

3A/25V/340kHz Synchronous Buck Converter

General Description

The VP2123 is an efficiency and low-cost buck converter with integrated low $R_{DS(ON)}$ high-side 90m Ω and low-side 80m Ω MOSFET switches. It is capable of delivering 3A output current over a wide range of supplying voltage from 5V to 25V. With a simple voltage divider, the output voltage is easily adjustable from 0.922V to 15V.

Other features such as programmable soft-start, integrated Boot-Diode, total fault-free protection and 94% conversion efficiency at 5V/2A output make VP2123 ideally to be used in portable consumer electronics.

The VP2123 is available in popular SO-8P green package with exposed pad.

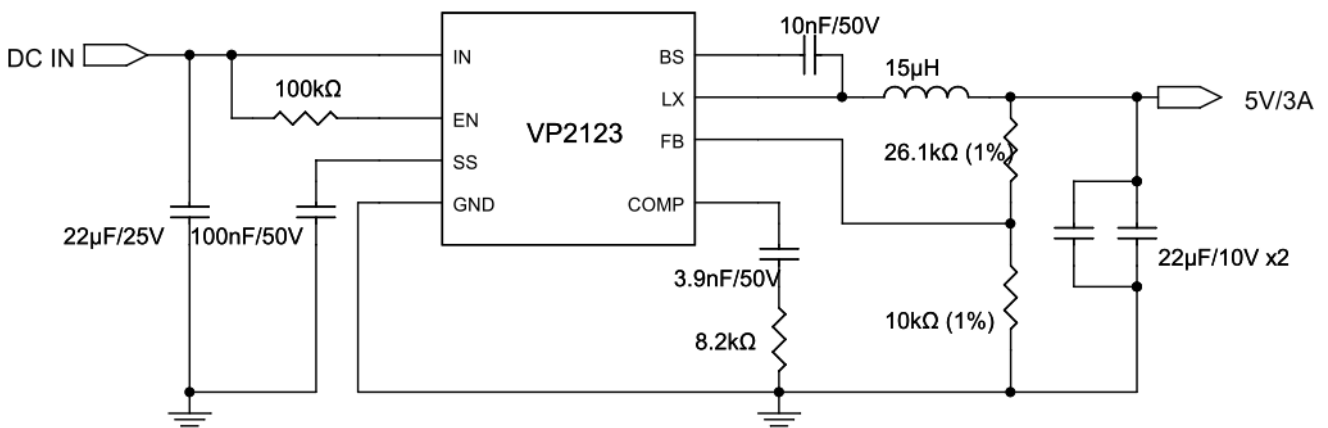
Features

- 5V to 25V Input Voltage Range
- Adjustable Output from 0.922V to 15V
- Continuous 3A Output Current
- Integrated 90m Ω /80m Ω MOSFET Switches
- 0.922V Voltage Reference with $\pm 2\%$ Accuracy
- 94% Conversion Efficiency at 5V/2A Output
- Programmable Soft-Start Function
- Low 1.1 mA Quiescent Current
- Fixed 340kHz Switching Frequency
- Adapted Current Mode PWM Operation
- Under Voltage Lock-Out Protection
- Over Voltage and Current Limit
- Over Temperature Protection
- RoHS 2.0 compliant SO-8P Green Package with Exposed Pad

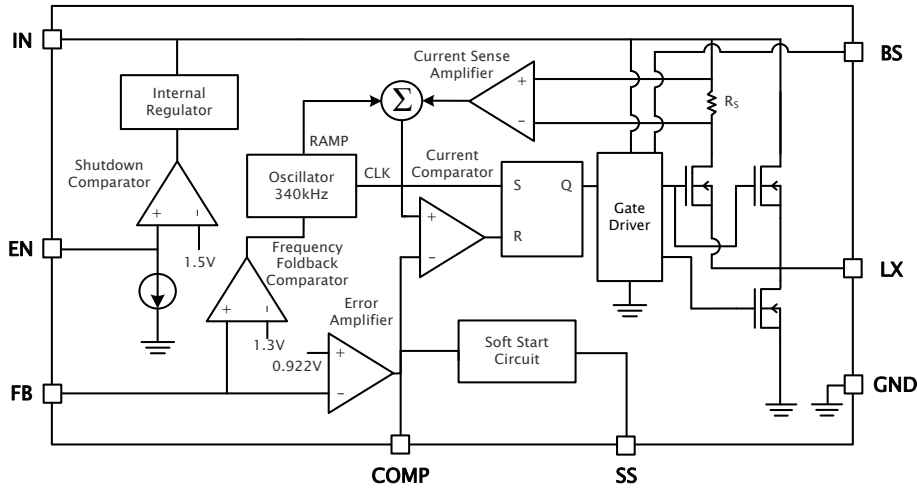
Applications

- Set-Top Box
- Networking Device
- LCD Monitor/ LCD TV

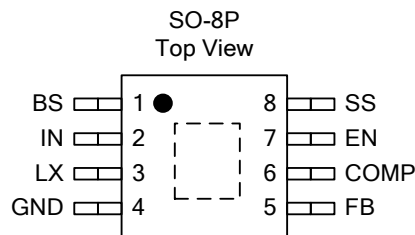
Typical Application



Functional Block Diagram



Pin Assignments And Descriptions



Pin No.	Pin	I/O/P	Function Description
1	BS	-	High-Side N Channel MOSFET Gate drive boost input. Connect at least 10nF capacitor from LX to BS to control the High-Side switch. Place the capacitor close to this pin if possible.
2	IN	P	Power Input. Drive IN with a 5V to 25V power source to activate the converter.
3	LX	O	Power Switching Output. LX is the switching node that supplies power to the output.
4	GND	P	Power ground.
5	FB	I	Feedback Input. FB monitors the output voltage to regulate that voltage. Use a voltage divider feedback from the output to drive FB pin.
6	COMP	-	Compensation Node. COMP is used to compensate the regulation control loop. Connect a series RC network from COMP to GND to compensate the regulation control loop. In some cases, an additional capacitor from COMP to GND is also permitted.
7	EN	I	Chip Enable. Pull EN high to enable the converter, pull it low to turn it off. Pull up with a 100kΩ resistor to start it up automatically.
8	SS	-	Soft-Start Control. SS controls the soft-start time. A 100nF capacitor sets the soft-start time to 15ms typically. Leave it floating would make soft-start time become very short.

Absolutely Maximum Ratings

Over operating free-air temperature range, unless otherwise specified (* 1)

Symbol	Parameter	Limit	Unit
V_{IN}	Supply voltage range	-0.3 to 28	V
V_{LX}	Switch voltage range	-1 to $V_{IN}+0.3$	V
V_{BS}	High side gate drive voltage range	$V_{LX}-0.3$ to $V_{LX}+6$	V
$V_{IN}(COMP, EN, FB, SS)$	Low voltage input range	-0.3 to 6	V
T_J	Operating junction temperature range	-40 to +160	°C
T_{STG}	Storage temperature range	-65 to 150	°C
Electrostatic discharge	Human body model	± 2	kV
Electrostatic discharge	Machine model	± 200	V
θ_{JC}	Thermal Resistance (Junction to Case)	10	°C/W
θ_{JA}	Thermal Resistance (Junction to Air)	50	°C/W

(*1): Stress beyond those listed at "absolute maximum rating" table may cause permanent damage to the device. These are stress rating ONLY. For functional operation are strongly recommend follow up "recommended operation conditions" table.

Recommended Operating Conditions

Symbol	Parameter	Specification		Unit
		Min	Max	
V_{IN}	Supply voltage	5	25	V
V_{OUT}	Output voltage	0.922	15	V
T_A	Operating free-air temperature range	-40	85	°C

Electrical Characteristics

$T_A = 25^\circ\text{C}$, $V_{IN} = 12\text{V}$, unless otherwise noted

Symbol	Parameter	Test Condition	Specification			Unit
			Min	Typ	Max	
I_{SD}	Shutdown supply current	$V_{EN}=0\text{V}$			25	μA
I_Q	Supply current	$V_{EN}=2.0\text{V}$, Non-Switching		1.1		mA
V_{UVLO}	Under voltage lockout			4.5		V
V_{REF}	Reference voltage	$4.5\text{V} \leq V_{IN} \leq 18\text{V}$	0.904	0.922	0.94	V
$R_{DS(ON)H}$	High-Side switch $R_{DS(ON)}$			90		m Ω
$R_{DS(ON)L}$	Low-Side switch $R_{DS(ON)}$			80		m Ω
I_{LKH}	High-Switch leakage current	$V_{EN}=0\text{V}$, $V_{LX}=0\text{V}$			10	μA
	Current limit		5			A
A_{EA}	Error amplifier voltage gain			480		V/V
G_{EA}	Error amplifier transconductance	$\Delta I_C = \pm 10\mu\text{A}$		800		μS
G_{CS}	COMP to current sense transconductance			4		S
f_{OSC}	Oscillation frequency			340		kHz
f_{OSC-SH}	Short circuit oscillation frequency	$V_{FB}=0\text{V}$		100		kHz
D_{MAX}	Maximum duty cycle	$V_{FB}=0.8\text{V}$		90		%
$t_{ON(min)}$	Minimum ON time			200		ns
	EN shutdown threshold voltage	V_{EN} rising		1.5		V
	EN input low current			0.1		μA
	Soft-Start time	$C_{SS}=100\text{nF}$		15		ms
	Thermal shutdown threshold			160		$^\circ\text{C}$
	Thermal shutdown hysteresis			20		$^\circ\text{C}$

Functional Descriptions

The VP2123 is a fixed frequency, current mode asynchronous buck converter. During normal operation, the internal MOSFET switch is controlled by the gate driver and dominates the duty cycle of the PWM waveform. While the switch is turned off, the inductor current flows through the external diode.

PWM Oscillation

The frequency of the internal oscillator is fixed at 340kHz. In case of short circuit (output/feedback voltage is zero), the frequency will be down to 100kHz to reduce the heat and minimize the power consumption.

Error Amplifier

The error amplifier compares the voltage of FB pin with the internal voltage reference V_{REF} . When the output current increases, the voltage of FB pin decreases and the error amplifier output will start to increase. This will force the gate driver to increase the duty cycle of the PWM waveform and raise the inductor current to compensate the output voltage drop.

Soft-Start

The VP2123 is capable of the soft-start function to avoid inrush current and prevent output voltage from overshooting during start-up period.

Chip Enable

The VP2123 has an EN pin to perform chip enable control. The regulator can be enabled and disabled by simply applying state logic values on EN pin. The precision values of the rising threshold is 1V and the falling threshold is 0.8V. Never leave the EN pin floating and make sure the value of the logic away from the voltage region of rising threshold and falling threshold.

Under-voltage Lockout

Under-voltage lockout (UVLO) is implemented to protect the internal gate driver away from uncertain state and lose the control of the MOSFET switch. UVLO threshold voltage is 4.5V typically.

Thermal Protection

Thermal shutdown is implemented to prevent the chip from operating at exceedingly high temperatures. When the silicon die temperature is higher than its upper threshold, it forces the whole chip entering shutdown state. When the temperature is lower than its lower threshold, it resumes the normal operation.

Output Voltage

In Figure 1, the output voltage can be set by the resistor network connected to the output voltage terminal and FB pin. The resistor network divides the output voltage down to the feedback voltage by the follow ratio:

$$V_{FB} = V_{OUT} \frac{R_2}{R_1 + R_2}$$

where V_{FB} is the feedback voltage, V_{OUT} is the output voltage.

Thus the output voltage can be obtained by the following equation:

$$V_{OUT} = V_{FB} \times \left(1 + \frac{R_1}{R_2}\right)$$

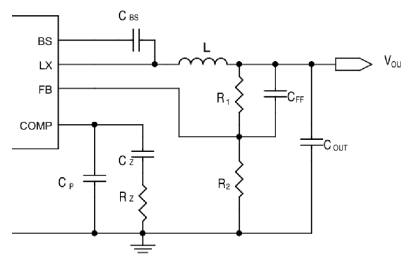


Figure 1. Output network of VP2123

Application Information

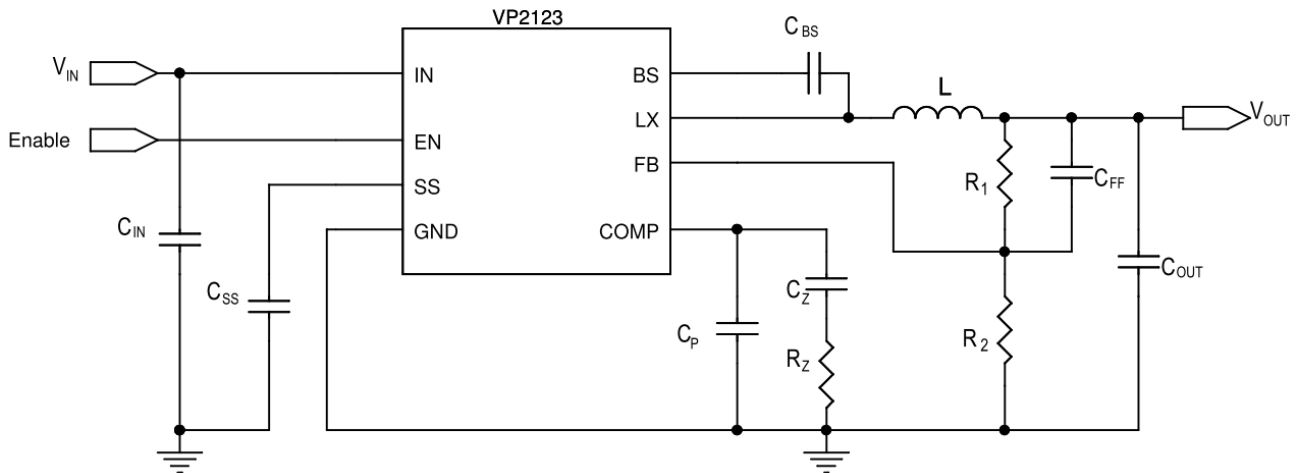


Figure 2. VP2123 typical application

Input Supply Voltage

V_{IN} supplies current to internal control circuits and output voltages. The supply voltage range is from 5V to 25V. A power on reset (POR) continuously monitors the input supply voltage. The buck converter draws pulsed current with sharp edges each time the upper switch turns on, resulting in voltage ripples and spikes at supply input. A minimum 22 μ F ceramic capacitor with shortest PCB trace is highly recommended for bypassing the supply input.

Output Voltage

The output voltage can be set by the resistor network connected to the output voltage terminal and FB pin. The resistor network divides the output voltage down to the feedback voltage by the follow ratio:

$$V_{FB} = V_{OUT} \frac{R_2}{R_1 + R_2}$$

where V_{FB} is the feedback voltage, V_{OUT} is the output voltage.

Thus the output voltage can be obtained by the following equation:

$$V_{OUT} = 0.922 \frac{R_1 + R_2}{R_2}$$

Applying the feed-forward capacitor (C_{FF}) could improve the frequency jitter of the output PWM waveform caused by the improper layout criteria. With good layout the capacitor should not be added. If the value of C_{FF} is too large (>1 nF), this capacitor will be almost transparent for lower frequency of spikes from output voltage and these noise could disturb the operation of the internal gate driver. The value of C_{FF} shall be lower than 1 nF.

Soft-Start

The VP2123 features programmable soft-start function to avoid the in-rush current from supply input. Soft-start capacitor shall be connected to SS pin as capacitor C_{SS} shown in Figure 2. Once the converter exits UVLO state or shutdown mode, such scheme will ramp up the output voltage slowly. It can be used to program the output voltage ramp speed by changing the value of the capacitor. For one 100 nF soft-start capacitor, the soft-start period is 15 ms typically.

Input Under Voltage Lockout

When the VP2123 is powered on and EN pin is also held high, the internal circuit will remain inactive until V_{IN} exceeds the input UVLO threshold voltage. This function assures the converter works properly

Application Information (cont.)

and protects the internal gate driver away from entering any unexpected state.

Short Circuit Protection

Once the output is shorted to ground, the protection circuit will be activated and the oscillation frequency will be reduced to lower frequency around 100kHz to prevent the inductor current increasing beyond the current limit. The PWM frequency will be back to its typical value 340kHz after the short condition is removed.

Over Temperature Protection

The VP2123 integrates the circuits to protect itself away from overheating. When junction temperature of the output driver reaches to threshold point like 160°C, the converter will enter the shutdown state and LX pin would be high impedance. The converter will resume only when the driver junction temperature drops more than 20°C from overheating threshold temperature.

Loop Compensation

The VP2123 employs current mode control to simplify the compensation and improve transient response. The loop stability and transient response are controlled through the COMP pin. The COMP pin is the output of the internal trans-conductance error amplifier.

Select the appropriate compensation value by following procedure:

1. Calculate the R_Z value with the following equation:

$$R_Z < \frac{2\pi \times C_{OUT} \times 0.1 \times f}{G_{EA} \times G_{CS}} \times \frac{V_{OUT}}{V_{FB}}$$

2. Calculate the C_Z value with the following equation:

$$C_Z < \frac{4}{2\pi \times R_Z \times 0.1 \times f}$$

3. Determine if the second compensation capacitor C_P is required. It is required if the ESR zero of the output capacitor is located at less than half of the switching frequency, or the following relationship holds:

$$\frac{1}{2\pi \times C_Z \times R_{ESR}} < \frac{f}{2}$$

Thus, the value of C_P can be calculated with the following equation:

$$C_P = \frac{C_Z \times R_{ESR}}{R_Z}$$

Inductor Selection

The value of the inductor affects the ripples of output voltage and must be carefully selected. In the same working condition, larger inductance value results in lower output ripple voltage but such inductor will be oversized, higher series resistance and lower saturation current. In most cases, it would be a good rule to keep peak-to-peak switching current ΔI_L to be approximate 30% of the maximum switching current. And it is necessary to assure the peak inductor current is under maximum switch current limit. Thus, the inductance can be calculated by the following equation:

$$L = \frac{V_{OUT}}{f \times \Delta I_L} \left(1 - \frac{V_{OUT}}{V_{IN}}\right)$$

where f is the switch frequency, L is the inductance.

Hence the maximum peak current limit of the inductor $I_{L(PEAK)}$ can be obtained by:

$$I_{L(PEAK)} = I_{LOAD} + \Delta I_L = \frac{V_{OUT}}{2f \times L} \left(1 - \frac{V_{OUT}}{V_{IN}}\right)$$

where I_{LOAD} is the maximum load current.

With the equations listed above, the inductance of inductor can be calculated easily. Actually, the

Application Information (cont.)

selection of the inductor is the compromise of the cost, size and desired electro-magnetic compatibility.

Input Capacitor Selection

The VP2123 requires an input decoupling capacitor and a bulk capacitor is needed depending on the application. A ceramic capacitor about 22μF is recommended for the decoupling capacitor. An additional 0.1μF speed-up capacitor near pin 2 to ground is good to provide additional high noise filtering. The capacitor voltage rating needs to be greater than the maximum input voltage.

Output Capacitor Selection

The output capacitor is required to stabilize the DC output voltage. Ceramic, tantalum, or low ESR electrolytic capacitors are recommended. If non-Low ESR electrolytic capacitors are used, limit the total value of the C_{OUT} lower than 470μF. Low ESR capacitors are preferred to keep the output voltage ripple low. The output voltage ripple can be estimated by:

$$\Delta V_{OUT} = \frac{I_{LOAD}}{f \times L} \left(1 - \frac{V_{OUT}}{V_{IN}}\right) \left(R_{ESR} + \frac{1}{8 \times f \times C_{OUT}}\right)$$

Where C_{OUT} is the output capacitance value and R_{ESR} is the equivalent series resistance (ESR) value of the output capacitor. In the case of ceramic capacitors, the impedance at the switching frequency is dominated by the capacitance. The output voltage ripple is mainly caused by the capacitance. For simplification, the output voltage ripple can be estimated by:

$$\Delta V_{OUT} = \frac{V_{OUT}}{8 \times f^2 \times L \times C_{OUT}} \left(1 - \frac{V_{OUT}}{V_{IN}}\right)$$

In the case of tantalum or electrolytic capacitors, the ESR dominates the impedance at the switching frequency. For simplification, the output ripple can be approximated to:

$$\Delta V_{OUT} = \frac{V_{OUT}}{f \times L} \left(1 - \frac{V_{OUT}}{V_{IN}}\right) R_{ESR}$$

The characteristics of the output capacitor also affect the stability of the regulation system. The VP2123 can be optimized for a wide range of capacitance and ESR values.

Boot-Strap Capacitor Selection

A 10nF ceramic capacitor must be connected between the BS pin to LX pin for proper operation. It is recommended to use a ceramic capacitor.

Application Information (cont.)

PCB Layout Guidelines

1. Keep the input switching current loop as small as possible.
2. Keep the LX pin as physically small and short as possible to minimize parasitic capacitance and inductance and to minimize radiated emissions.
3. Keep analog and non-switching components away from switching components.
4. Do not allow switching current to flow under the device.
5. Output capacitor should be connected to a broad pattern of the GND.
6. Voltage feedback loop should be as short as possible, and preferably with ground shield.
7. Extra via is preferable for IN, LX and GND connection.
8. C_{IN} / C_{OUT} should be placed as near as possible to the device.

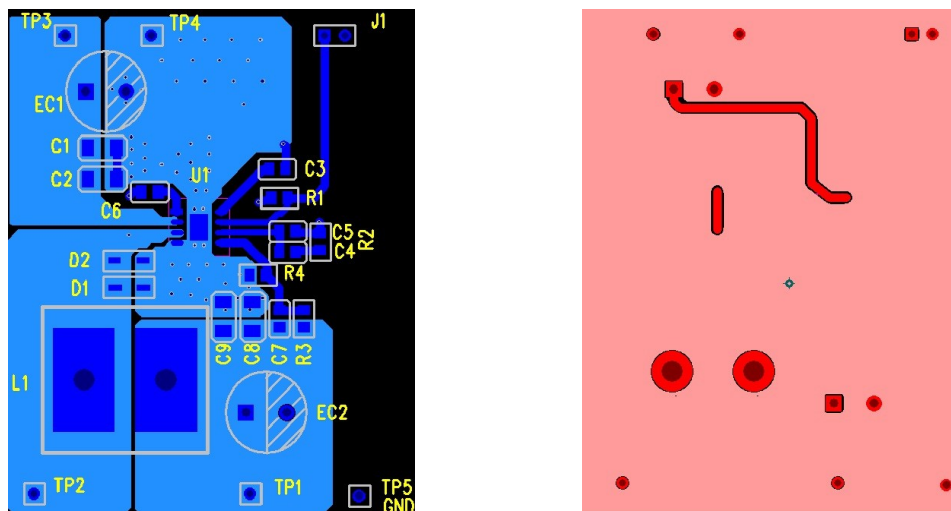


Figure 3. VP2123 reference evaluation board layout

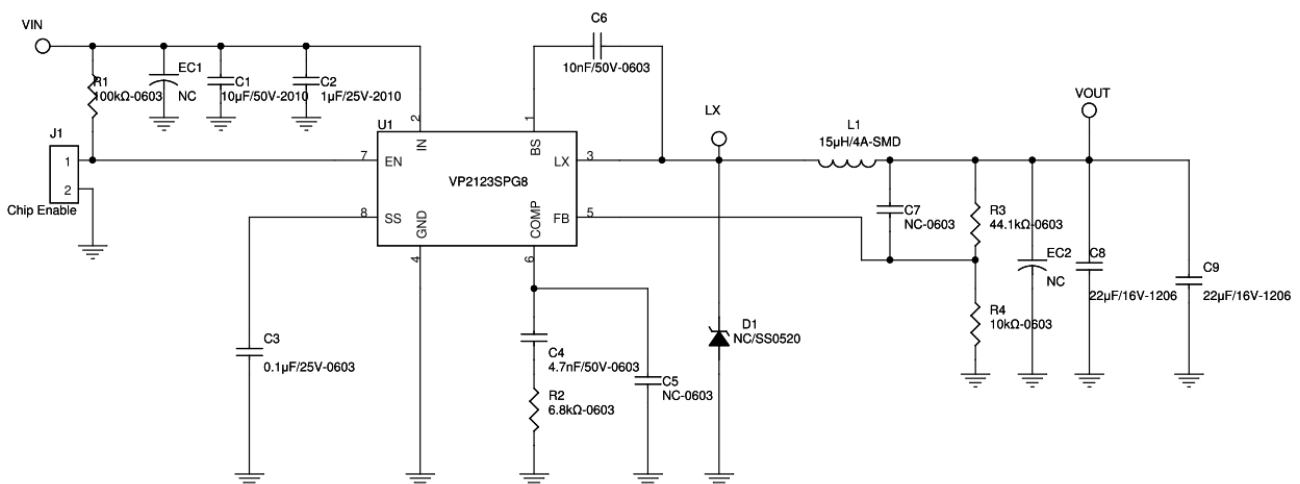
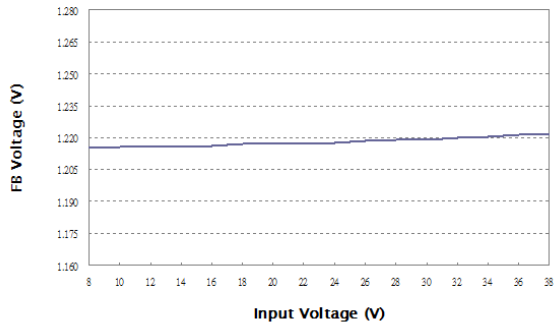


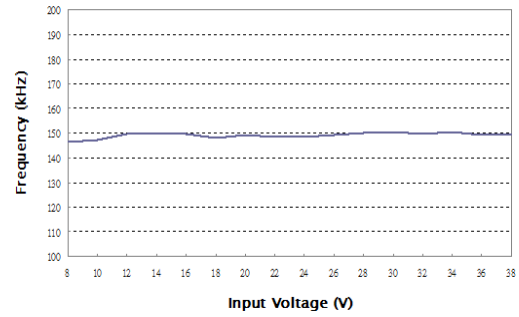
Figure 4. VP2123 reference evaluation board schematic

Typical Characteristics

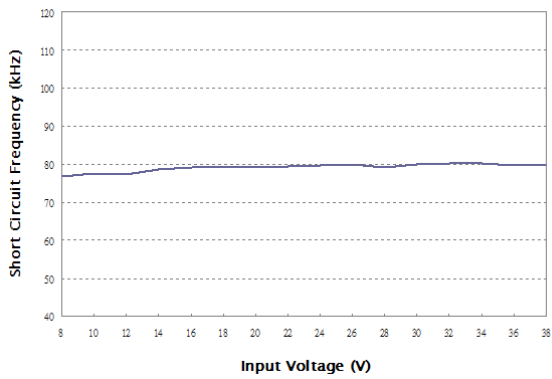
Feedback Voltage vs. Input Voltage



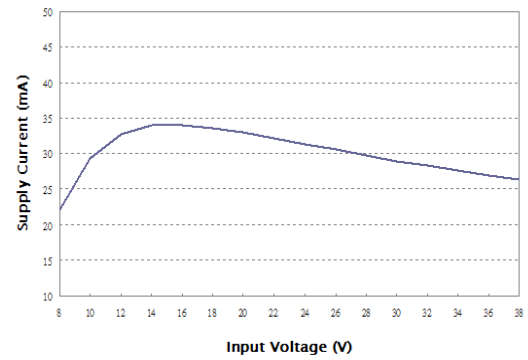
Frequency vs. Input Voltage



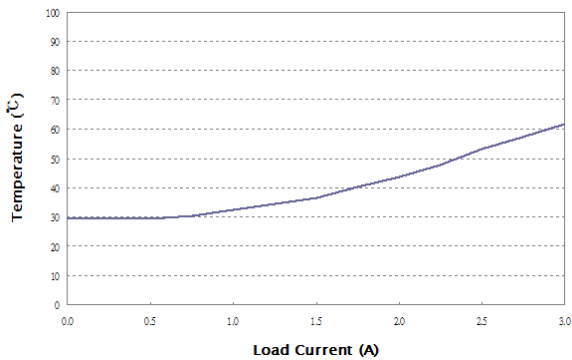
Short Circuit Frequency vs. Input Voltage



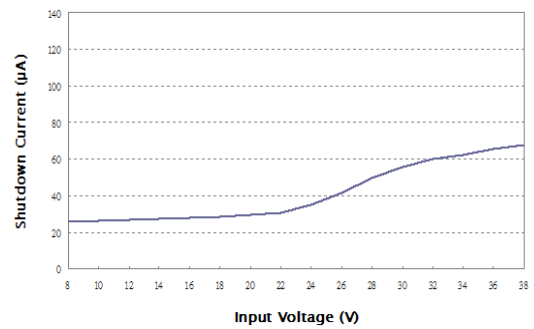
Supply Current vs. Input Voltage



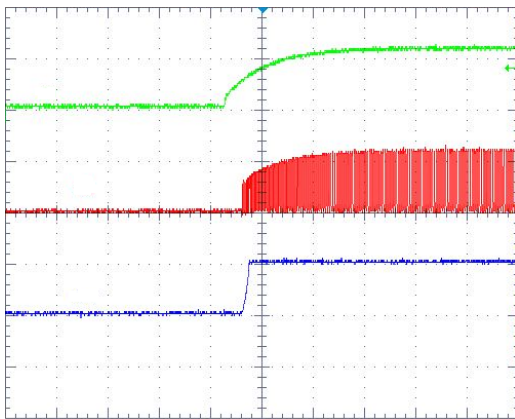
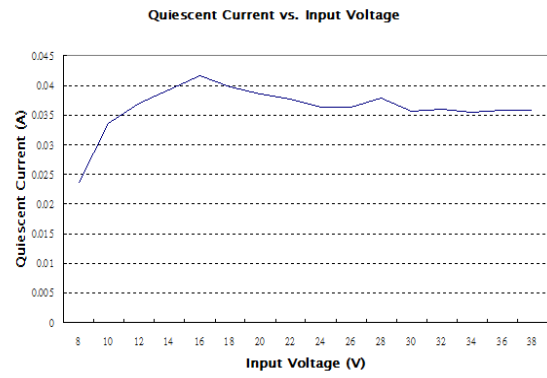
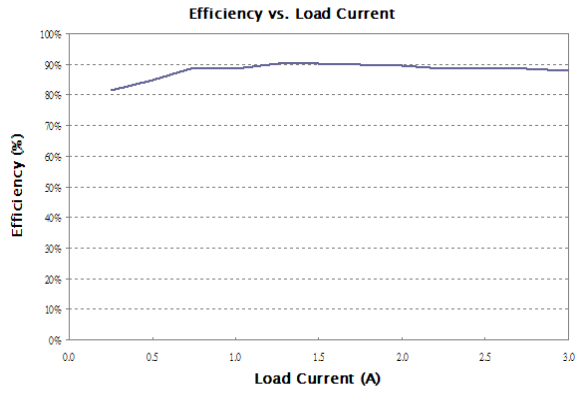
Thermal vs. Load Current



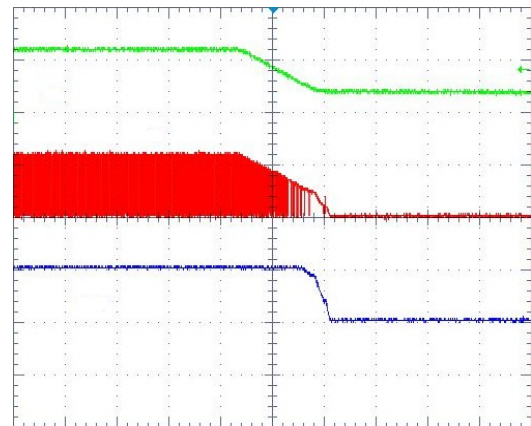
Shutdown Current vs. Input Voltage (µA)



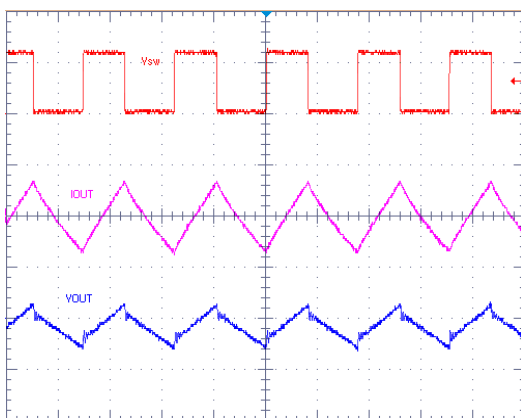
Typical Characteristics (cont.)



Start Up Waveform



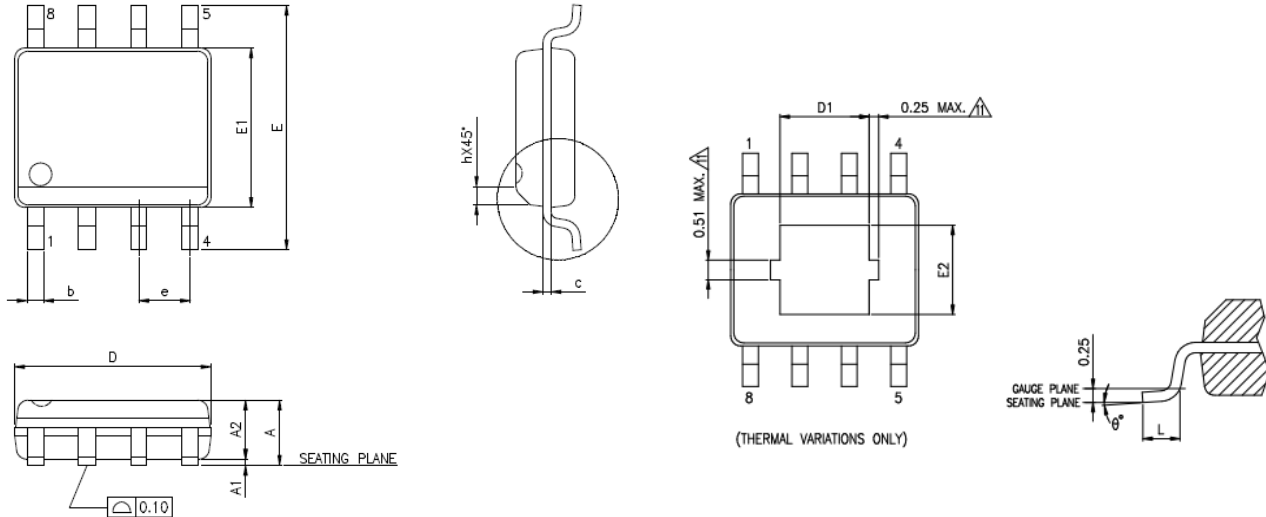
Shutdown Waveform



I-V vs. Switching Waveform

Package Information

SO-8P



Sym-bols	Standard		Thermal	
	Min.	Max.	Min.	Max.
A	-	1.75	-	1.70
A1	0.10	0.25	0.00	0.15
A2	1.25	-	1.25	-
b	0.31	0.51	0.31	0.51
c	0.10	0.25	0.10	0.25
D	4.90 BSC		4.90 BSC	
E	6.00 BSC		6.00 BSC	
E1	3.90 BSC		3.90 BSC	
e	1.27 BSC		1.27 BSC	
L	0.40	1.27	0.40	1.27
h	0.25	0.50	0.25	0.50
θ°	0	8	0	8

Thermal Enhanced Dimensions

Pad Size	E2		D1	
	Min.	Max.	Min.	Max.
90x90E	1.94	2.29	1.94	2.29
95x13E	2.05	2.41	2.81	3.30

Notes:

- Package Outline Unit Description:
 BSC: Basic. Represents theoretical exact dimension or dimension target.
 MIN: Minimum dimension specified.
 MAX: Maximum dimension specified.
 REF: Reference. Represents dimension for reference use only. This value is not a device specification.
 TYP: Typical. Provided as a general value. This value is not a device specification.
- Dimensions in Millimeters.
- JEDEC Outline : MS-012 AA Rev. F (Standard), MS-012 BA Rev. F (Thermal)
- Dimensions "D" does not include mold flash, protrusions or gate burrs. Mold flash, protrusions and gate burrs shall not exceed 0.51mm per side.
- Dimensions "E1" does not include inter-lead flash, or protrusions. Inter-lead flash and protrusions shall not exceed 0.25mm per side.



Contact Information

Viva Electronics Incorporated

10F-1, No. 32, Gaotie 2nd Rd., Zhubei City, Hsinchu County, Taiwan, R.O.C.

Tel: 886-3-6579508

Fax: 886-3-6579509

WWW: <http://www.viva-elec.com.tw>

Sales: sales@viva-elec.com.tw

FAE Support: fae@viva-elec.com.tw

IMPORTANT NOTICE

Viva Electronics Incorporated reserves the right to make changes without further notice to any products or specifications herein. Viva Electronics Incorporated does not assume any responsibility for use of any its products for any particular purpose, nor does Viva Electronics Incorporated assume any liability arising out of the application or use of any its products or circuits. Viva Electronics Incorporated does not convey any license under its patent rights or other rights nor the rights of others.