

HSF

NOTES:

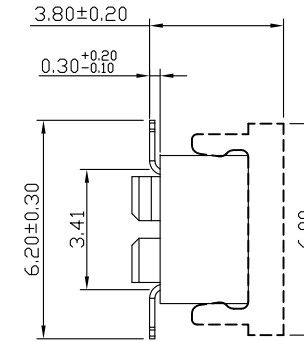
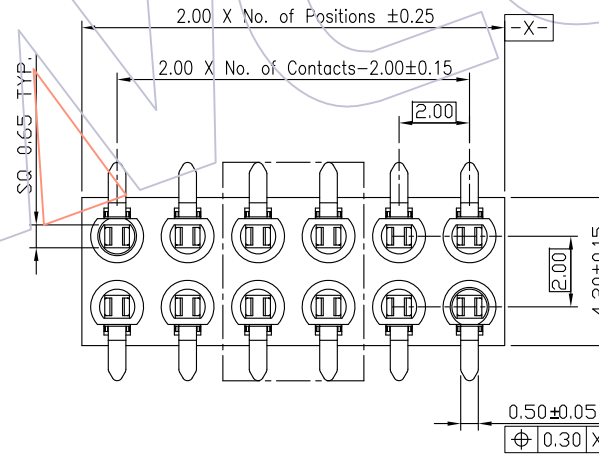
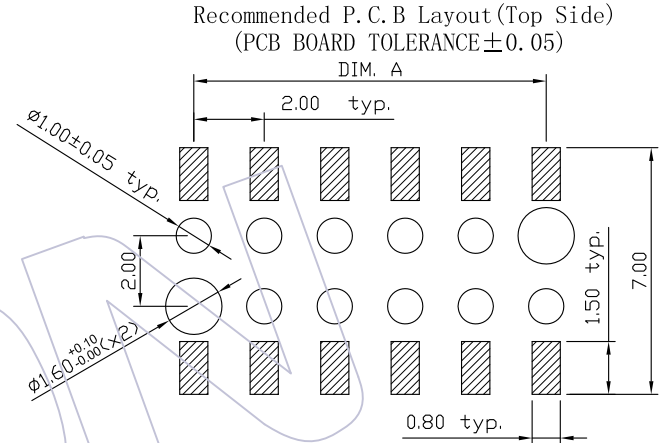
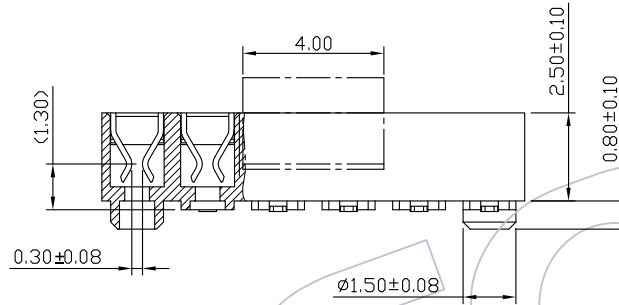
Current Rating: 2.0AMP
 Contact Resistance: 20mΩ Max
 Withstand Voltage: 500V AC/DC
 Insulation Resistance: 1000MΩ Min
 Operation Temperature: -40°C to +105°C

Contact Material: Phosphor Bronze
 Contact plating: Au over Ni
 Insulator Material: PA9T+33%G.F UL94V-0
 Cap Material: PA9T+33%G.F UL94V-0

Ordering Information

2228T-2 XX M XX CUN X 2

No. of Pins per Row: 02~22Pin	Contact Plating: G0=Gold Flash G3=10μ"Gold G4=15μ"Gold	Packing: R=Tape&Reel+CAP P=Tape+CAP T=Tape
-------------------------------	---	---



				OPERATION		DRAW		DATE		SCALE		FIT		PART NO.		 Http: www.wcon.com WCON-Dongguan Tel: +86 769 85358920 Fax: +86 769 85358915 E-mail: sales@wcon.com WCON-Kunshan Tel: +86 512 57468408 Fax: +86 512 57468468 E-mail: salesks@wcon.com	
				X.X ±0.40		Liu Hui		2016.07.10		UNIT		mm		2228T-2XXMXXCUNX2			
				X.XX ±0.25		CHECK		DATE		SIZE		A4		TITLE:			
				X.XXX ±0.15		APPROVE		DATE		SHEET		1/1		FH2.00mm DUAL ROW 180° SMT H=2.8 W=6.2			
REV	DATE	MODIFICATION DESCRIPTION		CHANGE	Angle	± 3'					PROJ.	Customer NO.					
					DIM	TOL											