

# NLHV4051, NLHV4052, NLHV4053

## Analog Multiplexers/Demultiplexers

The NLHV4051, NLHV4052, and NLHV4053 analog multiplexers are digitally-controlled analog switches. The NLHV4051 effectively implements an SP8T solid state switch, the NLHV4052 a DP4T, and the NLHV4053 a Triple SPDT. All three devices feature low ON impedance and very low OFF leakage current. Control of analog signals up to the complete supply voltage range can be achieved.

### Features

- Triple Diode Protection on Control Inputs
- Switch Function is Break Before Make
- Supply Voltage Range = 3.0 Vdc to 18 Vdc
- Analog Voltage Range ( $V_{DD} - V_{EE}$ ) = 3.0 to 18 V  
Note:  $V_{EE}$  must be  $\leq V_{SS}$
- Linearized Transfer Characteristics
- Low-noise –  $12 \text{ nV}/\sqrt{\text{Cycle}}$ ,  $f \geq 1.0 \text{ kHz}$  Typical
- Pin-for-Pin Replacement for CD4051, CD4052, and CD4053
- For 4PDT Switch, See MC14551B
- For Lower  $R_{ON}$ , Use the HC4051, HC4052, or HC4053 High-Speed CMOS Devices
- These Devices are Pb-Free and are RoHS Compliant

### MAXIMUM RATINGS (Voltages Referenced to $V_{SS}$ )

| Symbol                  | Parameter                                                                                                               | Value                  | Unit               |
|-------------------------|-------------------------------------------------------------------------------------------------------------------------|------------------------|--------------------|
| $V_{DD}$                | DC Supply Voltage Range (Referenced to $V_{EE}$ , $V_{SS} \geq V_{EE}$ )                                                | -0.5 to +18.0          | V                  |
| $V_{in}$ ,<br>$V_{out}$ | Input or Output Voltage Range (DC or Transient) (Referenced to $V_{SS}$ for Control Inputs and $V_{EE}$ for Switch I/O) | -0.5 to $V_{DD} + 0.5$ | V                  |
| $I_{in}$                | Input Current (DC or Transient) per Control Pin                                                                         | +10                    | mA                 |
| $I_{SW}$                | Switch Through Current                                                                                                  | $\pm 25$               | mA                 |
| $P_D$                   | Power Dissipation per Package (Note 1)                                                                                  | 500                    | mW                 |
| $T_A$                   | Ambient Temperature Range                                                                                               | -55 to +125            | $^{\circ}\text{C}$ |
| $T_{stg}$               | Storage Temperature Range                                                                                               | -65 to +150            | $^{\circ}\text{C}$ |
| $T_L$                   | Lead Temperature (8-Second Soldering)                                                                                   | 260                    | $^{\circ}\text{C}$ |

Stresses exceeding those listed in the Maximum Ratings table may damage the device. If any of these limits are exceeded, device functionality should not be assumed, damage may occur and reliability may be affected.

1. Temperature Derating: "D/DW" Packages:  $-7.0 \text{ mW}/^{\circ}\text{C}$  From  $65^{\circ}\text{C}$  To  $125^{\circ}\text{C}$

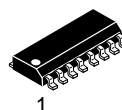
This device contains protection circuitry to guard against damage due to high static voltages or electric fields. However, precautions must be taken to avoid applications of any voltage higher than maximum rated voltages to this high-impedance circuit. For proper operation,  $V_{in}$  and  $V_{out}$  should be constrained to the range  $V_{SS} \leq (V_{in} \text{ or } V_{out}) \leq V_{DD}$ .

Unused inputs must always be tied to an appropriate logic voltage level (e.g., either  $V_{SS}$ ,  $V_{EE}$  or  $V_{DD}$ ). Unused outputs must be left open.

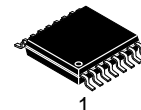


ON Semiconductor®

[www.onsemi.com](http://www.onsemi.com)

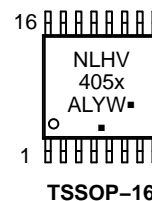
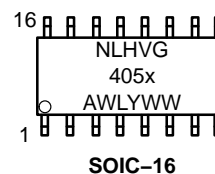


SOIC-16  
D SUFFIX  
CASE 751B



TSSOP-16  
DT SUFFIX  
CASE 948F

### MARKING DIAGRAMS



- x = 1, 2, or 3
- A = Assembly Location
- WL, L = Wafer Lot
- Y = Year
- WW, W = Work Week
- G or ■ = Pb-Free Package

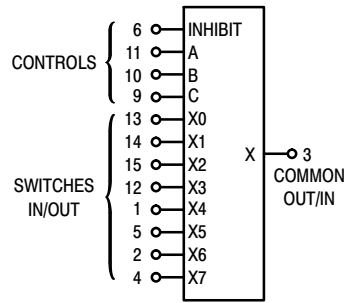
(Note: Microdot may be in either location)

### ORDERING INFORMATION

See detailed ordering and shipping information in the package dimensions section on page 9 of this data sheet.

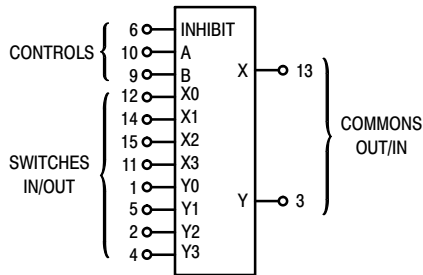
# NLHV4051, NLHV4052, NLHV4053

**NLHV4051**  
8-Channel Analog  
Multiplexer/Demultiplexer



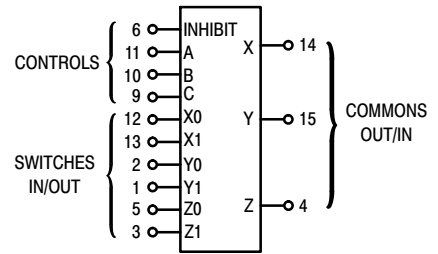
$V_{DD}$  = PIN 16  
 $V_{SS}$  = PIN 8  
 $V_{EE}$  = PIN 7

**NLHV4052**  
Dual 4-Channel Analog  
Multiplexer/Demultiplexer



$V_{DD}$  = PIN 16  
 $V_{SS}$  = PIN 8  
 $V_{EE}$  = PIN 7

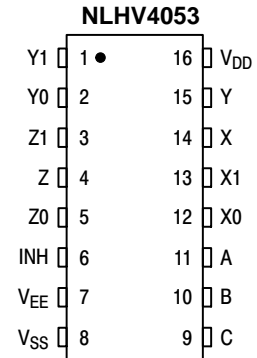
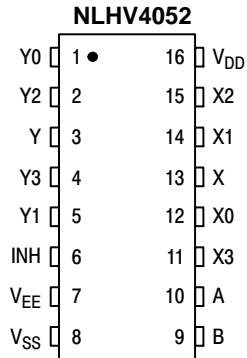
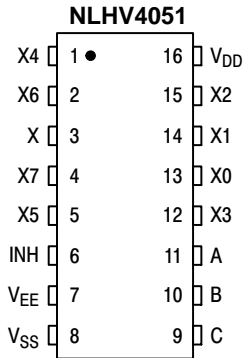
**NLHV4053**  
Triple 2-Channel Analog  
Multiplexer/Demultiplexer



$V_{DD}$  = PIN 16  
 $V_{SS}$  = PIN 8  
 $V_{EE}$  = PIN 7

Note: Control Inputs referenced to  $V_{SS}$ . Analog Inputs and Outputs reference to  $V_{EE}$ .  $V_{EE}$  must be  $\leq V_{SS}$ .

## PIN ASSIGNMENT



# NLHV4051, NLHV4052, NLHV4053

## ELECTRICAL CHARACTERISTICS

| Characteristic | Symbol | V <sub>DD</sub> | Test Conditions | -55°C |     | 25°C |                 |     | 125°C |     | Unit |
|----------------|--------|-----------------|-----------------|-------|-----|------|-----------------|-----|-------|-----|------|
|                |        |                 |                 | Min   | Max | Min  | Typ<br>(Note 2) | Max | Min   | Max |      |

### SUPPLY REQUIREMENTS (Voltages Referenced to V<sub>EE</sub>)

|                                                            |                    |                 |                                                                                                                                                                                            |             |                 |             |                         |                 |                                                                                                             |                   |    |    |
|------------------------------------------------------------|--------------------|-----------------|--------------------------------------------------------------------------------------------------------------------------------------------------------------------------------------------|-------------|-----------------|-------------|-------------------------|-----------------|-------------------------------------------------------------------------------------------------------------|-------------------|----|----|
| Power Supply Voltage Range                                 | V <sub>DD</sub>    | -               | V <sub>DD</sub> - 3.0 ≥ V <sub>SS</sub> ≥ V <sub>EE</sub>                                                                                                                                  | 3.0         | 18              | 3.0         | -                       | 18              | 3.0                                                                                                         | 18                | V  |    |
| Quiescent Current Per Package                              | I <sub>DD</sub>    | 5.0<br>10<br>15 | Control Inputs:<br>V <sub>in</sub> = V <sub>SS</sub> or V <sub>DD</sub> .<br>Switch I/O: V <sub>EE</sub> ≤ V <sub>I/O</sub> ≤ V <sub>DD</sub> , and ΔV <sub>switch</sub> ≤ 500 mV (Note 3) | -<br>-<br>- | 5.0<br>10<br>20 | -<br>-<br>- | 0.005<br>0.010<br>0.015 | 5.0<br>10<br>20 | -<br>-<br>-                                                                                                 | 150<br>300<br>600 | μA |    |
| Total Supply Current (Dynamic Plus Quiescent, Per Package) | I <sub>D(AV)</sub> | 5.0<br>10<br>15 | T <sub>A</sub> = 25°C only (The channel component, (V <sub>in</sub> - V <sub>out</sub> )/R <sub>on</sub> , is not included.)                                                               | Typical     |                 |             |                         |                 | (0.07 μA/kHz) f + I <sub>DD</sub><br>(0.20 μA/kHz) f + I <sub>DD</sub><br>(0.36 μA/kHz) f + I <sub>DD</sub> |                   |    | μA |

### CONTROL INPUTS — INHIBIT, A, B, C (Voltages Referenced to V<sub>SS</sub>)

|                          |                 |                 |                                                            |                  |                   |                  |                      |                   |                  |                   |    |
|--------------------------|-----------------|-----------------|------------------------------------------------------------|------------------|-------------------|------------------|----------------------|-------------------|------------------|-------------------|----|
| Low-Level Input Voltage  | V <sub>IL</sub> | 5.0<br>10<br>15 | R <sub>on</sub> = per spec,<br>I <sub>off</sub> = per spec | -<br>-<br>-      | 1.5<br>3.0<br>4.0 | -<br>-<br>-      | 2.25<br>4.50<br>6.75 | 1.5<br>3.0<br>4.0 | -<br>-<br>-      | 1.5<br>3.0<br>4.0 | V  |
| High-Level Input Voltage | V <sub>IH</sub> | 5.0<br>10<br>15 | R <sub>on</sub> = per spec,<br>I <sub>off</sub> = per spec | 3.5<br>7.0<br>11 | -<br>-<br>-       | 3.5<br>7.0<br>11 | 2.75<br>5.50<br>8.25 | -<br>-<br>-       | 3.5<br>7.0<br>11 | -<br>-<br>-       | V  |
| Input Leakage Current    | I <sub>in</sub> | 15              | V <sub>in</sub> = 0 or V <sub>DD</sub>                     | -                | ±0.1              | -                | ±0.00001             | ±0.1              | -                | 1.0               | μA |
| Input Capacitance        | C <sub>in</sub> | -               |                                                            | -                | -                 | -                | 5.0                  | 7.5               | -                | -                 | pF |

### SWITCHES IN/OUT AND COMMONS OUT/IN — X, Y, Z (Voltages Referenced to V<sub>EE</sub>)

|                                                                             |                      |                 |                                                                                                                                                            |             |                   |             |                  |                    |             |                    |                 |
|-----------------------------------------------------------------------------|----------------------|-----------------|------------------------------------------------------------------------------------------------------------------------------------------------------------|-------------|-------------------|-------------|------------------|--------------------|-------------|--------------------|-----------------|
| Recommended Peak-to-Peak Voltage Into or Out of the Switch                  | V <sub>I/O</sub>     | -               | Channel On or Off                                                                                                                                          | 0           | V <sub>DD</sub>   | 0           | -                | V <sub>DD</sub>    | 0           | V <sub>DD</sub>    | V <sub>PP</sub> |
| Recommended Static or Dynamic Voltage Across the Switch (Note 3) (Figure 5) | ΔV <sub>switch</sub> | -               | Channel On                                                                                                                                                 | 0           | 600               | 0           | -                | 600                | 0           | 300                | mV              |
| Output Offset Voltage                                                       | V <sub>OO</sub>      | -               | V <sub>in</sub> = 0 V, No Load                                                                                                                             | -           | -                 | -           | 10               | -                  | -           | -                  | μV              |
| ON Resistance                                                               | R <sub>on</sub>      | 5.0<br>10<br>15 | ΔV <sub>switch</sub> ≤ 500 mV (Note 3) V <sub>in</sub> = V <sub>IL</sub> or V <sub>IH</sub> (Control), and V <sub>in</sub> = 0 to V <sub>DD</sub> (Switch) | -<br>-<br>- | 800<br>400<br>220 | -<br>-<br>- | 250<br>120<br>80 | 1050<br>500<br>280 | -<br>-<br>- | 1200<br>520<br>300 | Ω               |
| ΔON Resistance Between Any Two Channels in the Same Package                 | ΔR <sub>on</sub>     | 5.0<br>10<br>15 |                                                                                                                                                            | -<br>-<br>- | 70<br>50<br>45    | -<br>-<br>- | 25<br>10<br>10   | 70<br>50<br>45     | -<br>-<br>- | 135<br>95<br>65    | Ω               |
| Off-Channel Leakage Current (Figure 10)                                     | I <sub>off</sub>     | 15              | V <sub>in</sub> = V <sub>IL</sub> or V <sub>IH</sub> (Control) Channel to Channel or Any One Channel                                                       | -           | ±100              | -           | ±0.05            | ±100               | -           | ±1000              | nA              |
| Capacitance, Switch I/O                                                     | C <sub>I/O</sub>     | -               | Inhibit = V <sub>DD</sub>                                                                                                                                  | -           | -                 | -           | 10               | -                  | -           | -                  | pF              |
| Capacitance, Common O/I                                                     | C <sub>O/I</sub>     | -               | Inhibit = V <sub>DD</sub> (NLHV4051)<br>(NLHV4052)<br>(NLHV4053)                                                                                           | -<br>-<br>- | -<br>-<br>-       | -<br>-<br>- | 60<br>32<br>17   | -<br>-<br>-        | -<br>-<br>- | -<br>-<br>-        | pF              |
| Capacitance, Feedthrough (Channel Off)                                      | C <sub>I/O</sub>     | -<br>-          | Pins Not Adjacent<br>Pins Adjacent                                                                                                                         | -<br>-      | -<br>-            | -<br>-      | 0.15<br>0.47     | -<br>-             | -<br>-      | -<br>-             | pF              |

Product parametric performance is indicated in the Electrical Characteristics for the listed test conditions, unless otherwise noted. Product performance may not be indicated by the Electrical Characteristics if operated under different conditions.

2. Data labeled "Typ" is not to be used for design purposes, but is intended as an indication of the IC's potential performance.

3. For voltage drops across the switch (ΔV<sub>switch</sub>) > 600 mV (> 300 mV at high temperature), excessive V<sub>DD</sub> current may be drawn, i.e. the current out of the switch may contain both V<sub>DD</sub> and switch input components. The reliability of the device will be unaffected unless the Maximum Ratings are exceeded. (See first page of this data sheet.)

# NLHV4051, NLHV4052, NLHV4053

## ELECTRICAL CHARACTERISTICS (Note 4) ( $C_L = 50 \text{ pF}$ , $T_A = 25^\circ\text{C}$ ) ( $V_{EE} \leq V_{SS}$ unless otherwise indicated)

| Characteristic                                                                                                                                                                                                                                                                                                                                                                                                                                                                                                                                                                                                                                                                                                                                            | Symbol                                    | $V_{DD} - V_{EE}$<br>Vdc | Typ (Note 5)<br>All Types | Max | Unit |
|-----------------------------------------------------------------------------------------------------------------------------------------------------------------------------------------------------------------------------------------------------------------------------------------------------------------------------------------------------------------------------------------------------------------------------------------------------------------------------------------------------------------------------------------------------------------------------------------------------------------------------------------------------------------------------------------------------------------------------------------------------------|-------------------------------------------|--------------------------|---------------------------|-----|------|
| Propagation Delay Times (Figure 6)<br>Switch Input to Switch Output ( $R_L = 1 \text{ k}\Omega$ )<br>NLHV4051<br>$t_{PLH}, t_{PHL} = (0.17 \text{ ns/pF}) C_L + 26.5 \text{ ns}$<br>$t_{PLH}, t_{PHL} = (0.08 \text{ ns/pF}) C_L + 11 \text{ ns}$<br>$t_{PLH}, t_{PHL} = (0.06 \text{ ns/pF}) C_L + 9.0 \text{ ns}$<br>NLHV4052<br>$t_{PLH}, t_{PHL} = (0.17 \text{ ns/pF}) C_L + 21.5 \text{ ns}$<br>$t_{PLH}, t_{PHL} = (0.08 \text{ ns/pF}) C_L + 8.0 \text{ ns}$<br>$t_{PLH}, t_{PHL} = (0.06 \text{ ns/pF}) C_L + 7.0 \text{ ns}$<br>NLHV4053<br>$t_{PLH}, t_{PHL} = (0.17 \text{ ns/pF}) C_L + 16.5 \text{ ns}$<br>$t_{PLH}, t_{PHL} = (0.08 \text{ ns/pF}) C_L + 4.0 \text{ ns}$<br>$t_{PLH}, t_{PHL} = (0.06 \text{ ns/pF}) C_L + 3.0 \text{ ns}$ | $t_{PLH}, t_{PHL}$                        | 5.0                      | 35                        | 90  | ns   |
|                                                                                                                                                                                                                                                                                                                                                                                                                                                                                                                                                                                                                                                                                                                                                           |                                           | 10                       | 15                        | 40  |      |
|                                                                                                                                                                                                                                                                                                                                                                                                                                                                                                                                                                                                                                                                                                                                                           |                                           | 15                       | 12                        | 30  |      |
|                                                                                                                                                                                                                                                                                                                                                                                                                                                                                                                                                                                                                                                                                                                                                           |                                           | 5.0                      | 30                        | 75  | ns   |
|                                                                                                                                                                                                                                                                                                                                                                                                                                                                                                                                                                                                                                                                                                                                                           |                                           | 10                       | 12                        | 30  |      |
|                                                                                                                                                                                                                                                                                                                                                                                                                                                                                                                                                                                                                                                                                                                                                           |                                           | 15                       | 10                        | 25  |      |
|                                                                                                                                                                                                                                                                                                                                                                                                                                                                                                                                                                                                                                                                                                                                                           |                                           | 5.0                      | 25                        | 65  | ns   |
|                                                                                                                                                                                                                                                                                                                                                                                                                                                                                                                                                                                                                                                                                                                                                           |                                           | 10                       | 8.0                       | 20  |      |
|                                                                                                                                                                                                                                                                                                                                                                                                                                                                                                                                                                                                                                                                                                                                                           |                                           | 15                       | 6.0                       | 15  |      |
| Inhibit to Output ( $R_L = 10 \text{ k}\Omega$ , $V_{EE} = V_{SS}$ )<br>Output "1" or "0" to High Impedance, or<br>High Impedance to "1" or "0" Level<br>NLHV4051<br><br>NLHV4052<br><br>NLHV4053                                                                                                                                                                                                                                                                                                                                                                                                                                                                                                                                                         | $t_{PHZ}, t_{PLZ},$<br>$t_{PZH}, t_{PZL}$ | 5.0                      | 350                       | 700 | ns   |
|                                                                                                                                                                                                                                                                                                                                                                                                                                                                                                                                                                                                                                                                                                                                                           |                                           | 10                       | 170                       | 340 |      |
|                                                                                                                                                                                                                                                                                                                                                                                                                                                                                                                                                                                                                                                                                                                                                           |                                           | 15                       | 140                       | 280 |      |
|                                                                                                                                                                                                                                                                                                                                                                                                                                                                                                                                                                                                                                                                                                                                                           |                                           | 5.0                      | 300                       | 600 | ns   |
|                                                                                                                                                                                                                                                                                                                                                                                                                                                                                                                                                                                                                                                                                                                                                           |                                           | 10                       | 155                       | 310 |      |
|                                                                                                                                                                                                                                                                                                                                                                                                                                                                                                                                                                                                                                                                                                                                                           |                                           | 15                       | 125                       | 250 |      |
|                                                                                                                                                                                                                                                                                                                                                                                                                                                                                                                                                                                                                                                                                                                                                           |                                           | 5.0                      | 275                       | 550 | ns   |
|                                                                                                                                                                                                                                                                                                                                                                                                                                                                                                                                                                                                                                                                                                                                                           |                                           | 10                       | 140                       | 280 |      |
|                                                                                                                                                                                                                                                                                                                                                                                                                                                                                                                                                                                                                                                                                                                                                           |                                           | 15                       | 110                       | 220 |      |
| Control Input to Output ( $R_L = 1 \text{ k}\Omega$ , $V_{EE} = V_{SS}$ )<br>NLHV4051<br><br>NLHV4052<br><br>NLHV4053                                                                                                                                                                                                                                                                                                                                                                                                                                                                                                                                                                                                                                     | $t_{PLH}, t_{PHL}$                        | 5.0                      | 360                       | 720 | ns   |
|                                                                                                                                                                                                                                                                                                                                                                                                                                                                                                                                                                                                                                                                                                                                                           |                                           | 10                       | 160                       | 320 |      |
|                                                                                                                                                                                                                                                                                                                                                                                                                                                                                                                                                                                                                                                                                                                                                           |                                           | 15                       | 120                       | 240 |      |
|                                                                                                                                                                                                                                                                                                                                                                                                                                                                                                                                                                                                                                                                                                                                                           |                                           | 5.0                      | 325                       | 650 | ns   |
|                                                                                                                                                                                                                                                                                                                                                                                                                                                                                                                                                                                                                                                                                                                                                           |                                           | 10                       | 130                       | 260 |      |
|                                                                                                                                                                                                                                                                                                                                                                                                                                                                                                                                                                                                                                                                                                                                                           |                                           | 15                       | 90                        | 180 |      |
|                                                                                                                                                                                                                                                                                                                                                                                                                                                                                                                                                                                                                                                                                                                                                           |                                           | 5.0                      | 300                       | 600 | ns   |
|                                                                                                                                                                                                                                                                                                                                                                                                                                                                                                                                                                                                                                                                                                                                                           |                                           | 10                       | 120                       | 240 |      |
|                                                                                                                                                                                                                                                                                                                                                                                                                                                                                                                                                                                                                                                                                                                                                           |                                           | 15                       | 80                        | 160 |      |
| Second Harmonic Distortion<br>( $R_L = 10 \text{ k}\Omega$ , $f = 1 \text{ kHz}$ ) $V_{in} = 5 V_{PP}$                                                                                                                                                                                                                                                                                                                                                                                                                                                                                                                                                                                                                                                    | –                                         | 10                       | 0.07                      | –   | %    |
| Bandwidth (Figure 7)<br>( $R_L = 50 \Omega$ , $V_{in} = 1/2 (V_{DD} - V_{EE})$ p-p, $C_L = 50 \text{ pF}$<br>$20 \text{ Log} (V_{out}/V_{in}) = -3 \text{ dB}$ )                                                                                                                                                                                                                                                                                                                                                                                                                                                                                                                                                                                          | BW                                        | 10                       | 17                        | –   | MHz  |
| Off Channel Feedthrough Attenuation (Figure 7)<br>$R_L = 1 \text{ k}\Omega$ , $V_{in} = 1/2 (V_{DD} - V_{EE})$ p-p<br>$f_{in} = 4.5 \text{ MHz}$ — NLHV4051<br>$f_{in} = 30 \text{ MHz}$ — NLHV4052<br>$f_{in} = 55 \text{ MHz}$ — NLHV4053                                                                                                                                                                                                                                                                                                                                                                                                                                                                                                               | –                                         | 10                       | –50                       | –   | dB   |
| Channel Separation (Figure 8)<br>( $R_L = 1 \text{ k}\Omega$ , $V_{in} = 1/2 (V_{DD} - V_{EE})$ p-p,<br>$f_{in} = 3.0 \text{ MHz}$ )                                                                                                                                                                                                                                                                                                                                                                                                                                                                                                                                                                                                                      | –                                         | 10                       | –50                       | –   | dB   |
| Crosstalk, Control Input to Common O/I (Figure 9)<br>( $R_1 = 1 \text{ k}\Omega$ , $R_L = 10 \text{ k}\Omega$<br>Control $t_{TLH} = t_{THL} = 20 \text{ ns}$ , Inhibit = $V_{SS}$ )                                                                                                                                                                                                                                                                                                                                                                                                                                                                                                                                                                       | –                                         | 10                       | 75                        | –   | mV   |

Product parametric performance is indicated in the Electrical Characteristics for the listed test conditions, unless otherwise noted. Product performance may not be indicated by the Electrical Characteristics if operated under different conditions.

4. The formulas given are for the typical characteristics only at  $25^\circ\text{C}$ .

5. Data labelled "Typ" is not to be used for design purposes but is intended as an indication of the IC's potential performance.

# NLHV4051, NLHV4052, NLHV4053

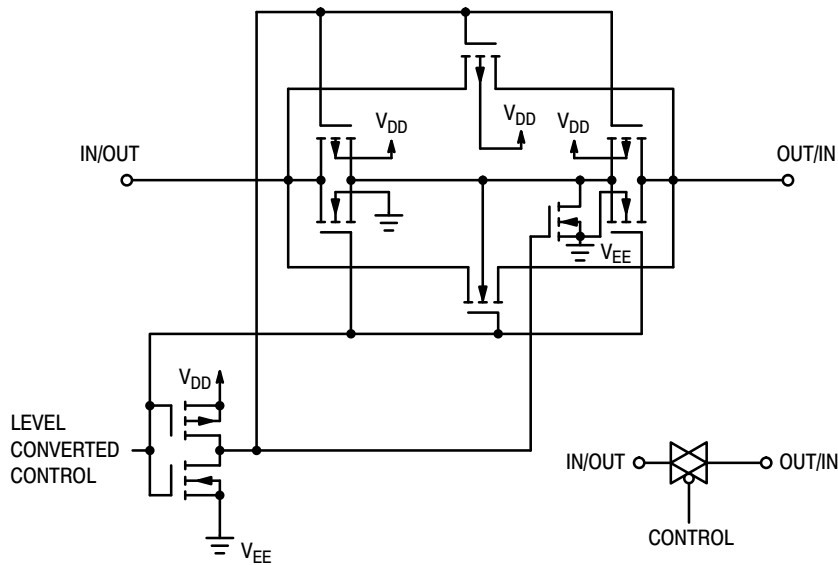


Figure 1. Switch Circuit Schematic

## TRUTH TABLE

| Control Inputs |        |      | ON Switches |          |          |
|----------------|--------|------|-------------|----------|----------|
| Inhibit        | Select |      | NLHV4051    | NLHV4052 | NLHV4053 |
|                | C*     | B A  |             |          |          |
| 0              | 0 0 0  | X0   | Y0 X0       | Z0 Y0 X0 |          |
| 0              | 0 0 1  | X1   | Y1 X1       | Z0 Y0 X1 |          |
| 0              | 0 1 0  | X2   | Y2 X2       | Z0 Y1 X0 |          |
| 0              | 0 1 1  | X3   | Y3 X3       | Z0 Y1 X1 |          |
| 0              | 1 0 0  | X4   |             | Z1 Y0 X0 |          |
| 0              | 1 0 1  | X5   |             | Z1 Y0 X1 |          |
| 0              | 1 1 0  | X6   |             | Z1 Y1 X0 |          |
| 0              | 1 1 1  | X7   |             | Z1 Y1 X1 |          |
| 1              | x x x  | None | None        | None     |          |

\*Not applicable for MC14052  
x = Don't Care

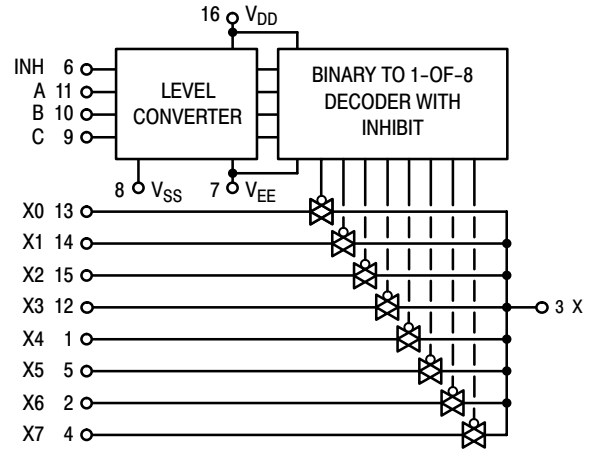


Figure 2. NLHV4051 Functional Diagram

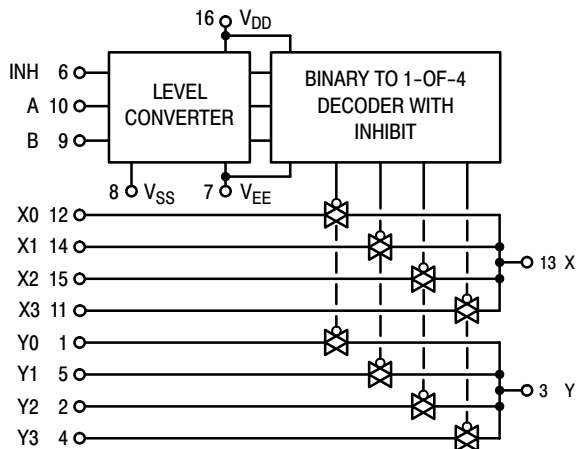


Figure 3. NLHV4052 Functional Diagram

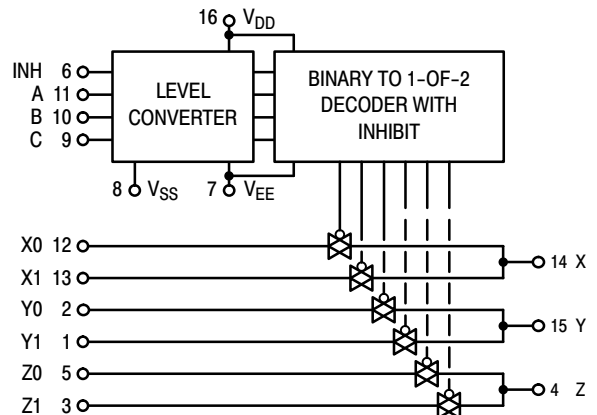
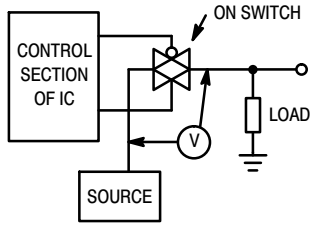


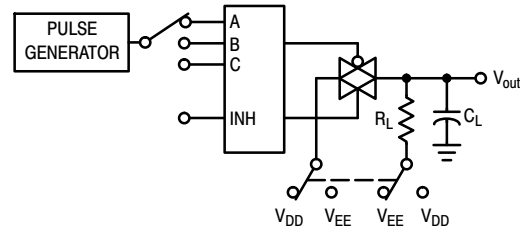
Figure 4. NLHV4053 Functional Diagram

# NLHV4051, NLHV4052, NLHV4053

## TEST CIRCUITS

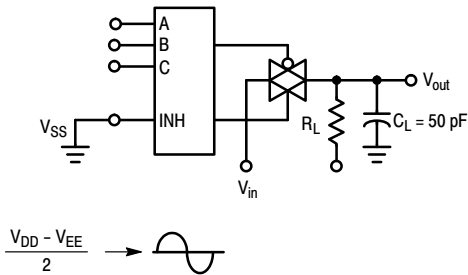


**Figure 5.  $\Delta V$  Across Switch**

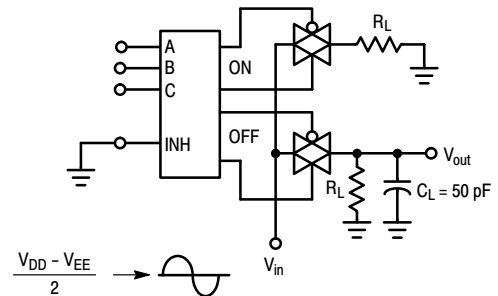


**Figure 6. Propagation Delay Times, Control and Inhibit to Output**

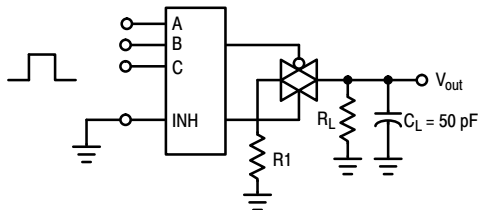
A, B, and C inputs used to turn ON or OFF the switch under test.



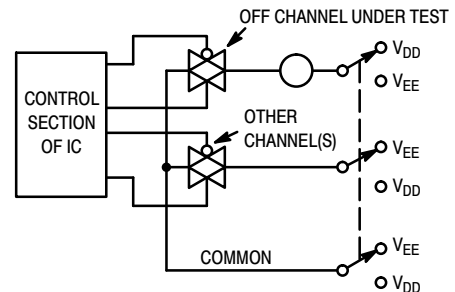
**Figure 7. Bandwidth and Off-Channel Feedthrough Attenuation**



**Figure 8. Channel Separation (Adjacent Channels Used For Setup)**



**Figure 9. Crosstalk, Control Input to Common O/I**



**Figure 10. Off Channel Leakage**

NOTE: See also Figures 7 and 8 in the MC14016B data sheet.

# NLHV4051, NLHV4052, NLHV4053

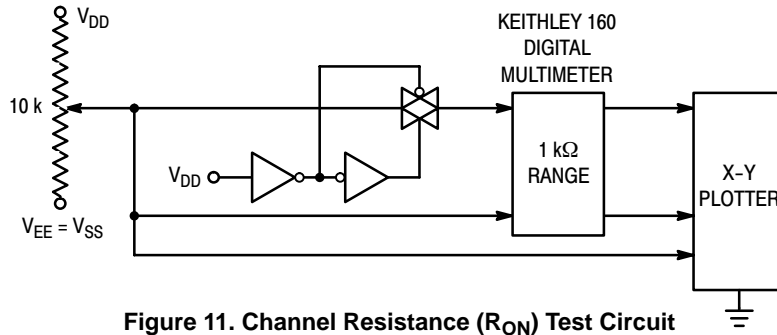


Figure 11. Channel Resistance ( $R_{ON}$ ) Test Circuit

## TYPICAL RESISTANCE CHARACTERISTICS

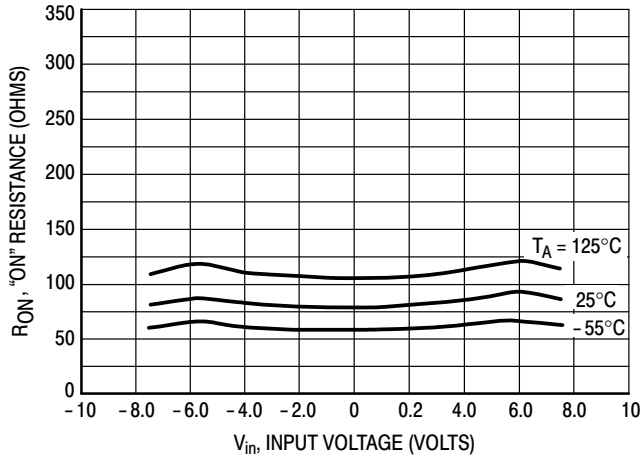


Figure 12.  $V_{DD} = 7.5\text{ V}$ ,  $V_{EE} = -7.5\text{ V}$

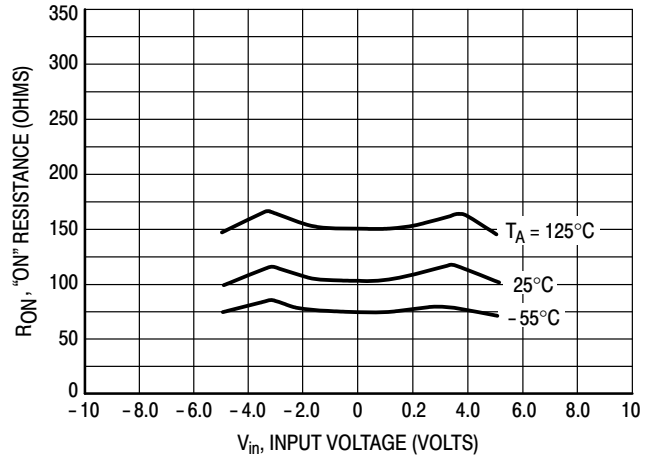


Figure 13.  $V_{DD} = 5.0\text{ V}$ ,  $V_{EE} = -5.0\text{ V}$

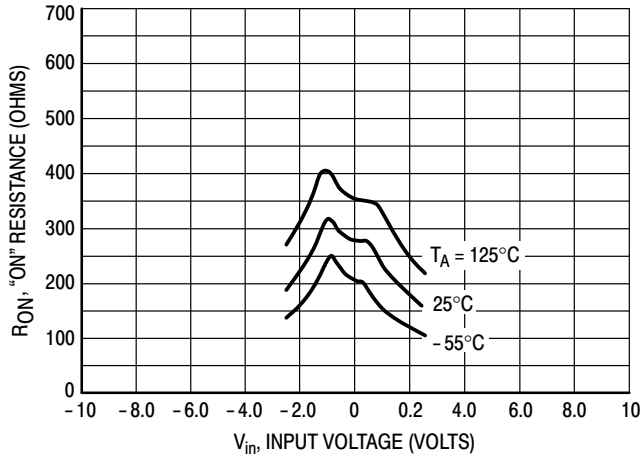


Figure 14.  $V_{DD} = 2.5\text{ V}$ ,  $V_{EE} = -2.5\text{ V}$

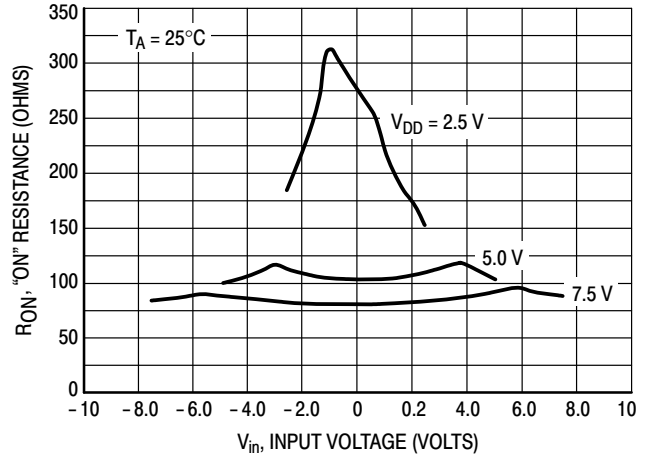


Figure 15. Comparison at  $25^\circ\text{C}$ ,  $V_{DD} = -V_{EE}$

# NLHV4051, NLHV4052, NLHV4053

## APPLICATIONS INFORMATION

Figure A illustrates use of the on-chip level converter detailed in Figures 2, 3, and 4. The 0-to-5 V Digital Control signal is used to directly control a 9 V<sub>p-p</sub> analog signal.

The digital control logic levels are determined by V<sub>DD</sub> and V<sub>SS</sub>. The V<sub>DD</sub> voltage is the logic high voltage; the V<sub>SS</sub> voltage is logic low. For the example, V<sub>DD</sub> = +5 V = logic high at the control inputs; V<sub>SS</sub> = GND = 0 V = logic low.

The maximum analog signal level is determined by V<sub>DD</sub> and V<sub>EE</sub>. The V<sub>DD</sub> voltage determines the maximum recommended peak above V<sub>SS</sub>. The V<sub>EE</sub> voltage determines the maximum swing below V<sub>SS</sub>. For the example, V<sub>DD</sub> - V<sub>SS</sub> = 5 V maximum swing above V<sub>SS</sub>; V<sub>SS</sub> - V<sub>EE</sub> = 5 V maximum swing below V<sub>SS</sub>. The example shows a ±4.5 V signal which allows a 1/2 volt margin at each

peak. If voltage transients above V<sub>DD</sub> and/or below V<sub>EE</sub> are anticipated on the analog channels, external diodes (D<sub>x</sub>) are recommended as shown in Figure B. These diodes should be small signal types able to absorb the maximum anticipated current surges during clipping.

The *absolute* maximum potential difference between V<sub>DD</sub> and V<sub>EE</sub> is 18.0 V. Most parameters are specified up to 15 V which is the *recommended* maximum difference between V<sub>DD</sub> and V<sub>EE</sub>.

Balanced supplies are not required. However, V<sub>SS</sub> must be greater than or equal to V<sub>EE</sub>. For example, V<sub>DD</sub> = +10 V, V<sub>SS</sub> = +5 V, and V<sub>EE</sub> = -3 V is acceptable. See the Table below.

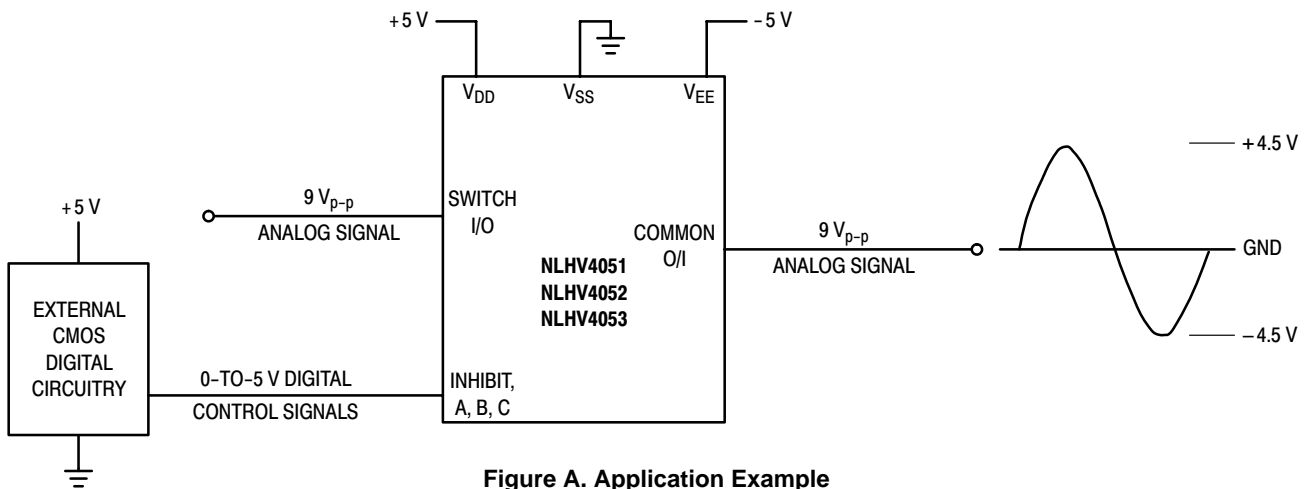


Figure A. Application Example

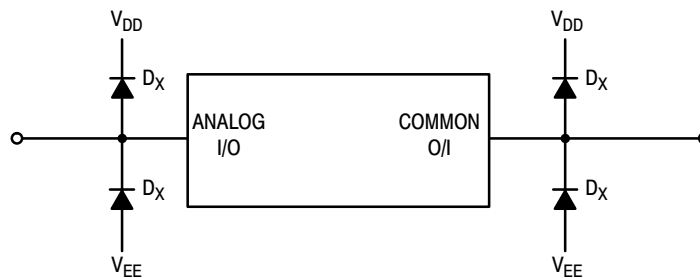


Figure B. External Germanium or Schottky Clipping Diodes

### POSSIBLE SUPPLY CONNECTIONS

| V <sub>DD</sub><br>In Volts | V <sub>SS</sub><br>In Volts | V <sub>EE</sub><br>In Volts | Control Inputs<br>Logic High/Logic Low<br>In Volts | Maximum Analog Signal Range<br>In Volts |
|-----------------------------|-----------------------------|-----------------------------|----------------------------------------------------|-----------------------------------------|
| +8                          | 0                           | -8                          | +8/0                                               | +8 to -8 = 16 V <sub>p-p</sub>          |
| +5                          | 0                           | -12                         | +5/0                                               | +5 to -12 = 17 V <sub>p-p</sub>         |
| +5                          | 0                           | 0                           | +5/0                                               | +5 to 0 = 5 V <sub>p-p</sub>            |
| +5                          | 0                           | -5                          | +5/0                                               | +5 to -5 = 10 V <sub>p-p</sub>          |
| +10                         | +5                          | -5                          | +10/+5                                             | +10 to -5 = 15 V <sub>p-p</sub>         |



## NLHV4051, NLHV4052, NLHV4053

### ORDERING INFORMATION

| Device                            | Package               | Shipping†          |
|-----------------------------------|-----------------------|--------------------|
| NLHV4051DR2G                      | SOIC-16<br>(Pb-Free)  | 2500 / Tape & Reel |
| NLHV4051DTR2G                     | TSSOP-16<br>(Pb-Free) | 2500 / Tape & Reel |
| NLHV4052DR2G                      | SOIC-16<br>(Pb-Free)  | 2500 / Tape & Reel |
| NLHV4052DTR2G                     | TSSOP-16<br>(Pb-Free) | 2500 / Tape & Reel |
| NLHV4053DR2G<br>(In Development)  | SOIC-16<br>(Pb-Free)  | 2500 / Tape & Reel |
| NLHV4053DTR2G<br>(In Development) | TSSOP-16<br>(Pb-Free) | 2500 / Tape & Reel |

†For information on tape and reel specifications, including part orientation and tape sizes, please refer to our Tape and Reel Packaging Specifications Brochure, BRD8011/D.

# MECHANICAL CASE OUTLINE PACKAGE DIMENSIONS

ON Semiconductor®



SCALE 1:1

## SOIC-16 CASE 751B-05 ISSUE K

DATE 29 DEC 2006



NOTES:

1. DIMENSIONING AND TOLERANCING PER ANSI Y14.5M, 1982.
2. CONTROLLING DIMENSION: MILLIMETER.
3. DIMENSIONS A AND B DO NOT INCLUDE MOLD PROTRUSION.
4. MAXIMUM MOLD PROTRUSION 0.15 (0.006) PER SIDE.
5. DIMENSION D DOES NOT INCLUDE DAMBAR PROTRUSION. ALLOWABLE DAMBAR PROTRUSION SHALL BE 0.127 (0.005) TOTAL IN EXCESS OF THE D DIMENSION AT MAXIMUM MATERIAL CONDITION.

| DIM | MILLIMETERS |       | INCHES    |       |
|-----|-------------|-------|-----------|-------|
|     | MIN         | MAX   | MIN       | MAX   |
| A   | 9.80        | 10.00 | 0.386     | 0.393 |
| B   | 3.80        | 4.00  | 0.150     | 0.157 |
| C   | 1.35        | 1.75  | 0.054     | 0.068 |
| D   | 0.35        | 0.49  | 0.014     | 0.019 |
| F   | 0.40        | 1.25  | 0.016     | 0.049 |
| G   | 1.27 BSC    |       | 0.050 BSC |       |
| J   | 0.19        | 0.25  | 0.008     | 0.009 |
| K   | 0.10        | 0.25  | 0.004     | 0.009 |
| M   | 0°          | 7°    | 0°        | 7°    |
| P   | 5.80        | 6.20  | 0.229     | 0.244 |
| R   | 0.25        | 0.50  | 0.010     | 0.019 |

- |                                                                                                                                                                                                                                                                                                                                                                |                                                                                                                                                                                                                                                                                                                                            |                                                                                                                                                                                                                                                                                                                                                                                                                                                                                            |                                                                                                                                                                                                                                                                                                                                                                                                    |
|----------------------------------------------------------------------------------------------------------------------------------------------------------------------------------------------------------------------------------------------------------------------------------------------------------------------------------------------------------------|--------------------------------------------------------------------------------------------------------------------------------------------------------------------------------------------------------------------------------------------------------------------------------------------------------------------------------------------|--------------------------------------------------------------------------------------------------------------------------------------------------------------------------------------------------------------------------------------------------------------------------------------------------------------------------------------------------------------------------------------------------------------------------------------------------------------------------------------------|----------------------------------------------------------------------------------------------------------------------------------------------------------------------------------------------------------------------------------------------------------------------------------------------------------------------------------------------------------------------------------------------------|
| <p>STYLE 1:</p> <p>PIN 1. COLLECTOR</p> <p>2. BASE</p> <p>3. EMITTER</p> <p>4. NO CONNECTION</p> <p>5. EMITTER</p> <p>6. BASE</p> <p>7. COLLECTOR</p> <p>8. COLLECTOR</p> <p>9. BASE</p> <p>10. EMITTER</p> <p>11. NO CONNECTION</p> <p>12. EMITTER</p> <p>13. BASE</p> <p>14. COLLECTOR</p> <p>15. EMITTER</p> <p>16. COLLECTOR</p>                           | <p>STYLE 2:</p> <p>PIN 1. CATHODE</p> <p>2. ANODE</p> <p>3. NO CONNECTION</p> <p>4. CATHODE</p> <p>5. CATHODE</p> <p>6. NO CONNECTION</p> <p>7. ANODE</p> <p>8. CATHODE</p> <p>9. CATHODE</p> <p>10. ANODE</p> <p>11. NO CONNECTION</p> <p>12. CATHODE</p> <p>13. CATHODE</p> <p>14. NO CONNECTION</p> <p>15. ANODE</p> <p>16. CATHODE</p> | <p>STYLE 3:</p> <p>PIN 1. COLLECTOR, DYE #1</p> <p>2. BASE, #1</p> <p>3. EMITTER, #1</p> <p>4. COLLECTOR, #1</p> <p>5. COLLECTOR, #2</p> <p>6. BASE, #2</p> <p>7. EMITTER, #2</p> <p>8. COLLECTOR, #2</p> <p>9. COLLECTOR, #3</p> <p>10. BASE, #3</p> <p>11. EMITTER, #3</p> <p>12. COLLECTOR, #3</p> <p>13. COLLECTOR, #4</p> <p>14. BASE, #4</p> <p>15. EMITTER, #4</p> <p>16. COLLECTOR, #4</p>                                                                                         | <p>STYLE 4:</p> <p>PIN 1. COLLECTOR, DYE #1</p> <p>2. COLLECTOR, #1</p> <p>3. COLLECTOR, #2</p> <p>4. COLLECTOR, #2</p> <p>5. COLLECTOR, #3</p> <p>6. COLLECTOR, #3</p> <p>7. COLLECTOR, #4</p> <p>8. COLLECTOR, #4</p> <p>9. BASE, #4</p> <p>10. EMITTER, #4</p> <p>11. BASE, #3</p> <p>12. EMITTER, #3</p> <p>13. BASE, #2</p> <p>14. EMITTER, #2</p> <p>15. BASE, #1</p> <p>16. EMITTER, #1</p> |
| <p>STYLE 5:</p> <p>PIN 1. DRAIN, DYE #1</p> <p>2. DRAIN, #1</p> <p>3. DRAIN, #2</p> <p>4. DRAIN, #2</p> <p>5. DRAIN, #3</p> <p>6. DRAIN, #3</p> <p>7. DRAIN, #4</p> <p>8. DRAIN, #4</p> <p>9. GATE, #4</p> <p>10. SOURCE, #4</p> <p>11. GATE, #3</p> <p>12. SOURCE, #3</p> <p>13. GATE, #2</p> <p>14. SOURCE, #2</p> <p>15. GATE, #1</p> <p>16. SOURCE, #1</p> | <p>STYLE 6:</p> <p>PIN 1. CATHODE</p> <p>2. CATHODE</p> <p>3. CATHODE</p> <p>4. CATHODE</p> <p>5. CATHODE</p> <p>6. CATHODE</p> <p>7. CATHODE</p> <p>8. CATHODE</p> <p>9. ANODE</p> <p>10. ANODE</p> <p>11. ANODE</p> <p>12. ANODE</p> <p>13. ANODE</p> <p>14. ANODE</p> <p>15. ANODE</p> <p>16. ANODE</p>                                 | <p>STYLE 7:</p> <p>PIN 1. SOURCE N-CH</p> <p>2. COMMON DRAIN (OUTPUT)</p> <p>3. COMMON DRAIN (OUTPUT)</p> <p>4. GATE P-CH</p> <p>5. COMMON DRAIN (OUTPUT)</p> <p>6. COMMON DRAIN (OUTPUT)</p> <p>7. COMMON DRAIN (OUTPUT)</p> <p>8. SOURCE P-CH</p> <p>9. SOURCE P-CH</p> <p>10. COMMON DRAIN (OUTPUT)</p> <p>11. COMMON DRAIN (OUTPUT)</p> <p>12. COMMON DRAIN (OUTPUT)</p> <p>13. GATE N-CH</p> <p>14. COMMON DRAIN (OUTPUT)</p> <p>15. COMMON DRAIN (OUTPUT)</p> <p>16. SOURCE N-CH</p> |                                                                                                                                                                                                                                                                                                                                                                                                    |

### SOLDERING FOOTPRINT



DIMENSIONS: MILLIMETERS

|                  |             |                                                                                                                                                                                     |
|------------------|-------------|-------------------------------------------------------------------------------------------------------------------------------------------------------------------------------------|
| DOCUMENT NUMBER: | 98ASB42566B | Electronic versions are uncontrolled except when accessed directly from the Document Repository.<br>Printed versions are uncontrolled except when stamped "CONTROLLED COPY" in red. |
| DESCRIPTION:     | SOIC-16     | PAGE 1 OF 1                                                                                                                                                                         |

ON Semiconductor and ON are trademarks of Semiconductor Components Industries, LLC dba ON Semiconductor or its subsidiaries in the United States and/or other countries. ON Semiconductor reserves the right to make changes without further notice to any products herein. ON Semiconductor makes no warranty, representation or guarantee regarding the suitability of its products for any particular purpose, nor does ON Semiconductor assume any liability arising out of the application or use of any product or circuit, and specifically disclaims any and all liability, including without limitation special, consequential or incidental damages. ON Semiconductor does not convey any license under its patent rights nor the rights of others.

# MECHANICAL CASE OUTLINE

## PACKAGE DIMENSIONS

ON Semiconductor®



TSSOP-16  
CASE 948F-01  
ISSUE B

DATE 19 OCT 2006

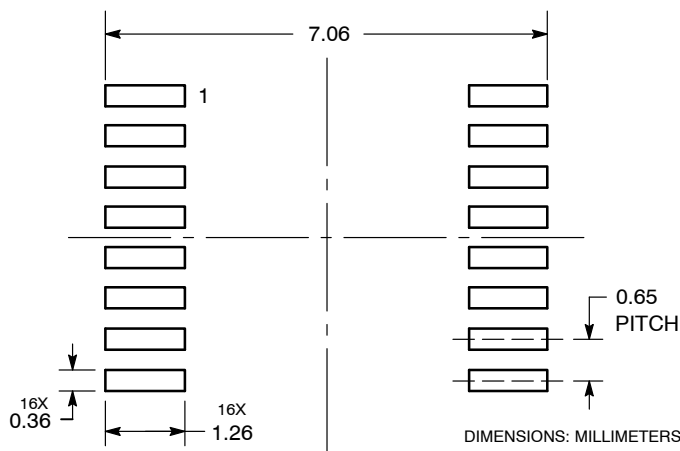


NOTES:

1. DIMENSIONING AND TOLERANCING PER ANSI Y14.5M, 1982.
2. CONTROLLING DIMENSION: MILLIMETER.
3. DIMENSION A DOES NOT INCLUDE MOLD FLASH. PROTRUSIONS OR GATE BURRS. MOLD FLASH OR GATE BURRS SHALL NOT EXCEED 0.15 (0.006) PER SIDE.
4. DIMENSION B DOES NOT INCLUDE INTERLEAD FLASH OR PROTRUSION. INTERLEAD FLASH OR PROTRUSION SHALL NOT EXCEED 0.25 (0.010) PER SIDE.
5. DIMENSION K DOES NOT INCLUDE DAMBAR PROTRUSION. ALLOWABLE DAMBAR PROTRUSION SHALL BE 0.08 (0.003) TOTAL IN EXCESS OF THE K DIMENSION AT MAXIMUM MATERIAL CONDITION.
6. TERMINAL NUMBERS ARE SHOWN FOR REFERENCE ONLY.
7. DIMENSION A AND B ARE TO BE DETERMINED AT DATUM PLANE -W-.

| DIM | MILLIMETERS |      | INCHES    |       |
|-----|-------------|------|-----------|-------|
|     | MIN         | MAX  | MIN       | MAX   |
| A   | 4.90        | 5.10 | 0.193     | 0.200 |
| B   | 4.30        | 4.50 | 0.169     | 0.177 |
| C   | ---         | 1.20 | ---       | 0.047 |
| D   | 0.05        | 0.15 | 0.002     | 0.006 |
| F   | 0.50        | 0.75 | 0.020     | 0.030 |
| G   | 0.65 BSC    |      | 0.026 BSC |       |
| H   | 0.18        | 0.28 | 0.007     | 0.011 |
| J   | 0.09        | 0.20 | 0.004     | 0.008 |
| J1  | 0.09        | 0.16 | 0.004     | 0.006 |
| K   | 0.19        | 0.30 | 0.007     | 0.012 |
| K1  | 0.19        | 0.25 | 0.007     | 0.010 |
| L   | 6.40 BSC    |      | 0.252 BSC |       |
| M   | 0°          | 8°   | 0°        | 8°    |

SOLDERING FOOTPRINT



GENERIC MARKING DIAGRAM\*



- XXXX = Specific Device Code
- A = Assembly Location
- L = Wafer Lot
- Y = Year
- W = Work Week
- G or ■ = Pb-Free Package

\*This information is generic. Please refer to device data sheet for actual part marking. Pb-Free indicator, "G" or microdot "■", may or may not be present.

|                  |             |                                                                                                                                                                                  |
|------------------|-------------|----------------------------------------------------------------------------------------------------------------------------------------------------------------------------------|
| DOCUMENT NUMBER: | 98ASH70247A | Electronic versions are uncontrolled except when accessed directly from the Document Repository. Printed versions are uncontrolled except when stamped "CONTROLLED COPY" in red. |
| DESCRIPTION:     | TSSOP-16    | PAGE 1 OF 1                                                                                                                                                                      |

ON Semiconductor and ON are trademarks of Semiconductor Components Industries, LLC dba ON Semiconductor or its subsidiaries in the United States and/or other countries. ON Semiconductor reserves the right to make changes without further notice to any products herein. ON Semiconductor makes no warranty, representation or guarantee regarding the suitability of its products for any particular purpose, nor does ON Semiconductor assume any liability arising out of the application or use of any product or circuit, and specifically disclaims any and all liability, including without limitation special, consequential or incidental damages. ON Semiconductor does not convey any license under its patent rights nor the rights of others.

ON Semiconductor and  are trademarks of Semiconductor Components Industries, LLC dba ON Semiconductor or its subsidiaries in the United States and/or other countries. ON Semiconductor owns the rights to a number of patents, trademarks, copyrights, trade secrets, and other intellectual property. A listing of ON Semiconductor's product/patent coverage may be accessed at [www.onsemi.com/site/pdf/Patent-Marking.pdf](http://www.onsemi.com/site/pdf/Patent-Marking.pdf). ON Semiconductor reserves the right to make changes without further notice to any products herein. ON Semiconductor makes no warranty, representation or guarantee regarding the suitability of its products for any particular purpose, nor does ON Semiconductor assume any liability arising out of the application or use of any product or circuit, and specifically disclaims any and all liability, including without limitation special, consequential or incidental damages. Buyer is responsible for its products and applications using ON Semiconductor products, including compliance with all laws, regulations and safety requirements or standards, regardless of any support or applications information provided by ON Semiconductor. "Typical" parameters which may be provided in ON Semiconductor data sheets and/or specifications can and do vary in different applications and actual performance may vary over time. All operating parameters, including "Typicals" must be validated for each customer application by customer's technical experts. ON Semiconductor does not convey any license under its patent rights nor the rights of others. ON Semiconductor products are not designed, intended, or authorized for use as a critical component in life support systems or any FDA Class 3 medical devices or medical devices with a same or similar classification in a foreign jurisdiction or any devices intended for implantation in the human body. Should Buyer purchase or use ON Semiconductor products for any such unintended or unauthorized application, Buyer shall indemnify and hold ON Semiconductor and its officers, employees, subsidiaries, affiliates, and distributors harmless against all claims, costs, damages, and expenses, and reasonable attorney fees arising out of, directly or indirectly, any claim of personal injury or death associated with such unintended or unauthorized use, even if such claim alleges that ON Semiconductor was negligent regarding the design or manufacture of the part. ON Semiconductor is an Equal Opportunity/Affirmative Action Employer. This literature is subject to all applicable copyright laws and is not for resale in any manner.

## PUBLICATION ORDERING INFORMATION

### LITERATURE FULFILLMENT:

Email Requests to: [orderlit@onsemi.com](mailto:orderlit@onsemi.com)

ON Semiconductor Website: [www.onsemi.com](http://www.onsemi.com)

### TECHNICAL SUPPORT

North American Technical Support:  
Voice Mail: 1 800-282-9855 Toll Free USA/Canada  
Phone: 011 421 33 790 2910

### Europe, Middle East and Africa Technical Support:

Phone: 00421 33 790 2910

For additional information, please contact your local Sales Representative