

# NLHV3157N

## Negative Voltage SPDT Switch

The NLHV3157N is an advanced CMOS analog switch fabricated with silicon gate CMOS technology. The device passes analog and digital negative voltages that may vary across the full power-supply range (from  $V_{EE}$  to GND).

### Features

- Operating Voltage Range:  $V_{EE} = -12\text{ V}$  to  $-4\text{ V}$
- Switch Signal Voltage Range:  $V_{IS} = V_{EE}$  to GND
- Positive Control Signal Voltage:  $V_{IN} = 0$  to  $3.3\text{ V}$
- Low ON Resistance:  $R_{ON} \leq 5\ \Omega$  @  $V_{EE} = -10\text{ V}$
- Latch-up Performance Exceeds  $200\text{ mA}$
- Available in: SC88 6-Pin Package
- These Devices are Pb-Free, Halogen-Free/BFR-Free and are RoHS-Compliant

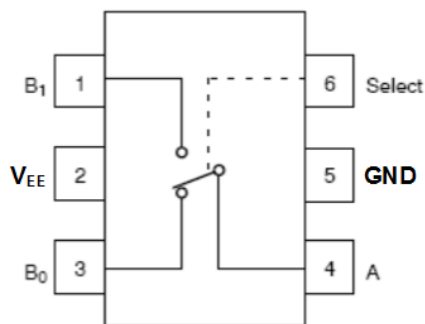


Figure 1. Pin Assignment and logic Diagram



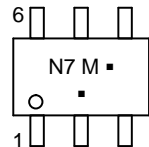
**ON Semiconductor®**

[www.onsemi.com](http://www.onsemi.com)

### MARKING DIAGRAM



**SC-88  
DF SUFFIX  
CASE 419B**



N7 = Device Code  
M = Date Code\*  
■ = Pb-Free Package

(Note: Microdot may be in either location)

\*Date Code orientation and/or position may vary depending upon manufacturing location.

### FUNCTION TABLE

Select Input	Function
L	B0 Connected to A
H	B1 Connected to A

### ORDERING INFORMATION

Device	Package	Shipping†
NLHV3157NDFT2G	SC88 (Pb-Free)	3000 / Tape & Reel

†For information on tape and reel specifications, including part orientation and tape sizes, please refer to our Tape and Reel Packaging Specification Brochure, BRD8011/D.

# NLHV3157N

## MAXIMUM RATINGS

Symbol	Rating	Value	Unit	
$V_{EE}$	DC Supply Voltage	-13 to +0.5	V	
$V_{IS}$	Analog Input Voltage (Note 1)	$V_{EE}-0.5$ to +0.5	V	
$V_{IN}$	Digital Select Input Voltage (Note 1)	-0.5 to +3.6	V	
$I_{IOK}$	Switch Input/Output diode current	$\pm 50$	mA	
$I_{IK}$	Select input diode current	-50	mA	
$P_D$	Power Dissipation in Still Air	60	mW	
$T_L$	Lead Temperature, 1 mm from Case for 10 seconds	260	$^{\circ}\text{C}$	
$T_J$	Junction Bias Under Bias	150	$^{\circ}\text{C}$	
MSL	Moisture Sensitivity	Level 1		
$F_R$	Flammability Rating	Oxygen Index: 30% – 35% UL94-V0 (0.125 in)	$^{\circ}\text{C}$	
$I_L$	Latch-up Current (Note1)	Below GND and above $V_{EE}$ at 125 $^{\circ}\text{C}$	$\pm 200$	mA
		Below GND and above $V_{EE}$ at 25 $^{\circ}\text{C}$	$\pm 300$	
$T_s$	Storage Temperature	-65 to +150	$^{\circ}\text{C}$	
$\theta_{JA}$	Thermal Resistance	400	$^{\circ}\text{C}/\text{W}$	
ESD	ESD Protection	Human Body Model	3000	V
		Machine Model	150	

Stresses exceeding those listed in the Maximum Ratings table may damage the device. If any of these limits are exceeded, device functionality should not be assumed, damage may occur and reliability may be affected.

1. The input and output voltage ratings may be exceeded if the input and output diode current ratings are observed.

## RECOMMENDED OPERATING CONDITIONS (Note 2)

Symbol	Parameter	Min	Max	Unit
$V_{EE}$	DC Supply Voltage	-12	-4	V
$V_S$	Switch Input / Output Voltage (B0, B1, A)	$V_{EE}$	GND	V
$V_{IN}$	Digital Select Input Voltage	GND	3.3	V
$T_A$	Operating Temperature Range	-55	+125	$^{\circ}\text{C}$
$t_r, t_f$	Input Transition Rise or Fall Time (Select Input)	0	100	ns/V

Functional operation above the stresses listed in the Recommended Operating Ranges is not implied. Extended exposure to stresses beyond the Recommended Operating Ranges limits may affect device reliability.

2. Select input must be held HIGH or LOW, it must not float.

# NLHV3157N

## DC ELECTRICAL CHARACTERISTICS (Voltages referenced to GND; Typical characteristics are $T_A$ at 25°C.)

Symbol	Parameter	Condition	$V_{EE}$ , V	-55° to 125°C			Unit
				Min	Typ	Max	
<b>SELECT INPUT</b>							
$V_{IH}$	Minimum High-Level Input Voltage		< -10	2.0		3.3	V
			-10 to < -8	1.8		3.3	
			-8 to < -6	1.7		3.3	
			$\geq -6$	1.4		3.3	
$V_{IL}$	Maximum Low-Level Input Voltage		< -10	0		0.7	V
			-10 to < -6	0		0.7	
			-8 to < -6	0		0.7	
			$\geq -6$	0		0.5	
$I_{IN}$	Maximum Input Leakage Current	$V_{IN} = 3.3$ V or GND	-10		$\pm 0.2$	$\pm 20$	$\mu$ A

### POWER SUPPLY

$I_{CC}$	Maximum Quiescent Supply Current	Select = 3.3 V or GND, $V_{IS} = V_{EE}$ or GND	-10 to -4		25	50	$\mu$ A
----------	----------------------------------	---	-----------	--	----	----	---------

### ANALOG SWITCH

$R_{ON}$	Maximum ON Resistance (Note 3)	$V_{IN} = V_{IL}$ or $V_{IH}$ $V_{IS} = V_{EE}$ to GND $I_O \leq 10$ mA	-12		2.6	4.5	$\Omega$
			-10		3.0	5	
			-8		3.5	5.8	
			-6		4.5	7.5	
		$V_{IN} = V_{IL}$ or $V_{IH}$ $V_{IS} = V_{EE}$ to GND $I_O \leq 5$ mA	-4		9	15	
$R_{FLAT}$	ON Resistance Flatness (Notes 3, 4, 6)	$V_{IN} = V_{IL}$ or $V_{IH}$ $V_{IS} = V_{EE}$ to GND $I_O \leq 10$ mA	-12		0.4		$\Omega$
			-10		1.2		
			-8		1.7		
			-6		2.5		
		$V_{IN} = V_{IL}$ or $V_{IH}$ $V_{IS} = V_{EE}$ to GND $I_O \leq 5$ mA	-4		6		
$\Delta R_{ON}$	$R_{ON}$ Mismatch Between (Notes 3, 4, 5)	$I_A = -10$ mA, $V_{Bn} = -8.4$ V	-12		0.2		$\Omega$
		$I_A = -10$ mA, $V_{Bn} = -7$ V	-10		0.2		
		$I_A = -10$ mA, $V_{Bn} = -5.6$ V	-8		0.25		
		$I_A = -10$ mA, $V_{Bn} = -4.2$ V	-6		0.25		
		$I_A = -5$ mA, $V_{Bn} = -2.8$ V	-4		0.3		
$I_{NC(OFF)}$ , $I_{NO(OFF)}$	NC or NO OFF Leakage Current (Figure 9)	$V_{IN} = V_{IL}$ or $V_{IH}$ , $V_{Bn} =$ GND, $V_A = V_{EE}$ to GND	-10		$\pm 1.0$	$\pm 20$	$\mu$ A
$I_{COM(ON)}$	COM ON Leakage Current (Figure 9)	$V_{IN} = V_{IL}$ or $V_{IH}$ ; $V_A =$ GND V or $V_{EE}$ ; $V_{B1} =$ GND or $V_{EE}$ with $V_{B0}$ floating, or $V_{B0} =$ GND or $V_{EE}$ with $V_{B1}$ floating	-10		$\pm 2.0$	$\pm 20$	$\mu$ A

Product parametric performance is indicated in the Electrical Characteristics for the listed test conditions, unless otherwise noted. Product performance may not be indicated by the Electrical Characteristics if operated under different conditions.

3. Measured by the voltage drop between A and B pins at the indicated current through the switch. On Resistance is determined by the lower of the voltages on the two (A or B Ports).

4. Parameter is characterized but not tested in production.

5.  $\Delta R_{ON} = R_{ONmax} - R_{ONmin}$  measured at identical  $V_{EE}$ , temperature and voltage levels.

6. Flatness is defined as the difference between the maximum and minimum value of ON Resistance over the specified range of conditions.

# NLHV3157N

## AC ELECTRICAL CHARACTERISTICS (Voltages referenced to GND; Typical characteristics are $T_A$ at 25°C.)

Symbol	Parameter	Condition	$V_{EE}, V$	-55° to 125°C			Unit
				Min	Typ	Max	
$t_{PHL}, t_{PLH}$	Propagation Delay, Bus to Bus (Note 8) (A to $B_n$ )	$C_L = 100 \text{ pF}$ (Figures 2, 3)	-12 to -4			2	ns
$t_{PZL}, t_{PZH}$	Switch Enable Time Turn-On Time (A to $B_n$ )	$C_L = 100 \text{ pF}$ (Figures 2, 3)	-12			220	ns
			-10			175	
			-8			165	
			-6			165	
			-4			200	
$t_{PLZ}, t_{PHZ}$	Switch Disable Time Turn-Off Time (A to $B_n$ )	$C_L = 100 \text{ pF}$ (Figures 2, 3)	-12			225	ns
			-10			155	
			-8			150	
			-6			120	
			-4			145	
$t_B$	Switch Break Time	$R_L = 50 \Omega, C_L = 100 \text{ pF}, V_{IS} = -2.5 \text{ V}$ (Figure 4)	-12	10		50	ns
			-10	10		60	
			-8	20		75	
			-6	20		90	
			-4	50		135	
$t_{POR}$	Power ON Reset Time	Measured from $V_{EE} = -4 \text{ V}$	-12 to -4			20	$\mu\text{s}$
Q	Charge Injection (Note 7)	$C_L = 1 \text{ nF}, V_{GEN} = 0 \text{ V}, R_{GEN} = 0 \Omega$ (Figure 5)	-12			170	pC
			-10			120	
			-8			95	
			-6			55	
			-4			40	
OIRR	Off-Isolation (Note 9)	$R_L = 50 \Omega, f = 10 \text{ MHz}$ (Figure 6)	-12 to -4		-33		dB
Xtalk	Crosstalk	$R_L = 50 \Omega, f = 10 \text{ MHz}$ (Figure 7)	-12 to -4		-42		dB
BW	-3 dB Bandwidth	$R_L = 50 \Omega$ (Figure 10)	-12 to -4		200		MHz

7. Guaranteed by Design.

8. This parameter is guaranteed by design but not tested. The bus switch contributes no propagation delay other than the RC delay of the ON Resistance of the switch and the 50 pF load capacitance, when driven by an ideal voltage source (zero output impedance).

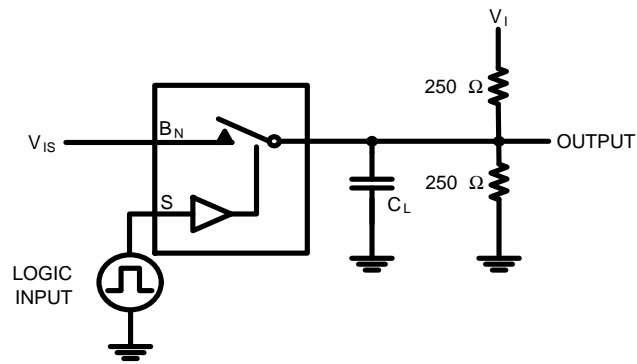
9. Off Isolation =  $20 \log_{10} [V_A/V_{Bn}]$ .

## CAPACITANCES (Note 10)

Symbol	Parameter	Test Conditions	Typical @ 25°C	Unit
$C_{IN}$	Input Capacitance, Select Inputs	$V_{EE} = -12 \text{ V}$	6	pF
$C_{IOB}$	B-Port OFF Capacitance	$V_{EE} = -10 \text{ V}$	45	pF
$C_{IOA\_ON}$	A Port Capacitance when Switch is Enabled	$V_{EE} = -10 \text{ V}$	100	pF

10.  $T_A = +25^\circ\text{C}$ ,  $f = 1 \text{ MHz}$ , Capacitance is characterized but not tested in production.

# NLHV3157N



**Note:** Input  $V_{IS}$  driven by  $50 \Omega$  source terminated by  $50 \Omega$ .  
**Note:**  $C_L$  includes load and stray capacitance.  
 Input PRR = 100 kHz,  $t_W = 5 \mu s$ .

Parameter	$V_I$	$V_{IS}$
$t_{PLH} / t_{PHL}$	Open	Source
$t_{PZL} / t_{PLZ}$	GND	$V_{EE}$
$t_{PZH} / t_{PHZ}$	$2 \times V_{EE}$	GND

Figure 2. AC Test Circuit

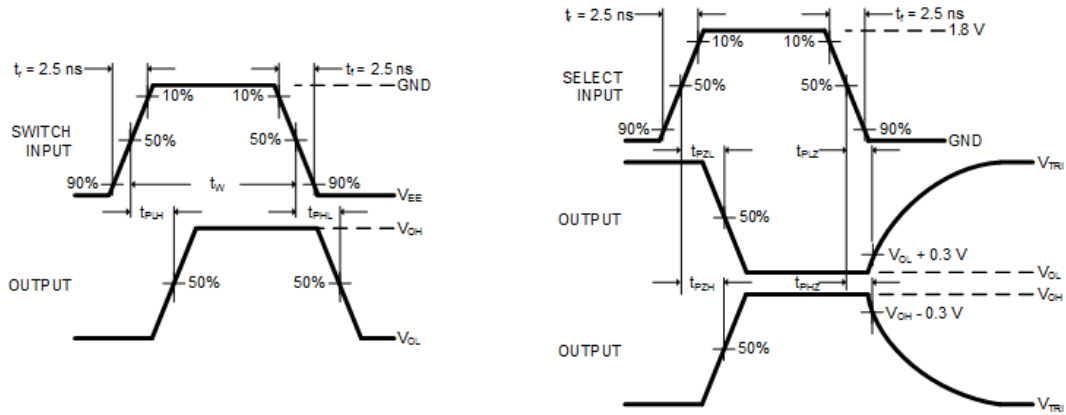


Figure 3. AC Test Waveforms

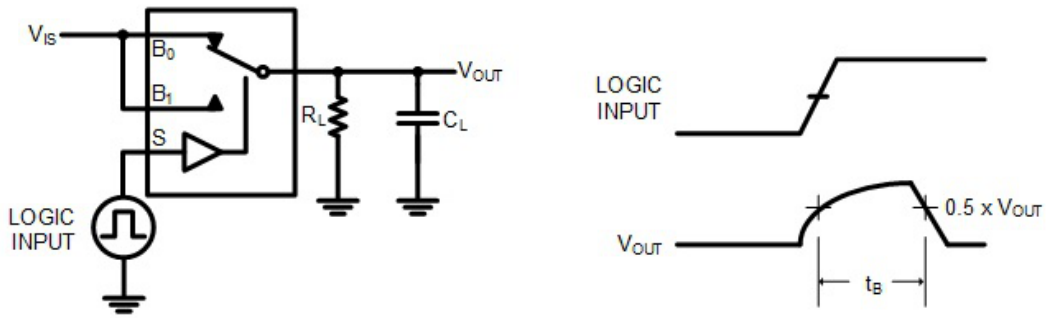


Figure 4. Switch Break Interval Timing

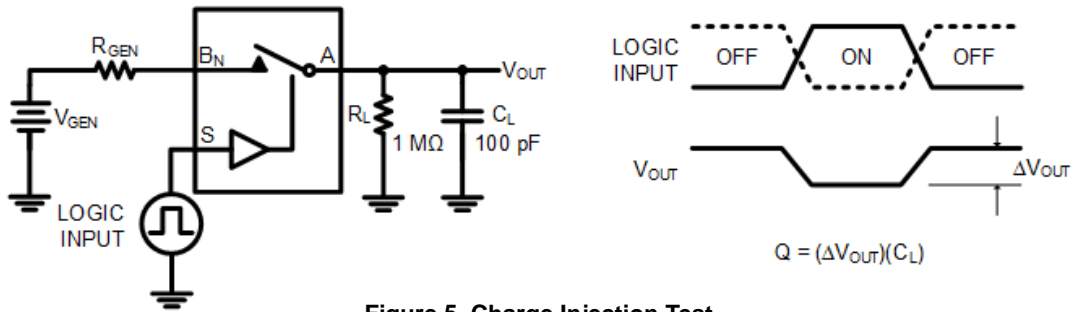


Figure 5. Charge Injection Test

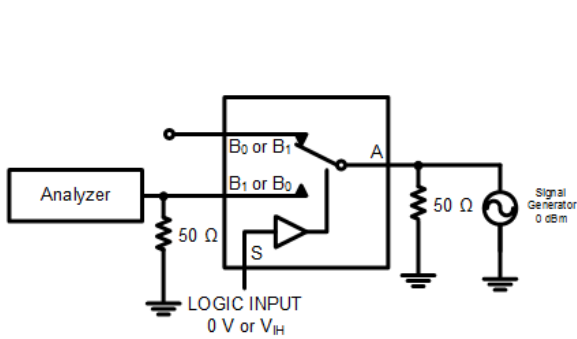


Figure 6. Off Isolation

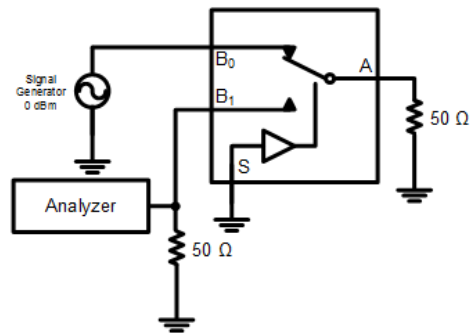


Figure 7. Crosstalk

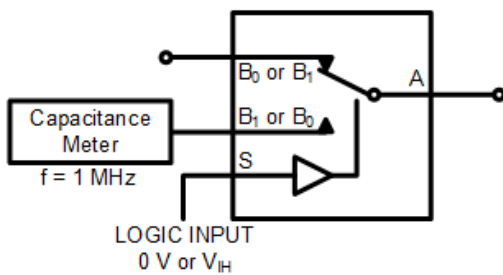


Figure 8. Channel Off Capacitance

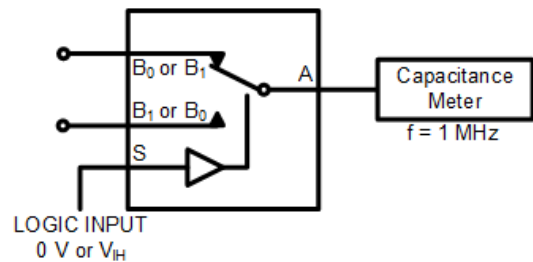
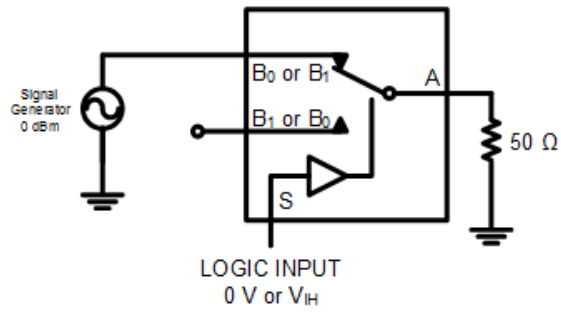


Figure 9. Channel On Capacitance

# NLHV3157N



$$BW = \frac{0.707 \cdot VA}{VBn}, \quad n = 0 \text{ or } 1$$

Figure 10. Bandwidth

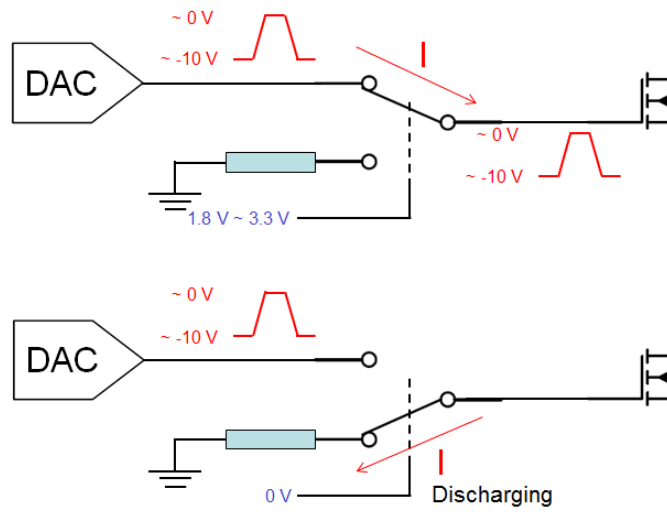
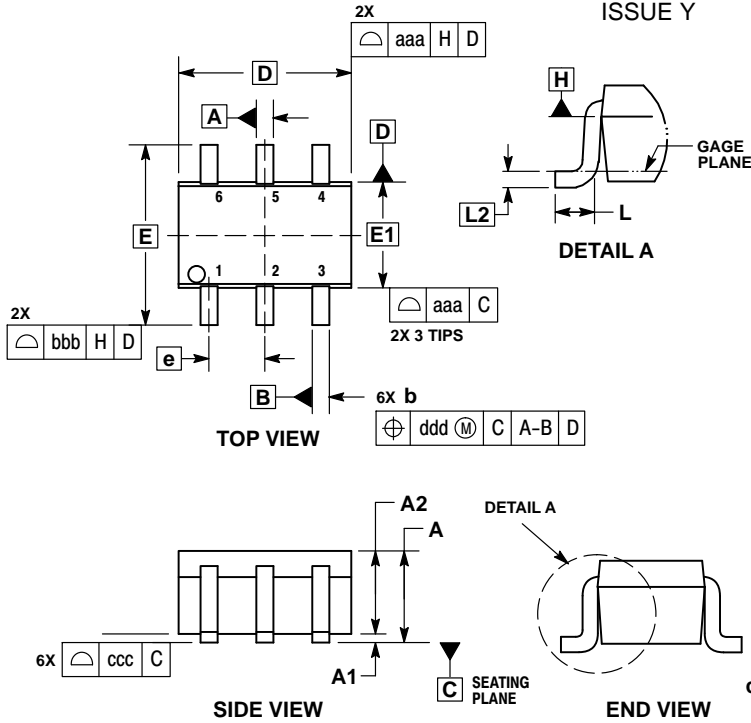


Figure 11. Typical Application

# NLHV3157N

## PACKAGE DIMENSIONS

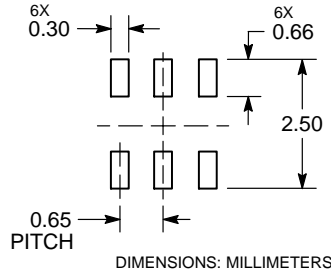
SC-88/SC70-6/SOT-363  
CASE 419B-02  
ISSUE Y



- NOTES:
1. DIMENSIONING AND TOLERANCING PER ASME Y14.5M, 1994.
  2. CONTROLLING DIMENSION: MILLIMETERS.
  3. DIMENSIONS D AND E1 DO NOT INCLUDE MOLD FLASH, PROTRUSIONS, OR GATE BURRS. MOLD FLASH, PROTRUSIONS, OR GATE BURRS SHALL NOT EXCEED 0.20 PER END.
  4. DIMENSIONS D AND E1 AT THE OUTERMOST EXTREMES OF THE PLASTIC BODY AND DATUM H.
  5. DATUMS A AND B ARE DETERMINED AT DATUM H.
  6. DIMENSIONS b AND c APPLY TO THE FLAT SECTION OF THE LEAD BETWEEN 0.08 AND 0.15 FROM THE TIP.
  7. DIMENSION b DOES NOT INCLUDE DAMBAR PROTRUSION. ALLOWABLE DAMBAR PROTRUSION SHALL BE 0.08 TOTAL IN EXCESS OF DIMENSION b AT MAXIMUM MATERIAL CONDITION. THE DAMBAR CANNOT BE LOCATED ON THE LOWER RADIUS OF THE FOOT.

DIM	MILLIMETERS			INCHES		
	MIN	NOM	MAX	MIN	NOM	MAX
A	---	---	1.10	---	---	0.043
A1	0.00	---	0.10	0.000	---	0.004
A2	0.70	0.90	1.00	0.027	0.035	0.039
b	0.15	0.20	0.25	0.006	0.008	0.010
C	0.08	0.15	0.22	0.003	0.006	0.009
D	1.80	2.00	2.20	0.070	0.078	0.086
E	2.00	2.10	2.20	0.078	0.082	0.086
E1	1.15	1.25	1.35	0.045	0.049	0.053
e	0.65 BSC			0.026 BSC		
L	0.26	0.36	0.46	0.010	0.014	0.018
L2	0.15 BSC			0.006 BSC		
aaa	0.15			0.006		
bbb	0.30			0.012		
ccc	0.10			0.004		
ddd	0.10			0.004		

### RECOMMENDED SOLDERING FOOTPRINT\*



\*For additional information on our Pb-Free strategy and soldering details, please download the ON Semiconductor Soldering and Mounting Techniques Reference Manual, SOLDERRM/D.

ON Semiconductor and the are registered trademarks of Semiconductor Components Industries, LLC (SCILLC) or its subsidiaries in the United States and/or other countries. SCILLC owns the rights to a number of patents, trademarks, copyrights, trade secrets, and other intellectual property. A listing of SCILLC's product/patent coverage may be accessed at [www.onsemi.com/site/pdf/Patent-Marking.pdf](http://www.onsemi.com/site/pdf/Patent-Marking.pdf). SCILLC reserves the right to make changes without further notice to any products herein. SCILLC makes no warranty, representation or guarantee regarding the suitability of its products for any particular purpose, nor does SCILLC assume any liability arising out of the application or use of any product or circuit, and specifically disclaims any and all liability, including without limitation special, consequential or incidental damages. "Typical" parameters which may be provided in SCILLC data sheets and/or specifications can and do vary in different applications and actual performance may vary over time. All operating parameters, including "Typicals" must be validated for each customer application by customer's technical experts. SCILLC does not convey any license under its patent rights nor the rights of others. SCILLC products are not designed, intended, or authorized for use as components in systems intended for surgical implant into the body, or other applications intended to support or sustain life, or for any other application in which the failure of the SCILLC product could create a situation where personal injury or death may occur. Should Buyer purchase or use SCILLC products for any such unintended or unauthorized application, Buyer shall indemnify and hold SCILLC and its officers, employees, subsidiaries, affiliates, and distributors harmless against all claims, costs, damages, and expenses, and reasonable attorney fees arising out of, directly or indirectly, any claim of personal injury or death associated with such unintended or unauthorized use, even if such claim alleges that SCILLC was negligent regarding the design or manufacture of the part. SCILLC is an Equal Opportunity/Affirmative Action Employer. This literature is subject to all applicable copyright laws and is not for resale in any manner.

### PUBLICATION ORDERING INFORMATION

**LITERATURE FULFILLMENT:**  
Literature Distribution Center for ON Semiconductor  
19521 E. 32nd Pkwy, Aurora, Colorado 80011 USA  
**Phone:** 303-675-2175 or 800-344-3860 Toll Free USA/Canada  
**Fax:** 303-675-2176 or 800-344-3867 Toll Free USA/Canada  
**Email:** [orderlit@onsemi.com](mailto:orderlit@onsemi.com)

**N. American Technical Support:** 800-282-9855 Toll Free  
USA/Canada  
**Europe, Middle East and Africa Technical Support:**  
Phone: 421 33 790 2910  
**Japan Customer Focus Center**  
Phone: 81-3-5817-1050

**ON Semiconductor Website:** [www.onsemi.com](http://www.onsemi.com)  
**Order Literature:** <http://www.onsemi.com/orderlit>  
For additional information, please contact your local Sales Representative