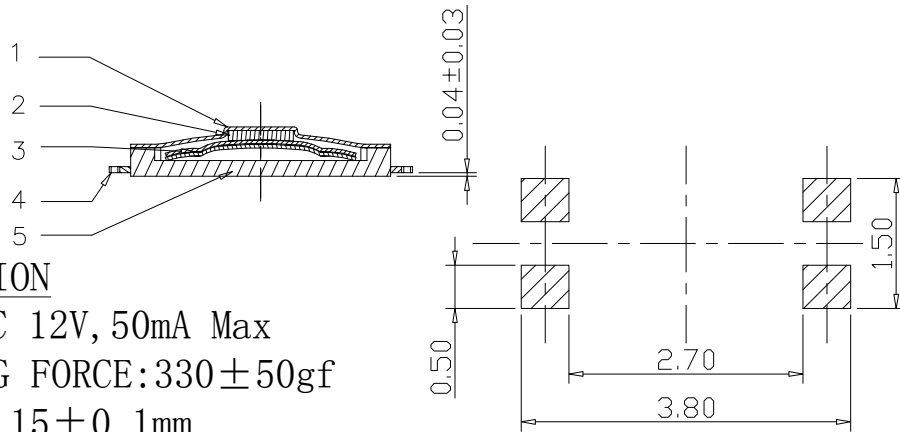
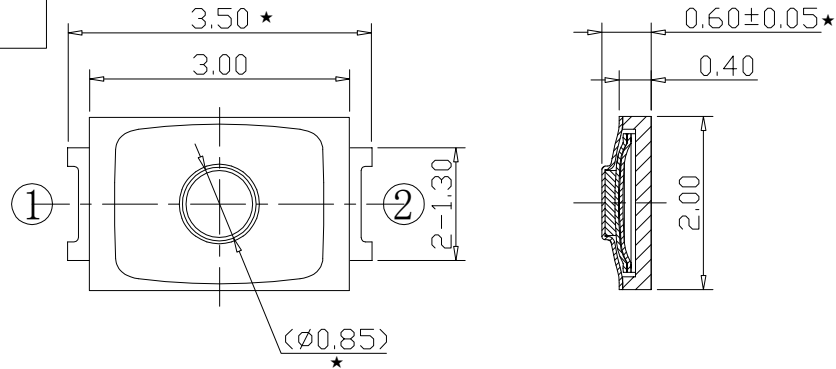
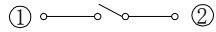


CIRCUIT DIAGRAM

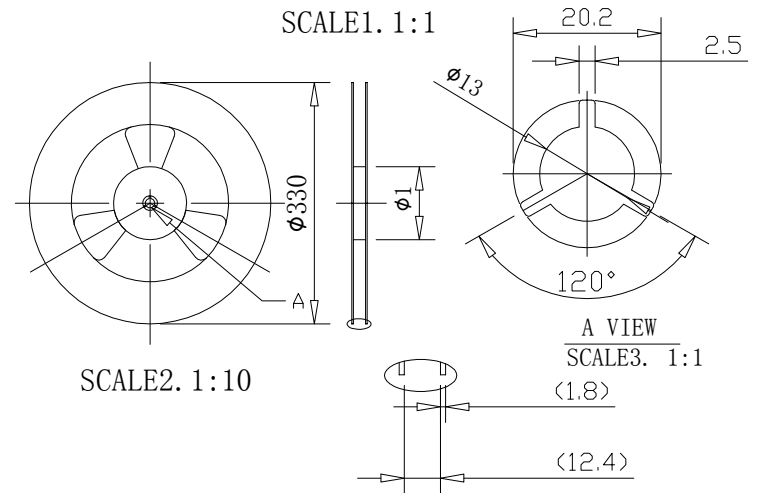
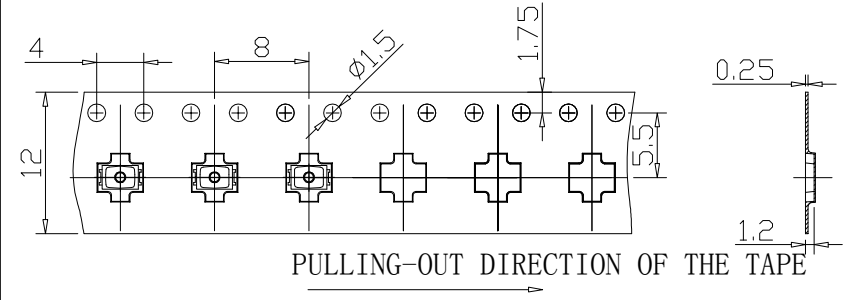


P. C. B. Layout

SPECIFICATION

1. RATING: DC 12V, 50mA Max
2. OPERATING FORCE: 330 ± 50 gf
3. TRAVEL: 0.15 ± 0.1 mm
4. LIFE: 300,000cycles
5. PACKAGE: 10000PCS/REEL.
6. SINGLE: 0.0075g
7. WATERPROOF GRADE : IP67
8. "★" LOGO IS THE KEY SIZE

REV.	DESCRIPTION	DATE	DRAWN	CHECKED	APPROVED
A	NEW DWG	01/19/20	Jack	ROC	Jason



1	KAPTON	PA9T	1	WHITE	TOLERANCES UNLESS OTHERWISE SPECIFIED WITHIN: $1.5\text{mm} \pm 0.1\text{mm}$ OVER: $1.5\text{mm} \pm 0.2\text{mm}$	
2	NOB	PA9T	1	BLACK		
3	CONTACT	STAINLESS STEEL	3	Ag-Plate (Silver plated copper base)		
4	TERMINAL	PHOSPHOR BRONZE	2	Ag-Plate (Silver plated nickel base)	DRAWN / DATE	Jack 2020.01.19
5	CASE	PA9T	1	BLACK	CHECKED / DATE	ROC 2020.01.19
NO.	PARTS	MATERIALS	Q' TY	FINISH	APPROVED /DATE	Jason 2020.01.19

TACT SWITCH			MODEL	YTSSKSW033
SCALE	UNIT	SHEET	DWG NO.	SHENZHEN YIYUAN TECHNOLOGY CO., LTD
1:1	mm	1 / 1		
CUSTOMER DRAWING				