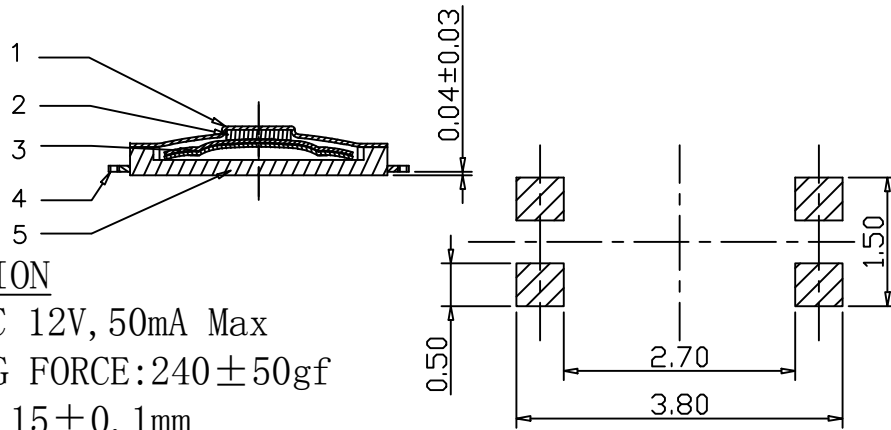
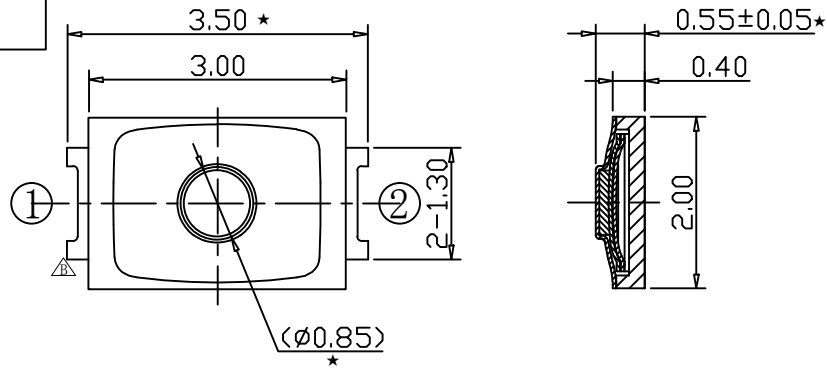
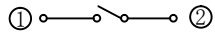


CIRCUIT DIAGRAM

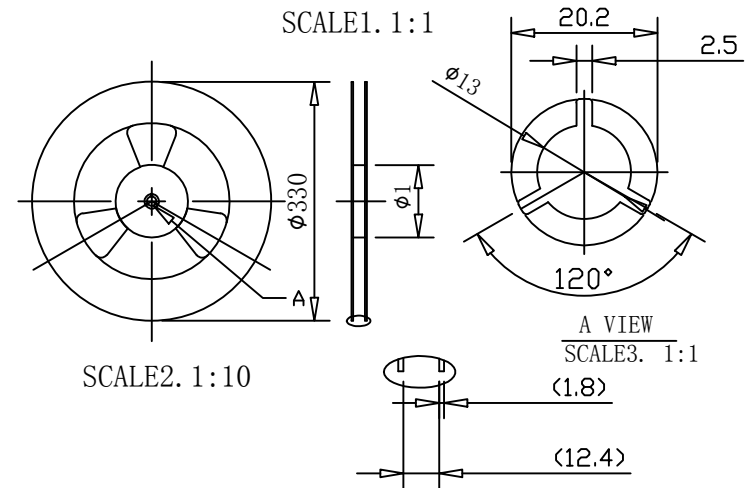
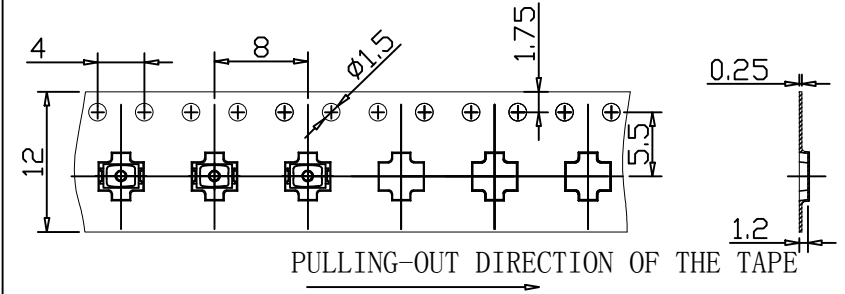


P. C. B. Layout

SPECIFICATION

1. RATING: DC 12V, 50mA Max
2. OPERATING FORCE: 240 ± 50 gf
3. TRAVEL: 0.15 ± 0.1 mm
4. LIFE: 300,000cycles
5. PACKAGE: 10000PCS/REEL.
6. SINGLE: 0.0075g
7. WATERPROOF GRADE : IP67
8. "★" LOGO IS THE KEY SIZE

REV.	DESCRIPTION	DATE	DRAWN	CHECKED	APPROVED
A	NEW DWG	06/12/17	LEO'	ROC	HXF
B	修改pin	11/08/17	Jack	ROC	HXF
C	更新载带方向	5/05/18	Jack	ROC	Jason
D	变更载带	03/12/20	Jack	ROC	Jason



NO.	PARTS	MATERIALS	Q' TY	FINISH	APPROVED / DATE	TOLERANCES UNLESS OTHERWISE SPECIFIED WITHIN: 1.5mm ± 0.1mm OVER: 1.5mm ± 0.2mm	TACT SWITCH			MODEL	YTSSKSW024
1	KAPTON	PA9T	1	WHITE	DRAWN / DATE Jack 2020.03.12		SCALE	UNIT	SHEET	DWG NO.	SHENZHEN YIYUAN TECHNOLOGY CO., LTD
2	NOB	PA9T	1	BLACK			1:1	mm	1 / 1		
3	CONTACT	STAINLESS STEEL	3	Ag-Plate (Silver plated copper base)			CHECKED / DATE ROC 2020.03.12	CUSTOMER DRAWING			
4	TERMINAL	PHOSPHOR BRONZE	2	Ag-Plate (Silver plated nickel base)	APPROVED / DATE Jason 2020.03.12						
5	CASE	PA9T	1	BLACK							