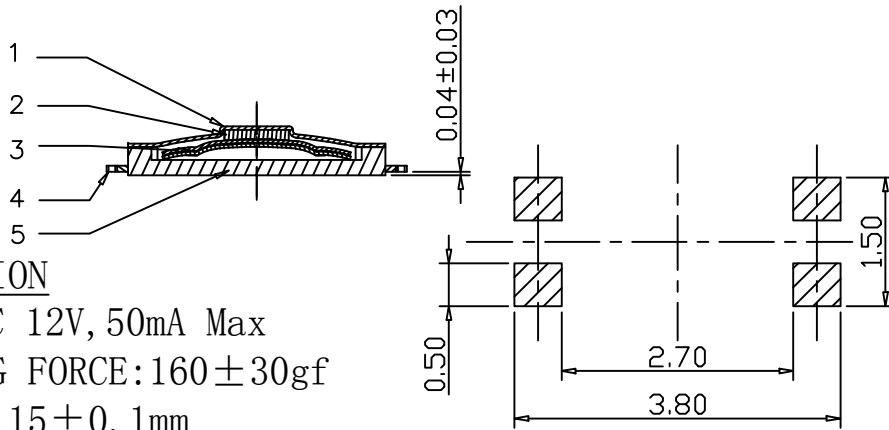
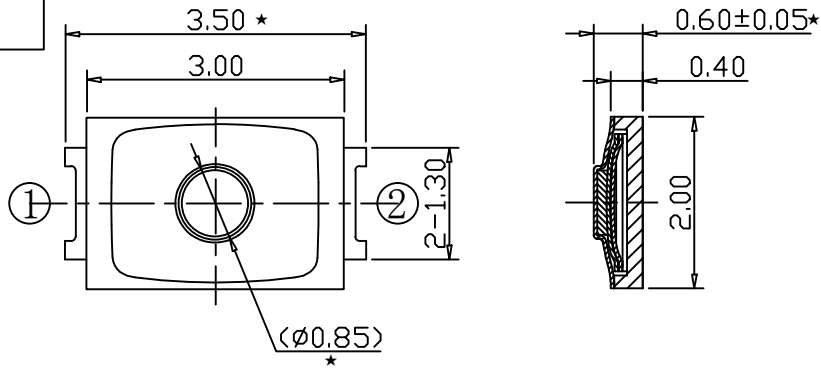
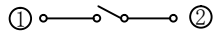


CIRCUIT DIAGRAM

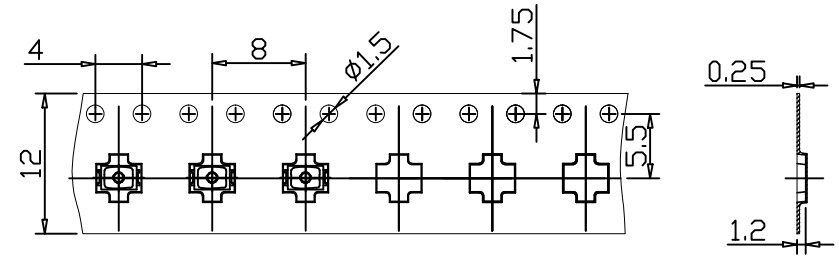


P. C. B. Layout

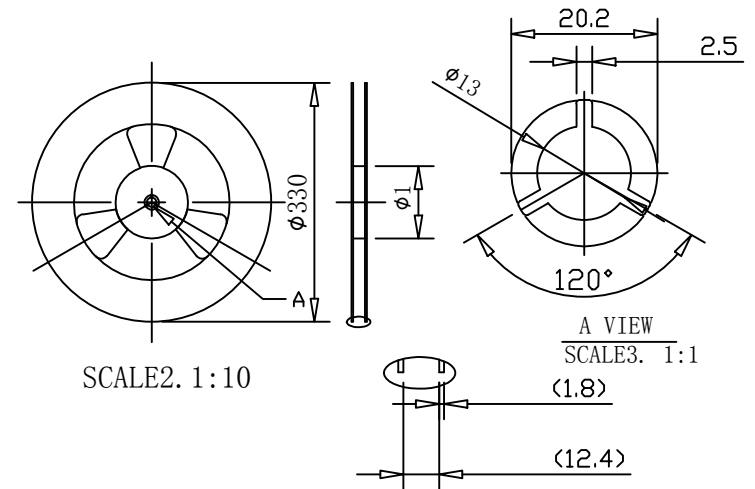
SPECIFICATION

1. RATING: DC 12V, 50mA Max
2. OPERATING FORCE: 160 ± 30 gf
3. TRAVEL: 0.15 ± 0.1 mm
4. LIFE: 300,000cycles
5. PACKAGE: 10000PCS/REEL.
6. SINGLE: 0.0075g
7. WATERPROOF GRADE : IP67
8. "★" LOGO IS THE KEY SIZE

REV.	DESCRIPTION	DATE	DRAWN	CHECKED	APPROVED
A	NEW DWG	07/23/20	Jack	ROC	Jason



SCALE1. 1:1



SCALE2. 1:10

SCALE3. 1:1

NO.	PARTS	MATERIALS	Q' TY	FINISH
1	KAPTON	PA9T	1	WHITE
2	NOB	PA9T	1	BLACK
3	CONTACT	STAINLESS STEEL	2	Ag-Plate (Silver plated copper base)
4	TERMINAL	PHOSPHOR BRONZE	2	Ag-Plate (Silver plated nickel base)
5	CASE	PA9T	1	BLACK

TOLERANCES UNLESS OTHERWISE SPECIFIED	
WITHIN: $1.5\text{mm} \pm 0.1\text{mm}$	
OVER: $1.5\text{mm} \pm 0.2\text{mm}$	
DRAWN / DATE	Jack 2020.07.23
CHECKED / DATE	ROC 2020.07.23
APPROVED / DATE	Jason 2020.07.23

TACT SWITCH			MODEL	YTSSKSW016
SCALE	UNIT	SHEET	DWG NO.	
1:1	mm	1 / 1		
CUSTOMER DRAWING	SHENZHEN YIYUAN TECHNOLOGY CO., LTD			