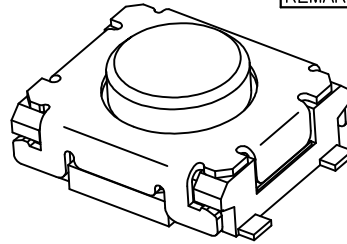
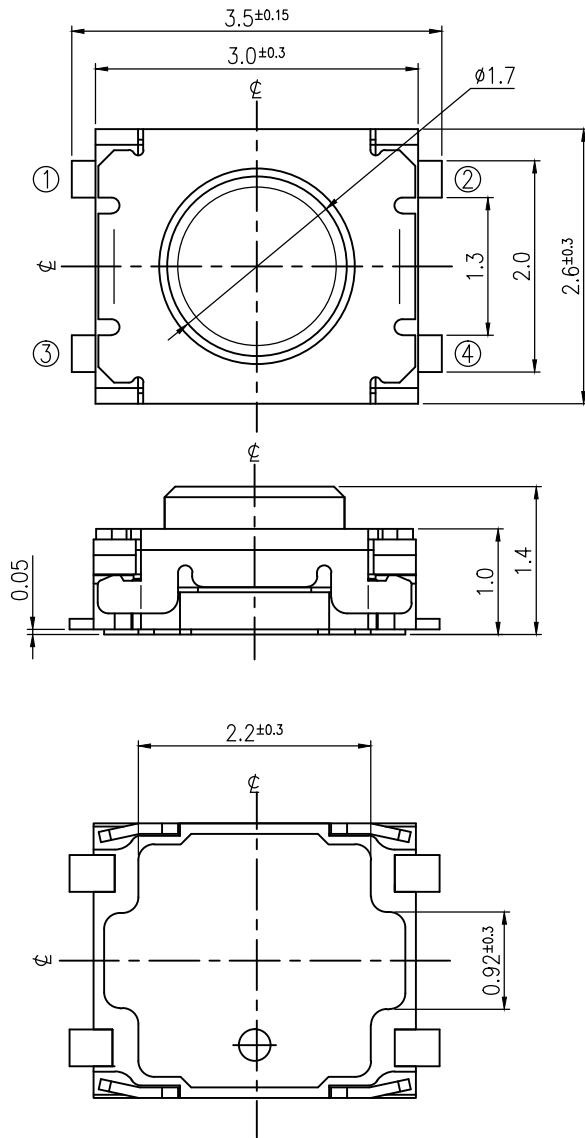
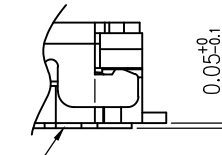


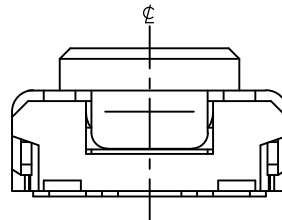
RoHS Compliant



P.C.B MOUNTING FACE



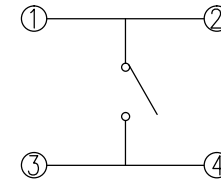
TERMINALS DETAIL



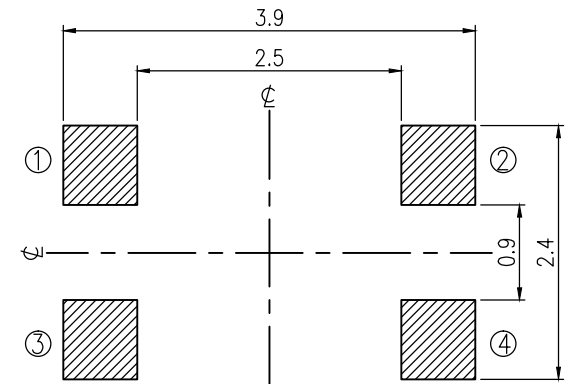
REVISIONS							
Rev	DESCRIPTION	DATE	DRAWER	Rev	DESCRIPTION	DATE	DRAWER
A	Initial Drawing	2015.12.11	LUO JIE	C			
B				D			

SPECIFICATIONS			
RATING	RATING	TIMING	TIMING
CONTACT RESISTANCE	CONTACT-RESISTANCE BEFORE OPERATION	OPERATION (TORQUE)	OPERATION (TORQUE)
INSULATION RESISTANCE	INSULATION-RESISTANCE	STROKE (ANGLE)	STROKE (ANGLE)
WITHSTAND VOLTAGE	WITHSTAND-VOLTAGE	CONTACT RESISTANCE (AFTER LIFE CYCLES)	CONTACT-RESISTANCE AFTER LIFE CYCLES TEST
REMARKS:			

SCHEMATIC



P.C.B LAYOUT



HATCHED AREA SHOWS SOLDERING LAND

MODEL NO.	OPERATING FORCE	LIFE
YTS830GM	160±50 gf	500,000 CYCLES
YTS830GG	450±80 gf	200,000 CYCLES

TOLERANCES UNLESS OTHERWISE SPECIFIED ±0.1		SIGNATURES		DATE	MODEL
	UNIT	DRAWER	Drawer	Date	TITLE
	mm	CHECKED			PART-NAME
	SCALE	REVIEWED			NO.
	1/1	APPROVALS			PART-NO.



SHENZHEN YIYUAN TECHNOLOGY CO., LTD.