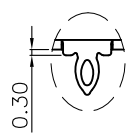
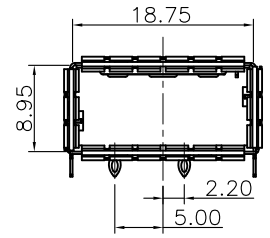
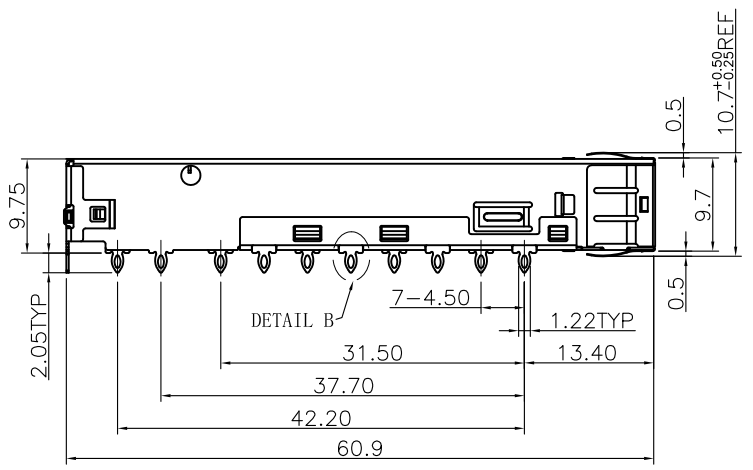
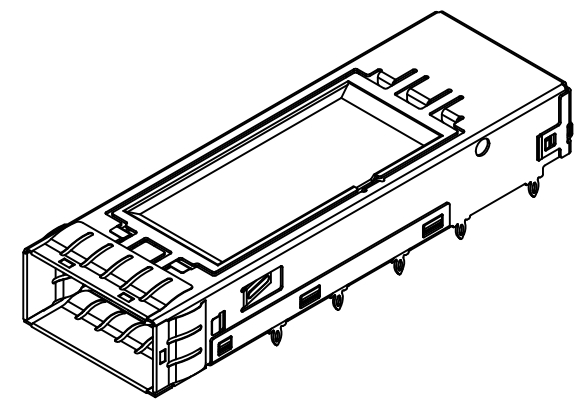
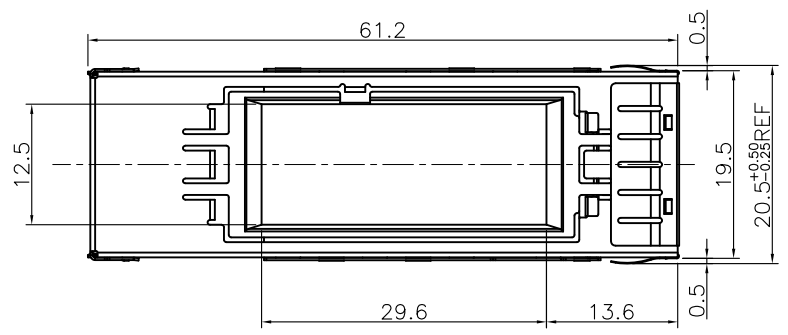


NO.	ECN NO.	DESCRIPTION	REV.	DRAW	DATE
1		完善槽位位置尺寸	A2	W H J	20.09.05
2					
3					



DETAIL B (SCALE 2:1)

NOTES:  
1. CAGE: COPPER ALLOY THICKNESS: 0.25mm

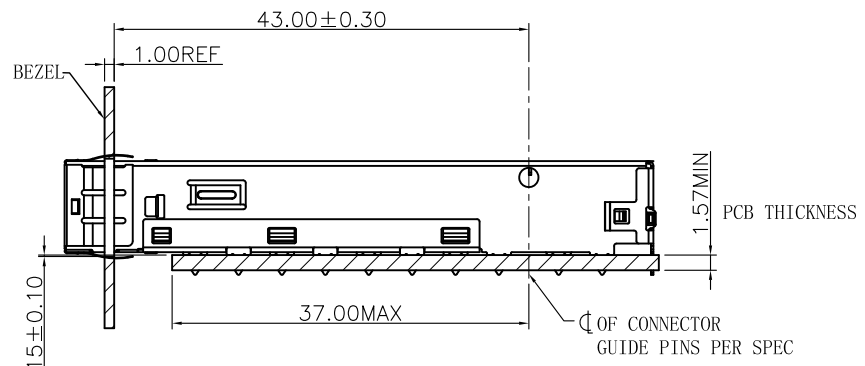
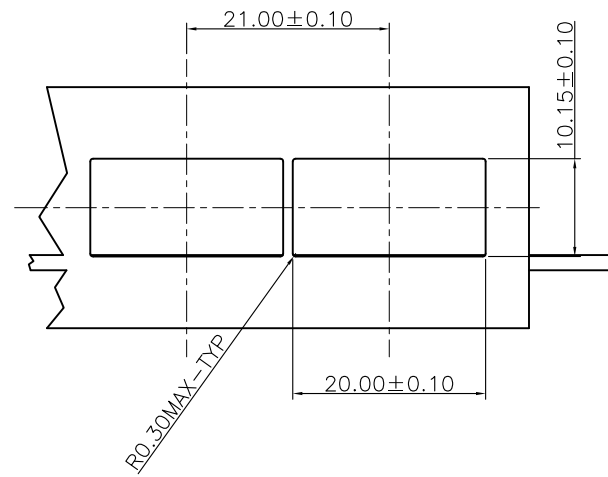
未注公差  
容许公差 TOLERANCE

.X	±0.35	X.*	±2°
.XX	±0.25	.X.*	±1°
.XXX	±0.10	.XX.*	±

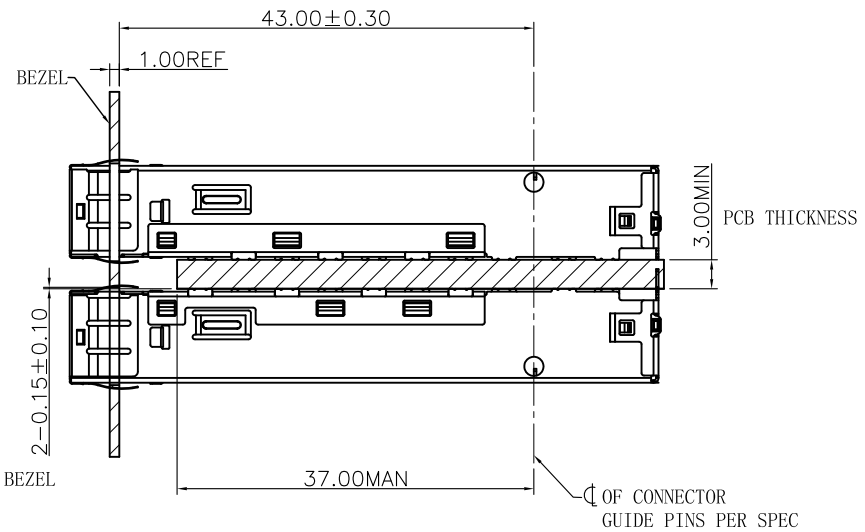
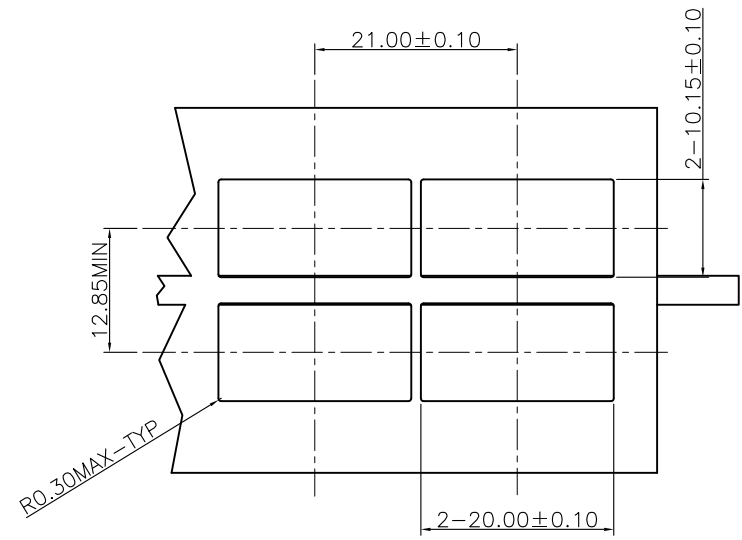
**GLGNET**® 深圳方向电子有限公司  
SHEN ZHEN GLGNET ELECTRONICS CO.,LTD.

比例 SCALE	1:1	角法 PROJ.		设计 DESIGN		品名 TITLE	QSFP28 1x1-C0
张数 SHEET	1/3	纸张 SIZE	A4	校对 CHECKED		料号 ITEM NO.	49003-00N011
单位 UNIT	mm	版本 REV.	A2	核准 APPROVE		图号 DWG NO.	GLG-WS-206

NO.	ECN NO.	DESCRIPTION	REV.	DRAW	DATE
1		完善槽位位置尺寸	A2	W H J	20.09.05
2					
3					



(BOTTOM OF CUT-OUT IN BEZEL TO TOP PCB)



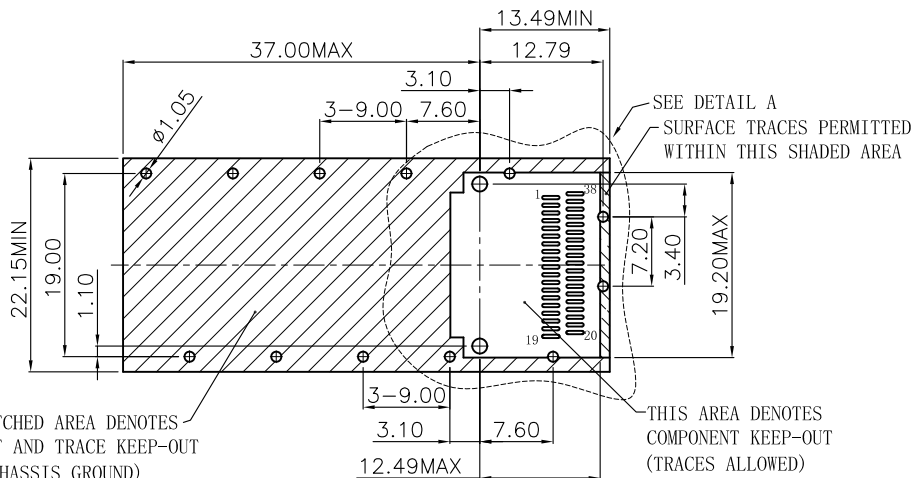
(BOTTOM OF CUT-OUT IN BEZEL TO TOP PCB)

未注公差	容许公差 TOLERANCE	
.X	±0.35	X.* ±2°
.XX	±0.25	.X.* ±1°
.XXX	±0.10	.XX.* ±

**GLGNET**® 深圳方向电子有限公司  
SHEN ZHEN GLGNET ELECTRONICS CO.,LTD.

比例 SCALE	1:1	角法 PROJ.		设计 DESIGN		品名 TITLE	QSFP28 1x1-C0
张数 SHEET	2/3	纸张 SIZE	A4	校对 CHECKED		料号 ITEM NO.	49003-00N011
单位 UNIT	mm	版本 REV.	A2	核准 APPROVE		图号 DWG NO.	GLG-WS-206

NO.	ECN NO.	DESCRIPTION	REV.	DRAW	DATE
1		完善槽位位置尺寸	A2	W H J	20.09.05
2					
3					

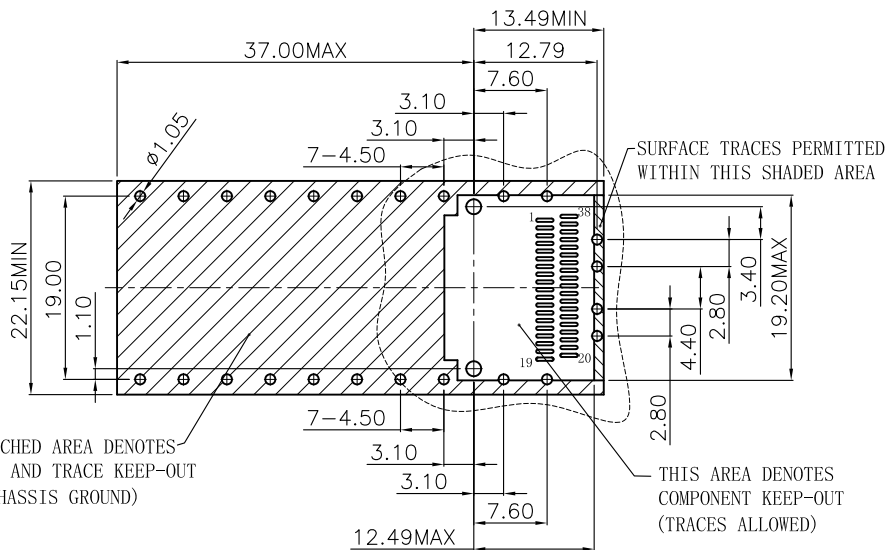


CROSS-HATCHED AREA DENOTES COMPONENT AND TRACE KEEP-OUT (EXCEPT CHASSIS GROUND)

SEE DETAIL A  
SURFACE TRACES PERMITTED WITHIN THIS SHADED AREA

THIS AREA DENOTES COMPONENT KEEP-OUT (TRACES ALLOWED)

RECOMMENDED PCB LAYOUT (COMPONENT SIDE)  
RECOMMENDED MINIMUM PCB THICKNESS:1.57mm  
(ALL TOLERANCES ARE  $\pm 0.05$ )  
SINGLE SIDED APPLICATIONS

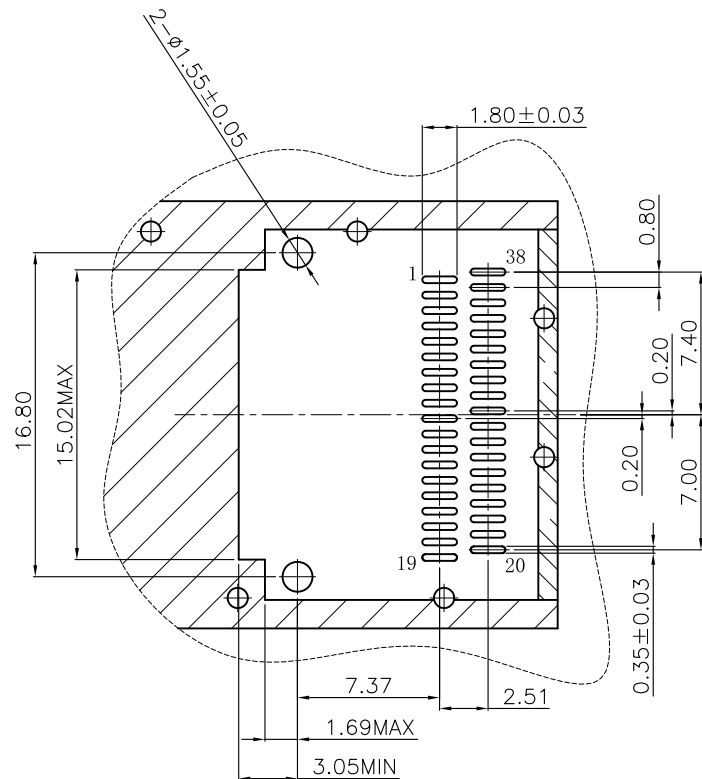


CROSS-HATCHED AREA DENOTES COMPONENT AND TRACE KEEP-OUT (EXCEPT CHASSIS GROUND)

SURFACE TRACES PERMITTED WITHIN THIS SHADED AREA

THIS AREA DENOTES COMPONENT KEEP-OUT (TRACES ALLOWED)

RECOMMENDED PCB LAYOUT (COMPONENT SIDE)  
RECOMMENDED MINIMUM PCB THICKNESS:3.00mm  
(ALL TOLERANCES ARE  $\pm 0.05$ )  
BELLY TO BELLY APPLICATIONS



DETAIL A (SCALE 2:1)

未注公差 容许公差 TOLERANCE				GLGNET® 深圳方向电子有限公司 SHEN ZHEN GLGNET ELECTRONICS CO.,LTD.	
.X	$\pm 0.35$	X.*	$\pm 2^\circ$	品名 TITLE	QSFP28 1x1-C0
.XX	$\pm 0.25$	.X.*	$\pm 1^\circ$	料号 ITEM NO.	49003-00N011
.XXX	$\pm 0.10$	.XX.*	$\pm$	图号 DWG NO.	GLG-WS-206
比例 SCALE	1:1	角法 PROJ.		设计 DESIGN	
张数 SHEET	3/3	纸张 SIZE	A4	校对 CHECKED	
单位 UNIT	mm	版本 REV.	A2	核准 APPROVE	