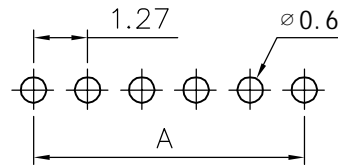
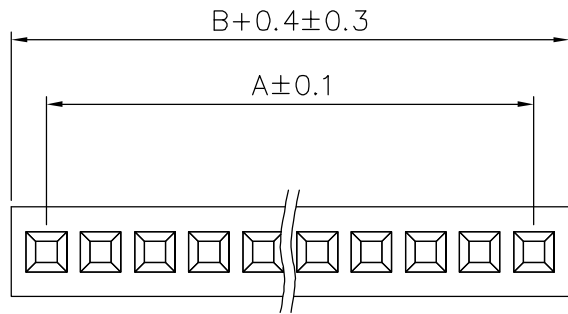
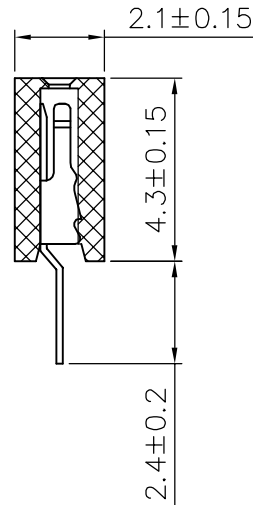
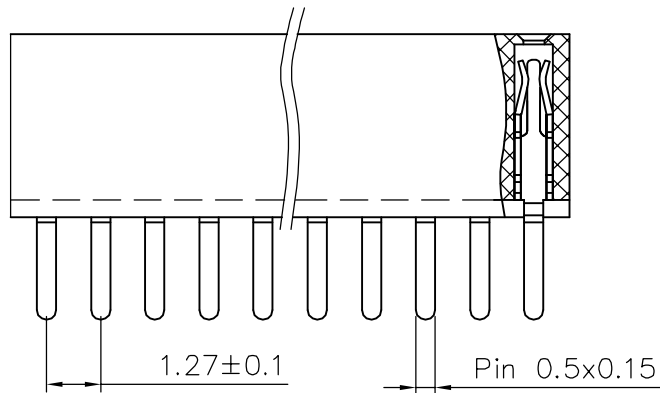


Kinghelm®



RECOMMEND P. C. B LAYOUT
PCB TOLERANCE: ±0.05 (TOP VIEW)



SPECIFICATIONS

Current Rating: 1.0 Amps
 Withstanding Voltage: AC 500V
 Insulation Resistance: 1000MΩ Min
 Contact Resistance: 20 mΩ Max
 Operation Temperature: -40 ° to +105 °
 Insulator Material: Polyester (UL94V-0)
 Contact Material: Phosphor bronze
 Standard: PA6T
 Contact Plating: Gold Flash
 Max. Processing Temp: 240 ° C for 30-60 seconds
 (260 ° C for 5 seconds)

- (1) Pin Spacing: 127=1.27mm
- (2) Product Name: FH=Female Header
- (3) No. of Rows: 1=Single Row ; 2=Dual Row
- (4) No. of Pins Per Row: 1~50
- (5) Insulator Material Height: 20=2.0mm; 43=4.3mm
- (6) Connector Type: S=Straight; R=Right; Angle M=SMT
- (7) Connector Material Length: 24=2.4mm; 30=3.0mm
- (8) Insulator Material Width: 18=1.8mm 21=2.1mm
- (9) Contact Plating: G0=Gold Flash; AU10=Au 1.0u"
- (10) Insulator Material Option:
A=BK-PA6T; B=BK-PA46; C=KB-LCP; S=Special

深圳市金航标电子有限公司

WWW.BDS666.COM

KH-1.27FH-1X18P-H4.3

0755-83044319

UNLESS OTHERWISE SPECIFIED TOLERANCE
 X : ±0.3 X° : ±5°
 X.X : ±0.2 X.X° : ±1°
 X.XX : ±0.1 X.XX° : ±0.5°

DRAWN NAME

1.27FH 1x8Pin H4.3 DIP

| | | | | | |
|------|----|-------|-----|-------------|--|
| SIZE | A4 | SCALE | N:1 | PROJECT NO. | |
| REV | A | UNIT | mm | PROJECT | |

DRAW: LI BEI LIN 12/03/07 CHECKED: / / APPROVED: / /

| No. of | DIM. A | DIM. B | No. of | DIM. A | DIM. B | No. of | DIM. A | DIM. B | No. of | DIM. A | DIM. B | No. of | DIM. A | DIM. B |
|--------|--------|--------|--------|--------|--------|--------|--------|--------|--------|--------|--------|--------|--------|--------|
| 1 | — | — | 11 | 12.70 | 13.97 | 21 | 25.40 | 26.67 | 31 | 38.10 | 39.37 | 41 | 50.80 | 52.07 |
| 2 | 1.27 | 2.54 | 12 | 13.97 | 15.24 | 22 | 26.67 | 27.94 | 32 | 39.37 | 40.64 | 42 | 52.07 | 53.34 |
| 3 | 2.54 | 3.81 | 13 | 15.24 | 16.51 | 23 | 27.94 | 29.21 | 33 | 40.64 | 41.91 | 43 | 53.34 | 54.61 |
| 4 | 3.81 | 5.08 | 14 | 16.51 | 17.78 | 24 | 29.21 | 30.48 | 34 | 41.91 | 43.18 | 44 | 54.61 | 55.88 |
| 5 | 5.08 | 6.35 | 15 | 17.78 | 19.05 | 25 | 30.48 | 31.75 | 35 | 43.18 | 44.45 | 45 | 55.88 | 57.15 |
| 6 | 6.35 | 7.62 | 16 | 19.05 | 20.32 | 26 | 31.75 | 33.02 | 36 | 44.45 | 45.72 | 46 | 57.15 | 58.42 |
| 7 | 7.62 | 8.89 | 17 | 20.32 | 21.59 | 27 | 33.02 | 34.29 | 37 | 45.72 | 46.99 | 47 | 58.42 | 59.69 |
| 8 | 8.89 | 10.16 | 18 | 21.59 | 22.86 | 28 | 34.29 | 35.56 | 38 | 46.99 | 48.26 | 48 | 59.69 | 60.96 |
| 9 | 10.16 | 11.43 | 19 | 22.86 | 24.13 | 29 | 35.56 | 36.83 | 39 | 48.26 | 49.53 | 49 | 60.96 | 62.23 |
| 10 | 11.43 | 12.70 | 20 | 24.13 | 25.40 | 30 | 36.83 | 38.10 | 40 | 49.53 | 50.80 | 50 | 62.23 | 63.50 |