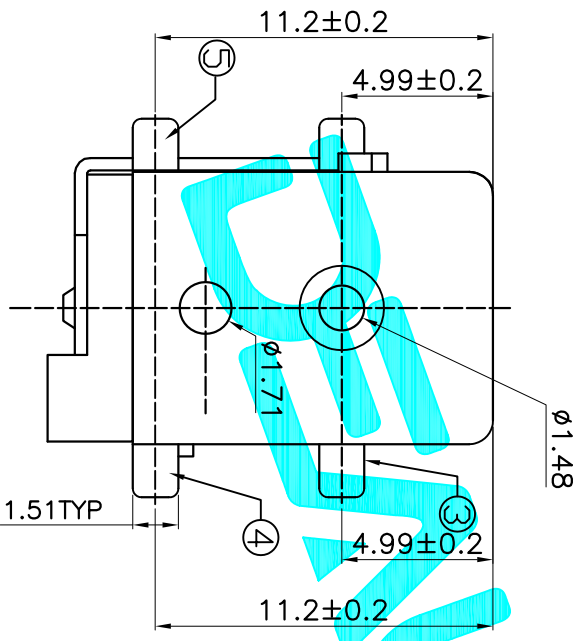


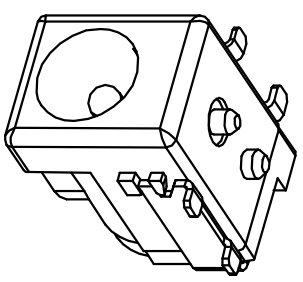
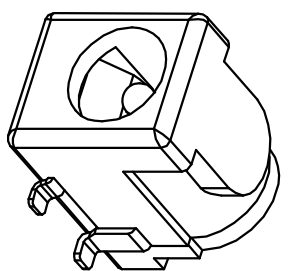
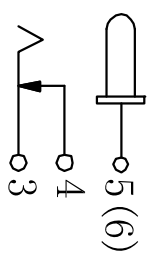
P.C.B LAYOUT
TOP VIEW



Rating: 0.5A 30V DC
 Contact Resistance: 100 mΩ Max.
 Operating temperature: -20°C~70°C
 Operating force: 3-20N
 Operating Life: 5,000cycles

| | | | |
|-------|------|------|--|
| PIN | φ200 | φ250 | |
| APPD. | | | |

SCHEMATIC



| ITEM | PART NAME | QTY. | MATERIAL | FINISHING |
|------|--------------|------|----------|------------|
| ⑥ | PIN | 1 | BRASS | Ni-Plating |
| ⑤ | FLAT FOOT | 1 | BRASS | Ag-Plating |
| ④ | CURVE PIECE | 1 | BRASS | Ag-Plating |
| ③ | SPRING PIECE | 1 | BRONZE | Ag-Plating |
| ② | COVER | 1 | PA9T | |
| ① | HOUSING | 1 | PA9T | |

APPROVALS

| | | | |
|-----------|----------|------|-----------|
| DRAWN | G.M.Chen | DATE | 2018/3/15 |
| CHECKED | | | |
| APPROVALS | | | |

TOLERANCES ARE

| | | | |
|--------|-------|-------|-----|
| 30~100 | ±0.30 | ANGLE | ±2° |
| 10~30 | ±0.20 | | |
| 5~10 | ±0.15 | | |
| ~5 | ±0.10 | | |

PART NO. DC-S050-XXX
 TITLE: DC JACK
 DRAWING NO.

| | | | | | | |
|---------|------|-------|--------------|---------|--------|--------|
| ECN NO. | REV. | DATE. | DESCRIPTION. | CHANGE. | CHECK. | APPRO. |
| | A | | NEW | | | |