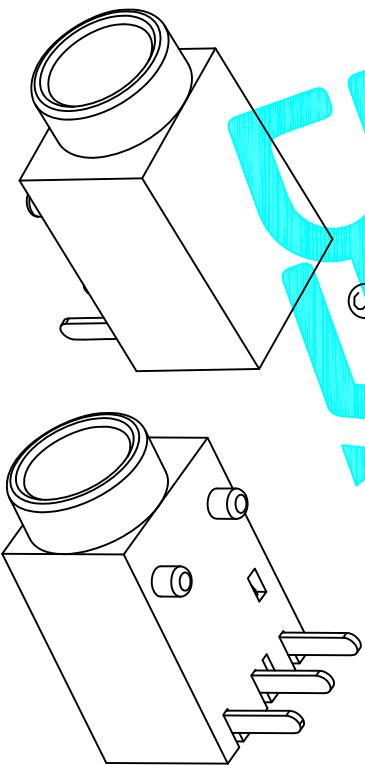


Schematic

PIN	Ø100	Ø130
APPD.		

Rating: 0.5A 30V DC
 Contact Resistance: 100 mΩ Max.
 Operating temperature: -20°C~70°C
 Operating force: 3-20N
 Operating Life: 5,000cycles



ITEM	PART NAME	QTY.	MATERIAL	FINISHING
④	PIN	1	BRASS	Ag-Plating
③	CURVE PIECE	1	BRASS	Ag-Plating
②	Spring	1	SUS301	Ag-Plating
①	HOUSING	1	FR52	

APPROVALS		DATE
DRAWN	G.M.Chen	2018/3/15
CHECKED		
APPROVALS		

ECN NO.	REV.	DATE.	DESCRIPTION.	CHANGE.	CHECK.	APPRO.	TOLERANCES ARE	ANGLE	UNIT:	SCALE:	SHEET	PROJ.	
	A		NEW				30 ^{+0.1} _{-0.1} 10 ^{+0.20} _{-0.13} 5 ^{+0.10} _{-0.10}	±2°	mm	1:1	1 OF 1		
							DC-0003A-XXX		DC JACK				
							ELECTRONICS CO.,LTD						