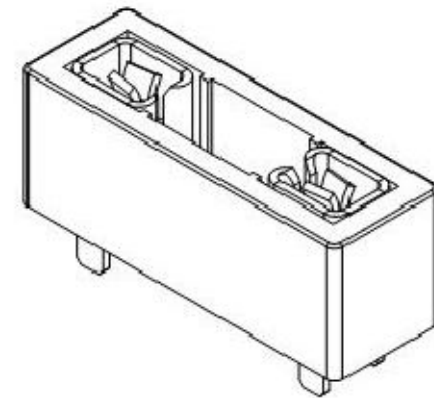
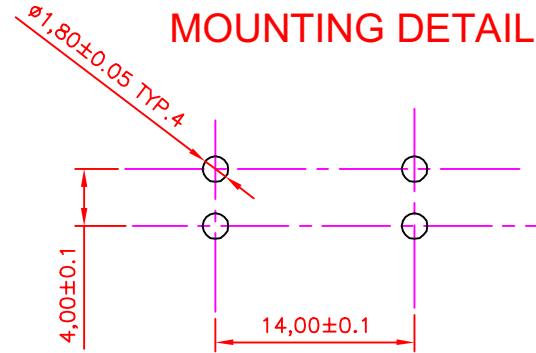
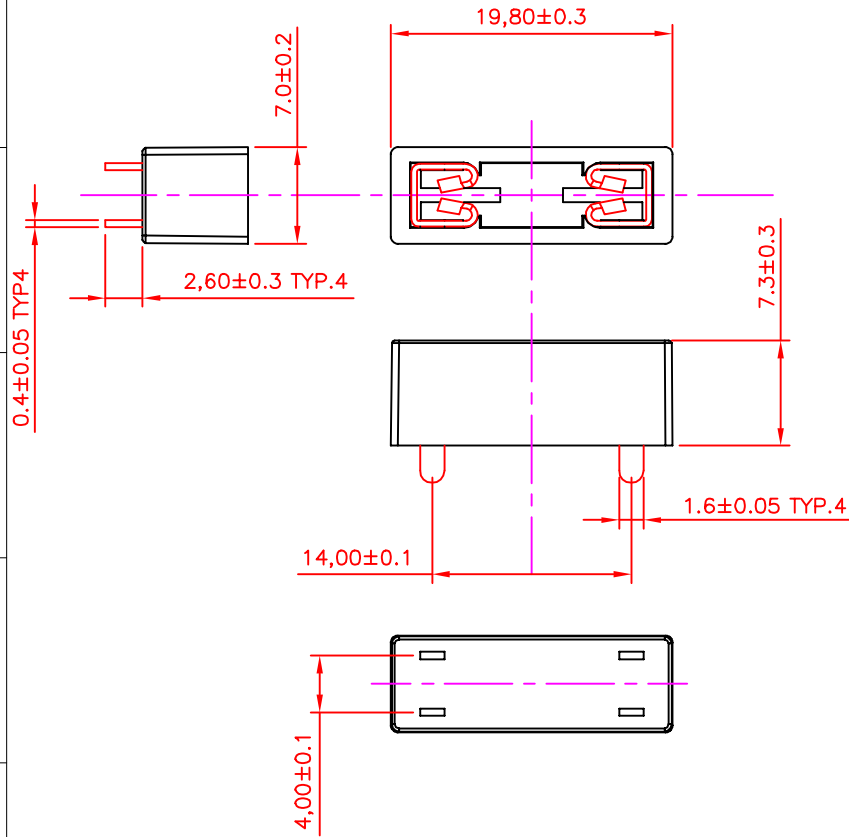


- NOTES: UNLESS OTHERWISE SPECIFIED.
- material: Contacts--brass, T=0.4mm;
Insulator--Glass Filled PBT, 94-V0;
 - terminal finish: Tin plated;
 - removed burrs and sharp edge.
 - For MIN/ATO/ATT automotive blade Fuses.
 - Suitable rated current: 30A@500VAC.
 - Insertion and extraction force: 1Kg Min.
 - Dielectric Strength: Min.AC1000V.
 - Contact Resistance: Max 50mΩ.
 - temperature rise: 50° Max.
 - Insulation Resistance At 500V DC: 100MΩ



				TOLERANCE UNLESS OTHERWISE		DRAWN	CK tan	XFCN 兴飞连接器有限公司 XFCN CONNECTORS CO.,LTD.	SHEET	1/1	
				X.	±0.30	X°	±5°		DATE	2020.04.12	
				.X	±0.20	.X°	±2°		UNITS	mm	
				.XX	±0.08	.XX°	±1°		SCALE	1:1	
AO	MODIFICATION	DRAW	DATE	.XXX	±0.03	.XXX°	±0.5°	PRODUCT NAME	Fuse Clip for PCB Mounted	DWG NO.	009
VER								PART. NO.	XF-508P-A		