

FEATURES

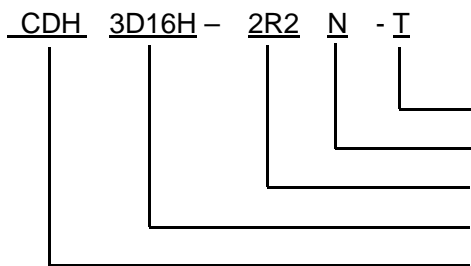
- To be high saturation for surface mounting.
- Surface mount inductor with high current rating.
- Low resistance to keep power loss minimum.
- Packed in embossed carrier tape and can be used by automatic mounting machine.



APPLICATIONS

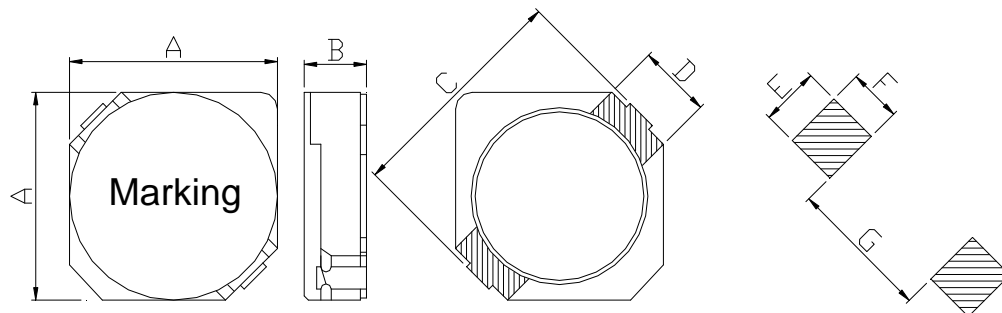
- LCD driving circuits(DC-DC converters) such as notebook, personal computers, portable terminal equipment , game units.

PRODUCT IDENTIFICATION



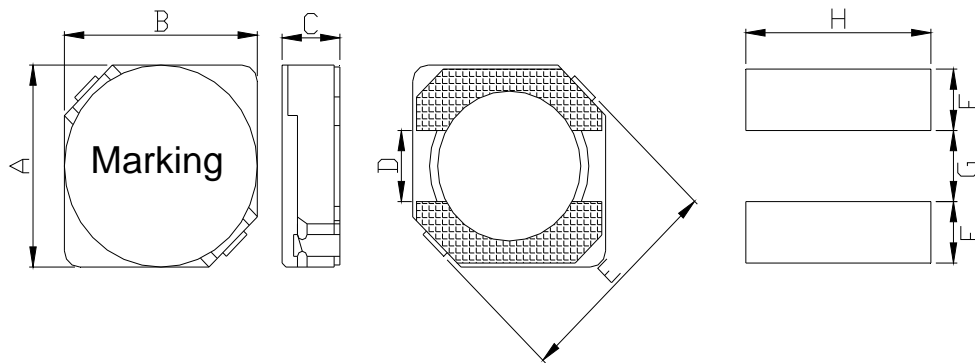
Packaging style (T: Taping; B: bulk)
 Inductance Tolerance (K:10% ; M:20% ; N:30%)
 Inductance Value (150:15uH; 100: 10uH; 101:100uH)
 Product dimensions
 Series name

SHAPES AND DIMENSIONS

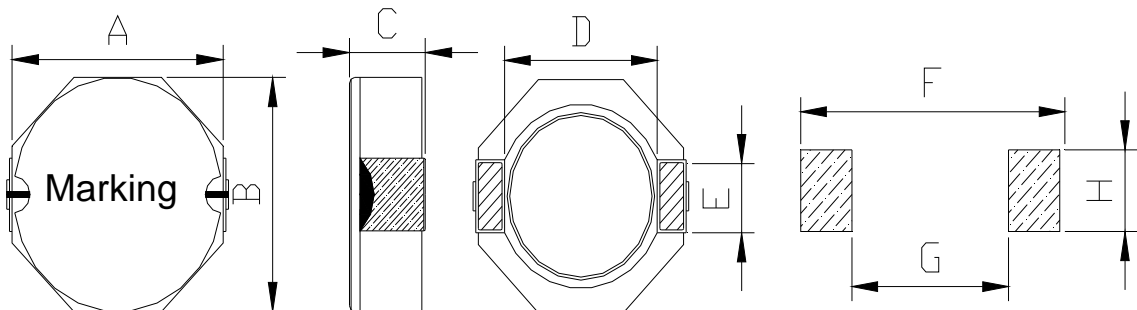


Series	Dimensions(mm)						
	A	B	C	D	E	F	G
CDH2D11	3.0±0.2	1.20 Max.	4. 50 Max.	1.0±0.2	1.3	1.3	1.7
CDH2D14	3.0±0.2	1.55 Max.	4. 50 Max.	1.0±0.2	1.3	1.3	1.7
CDH2D18	3.0±0.2	2.00 Max.	4. 50 Max.	1.0±0.2	1.3	1.3	1.7
CDH3D11	3.8±0.2	1.20 Max.	5. 20 Max.	1.1±0.2	1.5	1.4	2.4
CDH3D16H	3.8±0.2	1.80 Max.	5. 20 Max.	1.1±0.2	1.5	1.4	2.4

Note: Beyond the above specification also could satisfy the special requirement

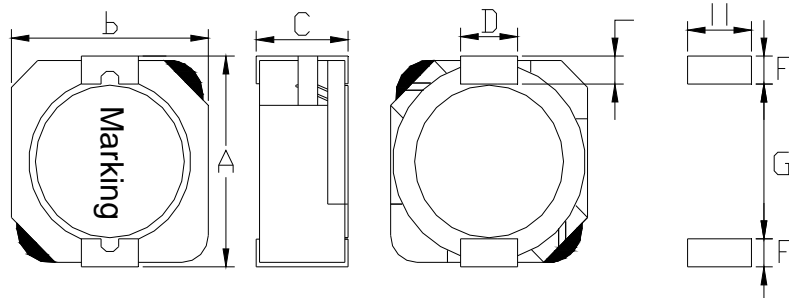


Series	Dimensions(mm)							
	A	B	C	D	E	F	G	H
CDH3D16	3.8±0.2	3.8±0.2	1.8 Max.	1.15	5.2	1.6	1.2	4.4
CDH3D18	3.8±0.2	3.8±0.2	2.0 Max.	1.15	5.2	1.6	1.2	4.4
CDH3D28	3.8±0.2	3.8±0.2	3.1 Max.	1.15	5.2	1.6	1.2	4.4
CDH4D18	4.7±0.3	4.7±0.3	2.0 Max.	1.50	6.9	1.9	1.5	5.3
CDH4D28	4.7±0.3	4.7±0.3	3.0 Max.	1.50	6.9	1.9	1.5	5.3
CDH5D18	5.7±0.3	5.7±0.3	2.0 Max.	2.00	8.2	2.15	2.0	6.3
CDH5D28	5.7±0.3	5.7±0.3	3.0 Max.	2.00	8.2	2.15	2.0	6.3
CDH6D28	6.7±0.3	6.7±0.3	3.0 Max.	2.00	9.5	2.65	2.0	7.3
CDH6D38	6.7±0.3	6.7±0.3	4.0 Max.	2.00	9.5	2.65	2.0	7.3



Series	Dimensions(mm)							
	A	B	C	D	E	F	G	H
CDH8D28	8.0±0.3	8.0±0.3	3.0 Max.	6.3	2.5	10.1	6.1	2.8
CDH8D38	8.0±0.3	8.0±0.3	4.0 Max.	6.3	2.5	10.1	6.1	2.8
CDH8D43	8.0±0.3	8.0±0.3	4.5 Max.	6.3	2.5	10.1	6.1	2.8
CDH8D58	11.0±0.3	8.0±0.3	6.3 Max.	6.3	2.5	10.1	6.1	2.8

Note: Beyond the above specification also could satisfy the special requirement



Series	Dimensions(mm)							
	A	B	C	D	E	F	G	H
CDH103R	10.2±0.3	10.0±0.3	2.8±0.3	3.0	1.2	1.6	7.3	3.2
CDH104R	10.2±0.3	10.0±0.3	3.8±0.3	3.0	1.2	1.6	7.3	3.2
CDH105R	10.2±0.3	10.0±0.3	4.8±0.3	3.0	1.2	1.6	7.3	3.2

ELECTRICAL CHARACTERISTICS

- **Isat**: DC current at which the inductance drops 35% from its value without current.
- **Irms**: Current that causes a 40°C temperature rise from 25°C ambient.

Part Number	L(uH)	Test Freq.(KHz)	DCR max.(Ω)	Isat (A)	Irms(A)
CDH2D11-1R5NT	1.5	100	0.068	0.90	1.48
CDH2D11-2R2NT	2.2	100	0.098	0.78	1.27
CDH2D11-3R3NT	3.3	100	0.123	0.60	1.02
CDH2D11-4R7NT	4.7	100	0.170	0.50	0.88
CDH2D11-6R8NT	6.8	100	0.260	0.44	0.78
CDH2D11-100NT	10	100	0.400	0.35	0.65

Part Number	L(uH)	Test Freq.(KHz)	DCR max.(Ω)	Isat(A)	Irms(A)
CDH2D14-1R2NT	1.2	100	0.049	1.95	2.75
CDH2D14-1R5NT	1.5	100	0.063	1.80	2.00
CDH2D14-1R8NT	1.8	100	0.075	1.65	1.80
CDH2D14-2R2NT	2.2	100	0.094	1.50	1.60
CDH2D14-2R7NT	2.7	100	0.106	1.35	1.40
CDH2D14-3R3NT	3.3	100	0.125	1.20	1.24
CDH2D14-3R9NT	3.9	100	0.138	1.10	1.12
CDH2D14-4R7NT	4.7	100	0.169	1.00	1.00
CDH2D14-5R6NT	5.6	100	0.188	0.95	0.98
CDH2D14-6R8NT	6.8	100	0.213	0.85	0.92
CDH2D14-8R2NT	8.2	100	0.281	0.80	0.80
CDH2D14-100NT	10	100	0.294	0.70	0.76
CDH2D14-120NT	12	100	0.394	0.62	0.64

Note: Beyond the above specification also could satisfy the special requirement

Part Number	L(uH)	Test Freq.(KHz)	DCR max.(Ω)	Isat(A)	Irms(A)
CDH2D18-2R2NT	2.2	100	0.041	0.85	2.30
CDH2D18-3R3NT	3.3	100	0.054	0.75	2.10
CDH2D18-4R7NT	4.7	100	0.078	0.63	1.65
CDH2D18-6R8NT	6.8	100	0.106	0.52	1.32
CDH2D18-100NT	10	100	0.180	0.43	1.00
CDH2D18-150NT	15	100	0.220	0.35	0.80
CDH2D18-220NT	22	100	0.320	0.30	0.68
CDH2D18-330NT	33	100	0.460	0.24	0.56
CDH2D18-470NT	47	100	0.660	0.20	0.48

Part Number	L(uH)	Test Freq.(KHz)	DCR max.(Ω)	Isat(A)	Irms(A)
CDH3D11-2R7NT	2.7	100	0.078	0.53	1.82
CDH3D11-4R7NT	4.7	100	0.123	0.40	1.38
CDH3D11-6R8NT	6.8	100	0.180	0.34	1.05
CDH3D11-8R2NT	8.2	100	0.204	0.32	0.93
CDH3D11-100NT	10	100	0.240	0.28	0.90
CDH3D11-120NT	12	100	0.276	0.25	0.81
CDH3D11-150NT	15	100	0.372	0.23	0.68
CDH3D11-180NT	18	100	0.468	0.21	0.58
CDH3D11-220NT	22	100	0.540	0.19	0.53
CDH3D11-270NT	27	100	0.726	0.17	0.48
CDH3D11-330NT	33	100	0.822	0.15	0.41
CDH3D11-390NT	39	100	0.942	0.14	0.40

Part Number	L(uH)	Test Freq.(KHz)	DCR max.(Ω)	Isat(A)	Irms(A)
CDH3D16H-1R5NT	1.5	100	0.051	2.00	2.40
CDH3D16H-2R2NT	2.2	100	0.059	1.75	2.30
CDH3D16H-3R3NT	3.3	100	0.085	1.40	1.80
CDH3D16H-4R7NT	4.7	100	0.116	1.20	1.50
CDH3D16H-6R8NT	6.8	100	0.180	1.00	1.10
CDH3D16H-100NT	10	100	0.230	0.84	1.00
CDH3D16H-150NT	15	100	0.410	0.65	0.75
CDH3D16H-220NT	22	100	0.610	0.55	0.52
CDH3D16H-330NT	33	100	0.870	0.46	0.41

Note: Beyond the above specification also could satisfy the special requirement

Part Number	L(uH)	Test Freq.(KHz)	DCR max.(Ω)	Rated Current (A)
CDH3D16-R47NT	0.47	100	0.035	2.75
CDH3D16-1R0NT	1.0	100	0.050	1.90
CDH3D16-1R5NT	1.5	100	0.052	1.55
CDH3D16-2R2NT	2.2	100	0.072	1.20
CDH3D16-3R3NT	3.3	100	0.085	1.10
CDH3D16-4R7NT	4.7	100	0.105	0.90
CDH3D16-6R8NT	6.8	100	0.170	0.73
CDH3D16-100NT	10	100	0.210	0.55
CDH3D16-150NT	15	100	0.295	0.45
CDH3D16-220NT	22	100	0.430	0.40
CDH3D16-330NT	33	100	0.675	0.32

Part Number	L(uH)	Test Freq.(KHz)	DCR max.(Ω)	Isat(A)	Irms(A)
CDH3D18-1R0NT	1.0	100	0.050	2.80	2.40
CDH3D18-2R2NT	2.2	100	0.063	1.80	2.00
CDH3D18-3R0NT	3.0	100	0.069	1.60	1.80
CDH3D18-4R7NT	4.7	100	0.108	1.35	1.35
CDH3D18-6R8NT	6.8	100	0.150	1.10	1.10
CDH3D18-100NT	10	100	0.205	0.90	0.90
CDH3D18-120NT	12	100	0.275	0.80	0.80
CDH3D18-150NT	15	100	0.302	0.75	0.75
CDH3D18-220NT	22	100	0.424	0.60	0.60
CDH3D18-330NT	33	100	0.640	0.50	0.45
CDH3D18-470NT	47	100	0.964	0.40	0.35

Part Number	L(uH)	Test Freq.(KHz)	DCR max.(Ω)	Isat(A)	Irms(A)
CDH3D28-100NT	10	100	0.092	0.50	1.52
CDH3D28-120NT	12	100	0.100	0.45	1.48
CDH3D28-150NT	15	100	0.113	0.40	1.44
CDH3D28-180NT	18	100	0.125	0.35	1.37
CDH3D28-220NT	22	100	0.146	0.33	1.28
CDH3D28-270NT	27	100	0.176	0.29	1.18
CDH3D28-330NT	33	100	0.214	0.28	1.15
CDH3D28-390NT	39	100	0.225	0.25	1.00
CDH3D28-470NT	47	100	0.304	0.23	0.81

Note: Beyond the above specification also could satisfy the special requirement

Part Number	L(uH)	Test Freq.(KHz)	DCR max.(Ω)	Isat(A)	Irms(A)
CDH3D28-560NT	56	100	0.324	0.20	0.76
CDH3D28-680NT	68	100	0.472	0.18	0.60
CDH3D28-820NT	82	100	0.539	0.17	0.58
CDH3D28-101MT	100	100	0.608	0.16	0.52
CDH3D28-121MT	120	100	0.757	0.13	0.50
CDH3D28-151MT	150	100	0.882	0.12	0.48
CDH3D28-181MT	180	100	1.130	0.11	0.42
CDH3D28-221MT	220	100	1.269	0.10	0.36

Part Number	L(uH)	Test Freq.(KHz)	DCR max.(Ω)	Rated Current(A)
CDH4D18-1R0NT	1.0	100	0.045	1.72
CDH4D18-2R2NT	2.2	100	0.075	1.32
CDH4D18-2R7NT	2.7	100	0.105	1.28
CDH4D18-3R3NT	3.3	100	0.110	1.04
CDH4D18-3R9NT	3.9	100	0.155	0.88
CDH4D18-4R7NT	4.7	100	0.162	0.84
CDH4D18-5R6NT	5.6	100	0.170	0.80
CDH4D18-6R8NT	6.8	100	0.200	0.76
CDH4D18-8R2NT	8.2	100	0.245	0.68
CDH4D18-100NT	10	100	0.200	0.61
CDH4D18-120NT	12	100	0.210	0.56
CDH4D18-150NT	15	100	0.240	0.50
CDH4D18-180NT	18	100	0.338	0.48
CDH4D18-220NT	22	100	0.397	0.41
CDH4D18-270NT	27	100	0.441	0.35
CDH4D18-330NT	33	100	0.694	0.32
CDH4D18-390NT	39	100	0.709	0.30
CDH4D18-470NT	47	100	0.922	0.28
CDH4D18-560NT	56	100	1.080	0.26
CDH4D18-680NT	68	100	1.300	0.24
CDH4D18-820NT	82	100	1.550	0.22
CDH4D18-101MT	100	100	1.730	0.20
CDH4D18-121MT	120	100	2.390	0.18
CDH4D18-151MT	150	100	2.670	0.15
CDH4D18-181MT	180	100	4.000	0.14

Note: Beyond the above specification also could satisfy the special requirement

Part Number	L(uH)	Test Freq.(KHz)	DCR max.(Ω)	Rated Current(A)
CDH4D28-1R2NT	1.2	100	0.024	2.56
CDH4D28-1R8NT	1.8	100	0.028	2.20
CDH4D28-2R2NT	2.2	100	0.031	2.04
CDH4D28-2R7NT	2.7	100	0.043	1.60
CDH4D28-3R3NT	3.3	100	0.049	1.57
CDH4D28-3R9NT	3.9	100	0.065	1.44
CDH4D28-4R7NT	4.7	100	0.072	1.32
CDH4D28-5R6NT	5.6	100	0.101	1.17
CDH4D28-6R8NT	6.8	100	0.109	1.12
CDH4D28-8R2NT	8.2	100	0.118	1.04
CDH4D28-100NT	10	100	0.128	1.00
CDH4D28-120NT	12	100	0.132	0.84
CDH4D28-150NT	15	100	0.149	0.76
CDH4D28-180NT	18	100	0.166	0.72
CDH4D28-220NT	22	100	0.235	0.70
CDH4D28-270NT	27	100	0.261	0.58
CDH4D28-330NT	33	100	0.378	0.56
CDH4D28-390NT	39	100	0.384	0.50
CDH4D28-470NT	47	100	0.587	0.48
CDH4D28-560NT	56	100	0.625	0.41
CDH4D28-680NT	68	100	0.699	0.35
CDH4D28-820NT	82	100	0.915	0.32
CDH4D28-101MT	100	100	1.020	0.29
CDH4D28-121MT	120	100	1.270	0.27
CDH4D28-151MT	150	100	1.350	0.24
CDH4D28-181MT	180	100	1.540	0.22
CDH4D28-221MT	220	100	1.720	0.20
CDH4D28-271MT	270	100	1.950	0.16
CDH4D28-331MT	330	100	2.660	0.14
CDH4D28-391MT	390	100	2.830	0.13

Note: Beyond the above specification also could satisfy the special requirement

Part Number	L(uH)	Test Freq.(KHz)	DCR max.(Ω)	Rated Current (A)
CDH5D18-4R1NT	4.1	100	0.057	1.95
CDH5D18-5R4NT	5.4	100	0.076	1.60
CDH5D18-6R2NT	6.2	100	0.096	1.40
CDH5D18-8R9NT	8.9	100	0.116	1.25
CDH5D18-100NT	10	100	0.124	1.20
CDH5D18-120NT	12	100	0.153	1.10
CDH5D18-150NT	15	100	0.196	0.97
CDH5D18-180NT	18	100	0.210	0.85
CDH5D18-220NT	22	100	0.290	0.80
CDH5D18-270NT	27	100	0.330	0.75
CDH5D18-330NT	33	100	0.386	0.65
CDH5D18-390NT	39	100	0.520	0.57
CDH5D18-470NT	47	100	0.595	0.54
CDH5D18-560NT	56	100	0.665	0.50
CDH5D18-680NT	68	100	0.840	0.43
CDH5D18-820NT	82	100	0.978	0.41
CDH5D18-101MT	100	100	1.200	0.36
CDH5D18-121MT	120	100	1.500	0.33
CDH5D18-151MT	150	100	1.710	0.31
CDH5D18-181MT	180	100	2.240	0.28
CDH5D18-221MT	220	100	2.440	0.23
CDH5D18-331MT	330	100	4.340	0.18

Note: Beyond the above specification also could satisfy the special requirement

Part Number	L(uH)	Test Freq.(KHz)	DCR max.(Ω)	Rated Current (A)
CDH5D28-1R0NT	1.0	100	0.015	2.80
CDH5D28-2R2NT	2.2	100	0.023	2.60
CDH5D28-4R2NT	4.2	100	0.031	2.20
CDH5D28-5R6NT	5.6	100	0.038	1.90
CDH5D28-6R2NT	6.2	100	0.045	1.80
CDH5D28-8R2NT	8.2	100	0.053	1.60
CDH5D28-100NT	10	100	0.065	1.30
CDH5D28-120NT	12	100	0.076	1.20
CDH5D28-150NT	15	100	0.103	1.10
CDH5D28-180NT	18	100	0.110	1.00
CDH5D28-220NT	22	100	0.122	0.90
CDH5D28-270NT	27	100	0.175	0.85
CDH5D28-330NT	33	100	0.189	0.75
CDH5D28-390NT	39	100	0.212	0.70
CDH5D28-470NT	47	100	0.260	0.62
CDH5D28-560NT	56	100	0.305	0.58
CDH5D28-680NT	68	100	0.355	0.52
CDH5D28-820NT	82	100	0.463	0.46
CDH5D28-101MT	100	100	0.520	0.42
CDH5D28-121MT	120	100	0.560	0.40
CDH5D28-151MT	150	100	0.680	0.35
CDH5D28-181MT	180	100	0.930	0.32
CDH5D28-221MT	220	100	1.150	0.30
CDH5D28-271MT	270	100	1.560	0.27
CDH5D28-331MT	330	100	1.980	0.25
CDH5D28-391MT	390	100	2.500	0.22
CDH5D28-471MT	470	100	2.700	0.20

Note: Beyond the above specification also could satisfy the special requirement

Part Number	L(uH)	Test Freq.(KHz)	DCR max.(Ω)	Rated Current (A)
CDH6D28-3R0NT	3.0	10	0.024	3.00
CDH6D28-3R9NT	3.9	10	0.027	2.60
CDH6D28-5R0NT	5.0	10	0.031	2.40
CDH6D28-6R0NT	6.0	10	0.035	2.25
CDH6D28-7R3NT	7.3	10	0.054	2.10
CDH6D28-8R6NT	8.6	10	0.058	1.85
CDH6D28-100NT	10	10	0.065	1.70
CDH6D28-120NT	12	10	0.070	1.55
CDH6D28-150NT	15	10	0.084	1.40
CDH6D28-180NT	18	10	0.095	1.32
CDH6D28-220NT	22	10	0.128	1.20
CDH6D28-270NT	27	10	0.142	1.05
CDH6D28-330NT	33	10	0.165	0.97
CDH6D28-390NT	39	10	0.210	0.86
CDH6D28-470NT	47	10	0.238	0.80
CDH6D28-560NT	56	10	0.277	0.73
CDH6D28-680NT	68	10	0.304	0.65
CDH6D28-820NT	82	10	0.390	0.60
CDH6D28-101MT	100	10	0.535	0.54
CDH6D28-121MT	120	10	0.750	0.51
CDH6D28-151MT	150	10	0.950	0.47
CDH6D28-181MT	180	10	1.200	0.41
CDH6D28-221MT	220	10	1.500	0.37
CDH6D28-271MT	270	10	1.700	0.33
CDH6D28-331MT	330	10	2.150	0.28
CDH6D28-391MT	390	10	2.250	0.27
CDH6D28-471MT	470	10	3.150	0.21

Note: Beyond the above specification also could satisfy the special requirement

Part Number	L(uH)	Test Freq.(KHz)	DCR max.(Ω)	Rated Current (A)
CDH6D38-3R0NT	3.0	10	0.020	3.50
CDH6D38-5R0NT	5.0	10	0.024	2.90
CDH6D38-6R2NT	6.2	10	0.027	2.50
CDH6D38-7R3NT	7.3	10	0.031	2.30
CDH6D38-8R6NT	8.6	10	0.034	2.20
CDH6D38-100NT	10	10	0.038	2.00
CDH6D38-120NT	12	10	0.053	1.70
CDH6D38-150NT	15	10	0.057	1.60
CDH6D38-180NT	18	10	0.092	1.50
CDH6D38-220NT	22	10	0.096	1.30
CDH6D38-270NT	27	10	0.109	1.20
CDH6D38-330NT	33	10	0.124	1.10
CDH6D38-390NT	39	10	0.138	1.00
CDH6D38-470NT	47	10	0.155	0.95
CDH6D38-560NT	56	10	0.202	0.85
CDH6D38-680NT	68	10	0.234	0.75
CDH6D38-820NT	82	10	0.324	0.70
CDH6D38-101MT	100	10	0.358	0.65
CDH6D38-121MT	120	10	0.470	0.59
CDH6D38-151MT	150	10	0.580	0.54
CDH6D38-181MT	180	10	0.690	0.49
CDH6D38-221MT	220	10	0.890	0.43
CDH6D38-271MT	270	10	1.290	0.40
CDH6D38-331MT	330	10	1.700	0.37
CDH6D38-391MT	390	10	1.750	0.34
CDH6D38-471MT	470	10	2.200	0.32
CDH6D38-561MT	560	10	2.850	0.29
CDH6D38-681MT	680	10	3.200	0.25

Note: Beyond the above specification also could satisfy the special requirement

Part Number	L(uH)	Test Freq.(KHz)	DCR max.(Ω)	Isat (A)	Irms(A)
CDH8D28-1R0NT	1.0	100	0.011	6.50	7.00
CDH8D28-2R5NT	2.5	100	0.016	4.50	6.40
CDH8D28-3R3NT	3.3	100	0.019	4.00	6.00
CDH8D28-4R7NT	4.7	100	0.025	3.40	4.50
CDH8D28-7R3NT	7.3	100	0.039	2.80	3.40
CDH8D28-100NT	10	100	0.047	2.50	3.20
CDH8D28-150NT	15	100	0.069	1.90	2.35
CDH8D28-220NT	22	100	0.099	1.60	1.85
CDH8D28-330NT	33	100	0.156	1.30	1.49
CDH8D28-470NT	47	100	0.195	1.15	1.30
CDH8D28-680NT	68	100	0.286	0.92	0.98
CDH8D28-101MT	100	100	0.430	0.75	0.80

Part Number	L(uH)	Test Freq.(KHz)	DCR max.(Ω)	Isat(A)	Irms(A)
CDH8D38-1R8NT	1.8	100	0.016	7.00	6.80
CDH8D38-2R5NT	2.5	100	0.018	6.50	6.00
CDH8D38-3R3NT	3.3	100	0.024	5.00	5.20
CDH8D38-4R7NT	4.7	100	0.029	4.60	4.40
CDH8D38-6R0NT	6.0	100	0.032	4.20	4.00
CDH8D38-100NT	10	100	0.048	3.00	3.20
CDH8D38-150NT	15	100	0.067	2.75	2.50
CDH8D38-220NT	22	100	0.105	2.30	2.00
CDH8D38-330NT	33	100	0.157	1.75	1.60
CDH8D38-470NT	47	100	0.189	1.52	1.42
CDH8D38-680NT	68	100	0.290	1.30	1.08
CDH8D38-101MT	100	100	0.410	1.05	0.88

Note: Beyond the above specification also could satisfy the special requirement

Part Number	L(uH)	Test Freq.(KHz)	DCR max.(Ω)	Isat (A)	Irms(A)
CDH8D43-1R0NT	1.0	100	0.010	8.50	6.60
CDH8D43-1R2NT	1.2	100	0.013	8.00	6.20
CDH8D43-2R2NT	2.2	100	0.014	7.00	5.50
CDH8D43-3R9NT	3.9	100	0.019	5.90	4.50
CDH8D43-4R7NT	4.7	100	0.022	5.60	4.10
CDH8D43-6R8NT	6.8	100	0.025	4.40	3.90
CDH8D43-100NT	10	100	0.036	4.00	3.20
CDH8D43-150NT	15	100	0.053	2.90	2.30
CDH8D43-220NT	22	100	0.096	2.40	1.80
CDH8D43-330NT	33	100	0.125	2.20	1.40
CDH8D43-470NT	47	100	0.150	1.80	1.30
CDH8D43-680NT	68	100	0.240	1.50	1.00
CDH8D43-101MT	100	100	0.360	1.30	0.80

Part Number	L(uH)	Test Freq.(KHz)	DCR max.(Ω)	Isat (A)	Irms(A)
CDH8D58-4R7MT	4.7	100	0.035	4.0	5.0

Part Number	L(uH)	Test Freq.(KHz)	DCR max.(Ω)	Isat (A)	Irms(A)
CDH103R-R80NT	0.80	100	0.006	11.20	8.30
CDH103R-1R5NT	1.5	100	0.011	8.00	5.80
CDH103R-2R2NT	2.2	100	0.017	6.70	5.10
CDH103R-3R3NT	3.3	100	0.021	5.56	4.70
CDH103R-4R7NT	4.7	100	0.030	4.65	4.00
CDH103R-6R8NT	6.8	100	0.035	3.84	3.60
CDH103R-8R2NT	8.2	100	0.050	3.54	3.00
CDH103R-100NT	10	100	0.059	3.18	2.80
CDH103R-150NT	15	100	0.091	2.60	2.05
CDH103R-220NT	22	100	0.143	2.16	1.60
CDH103R-330NT	33	100	0.202	1.74	1.35
CDH103R-470NT	47	100	0.299	1.43	1.20
CDH103R-560NT	56	100	0.325	1.36	1.15
CDH103R-680NT	68	100	0.429	1.22	0.95
CDH103R-820NT	82	100	0.494	1.14	0.80
CDH103R-101MT	100	100	0.683	1.02	0.70
CDH103R-121MT	120	100	0.754	0.89	0.65
CDH103R-151MT	150	100	0.871	0.84	0.51

Note: Beyond the above specification also could satisfy the special requirement

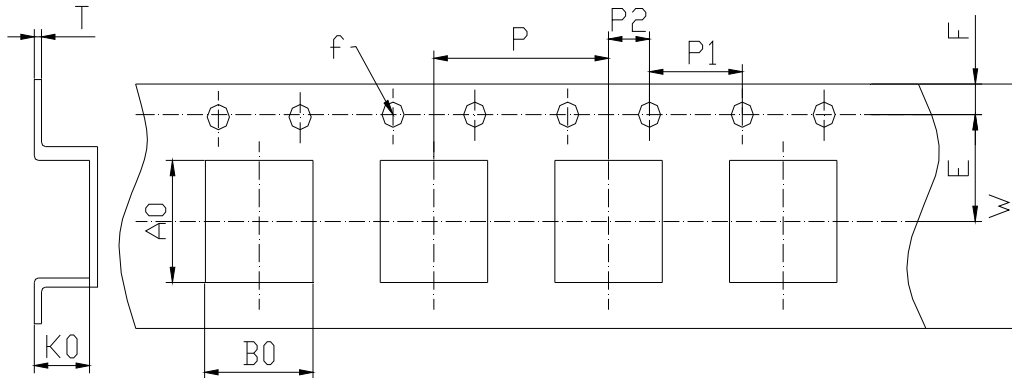
Part Number	L(uH)	Test Freq.(KHz)	DCR max.(Ω)	Isat (A)	Irms (A)
CDH104R-1R5NT	1.5	100	0.008	10.00	6.50
CDH104R-2R7NT	2.7	100	0.011	7.50	6.10
CDH104R-3R9NT	3.9	100	0.013	6.00	5.50
CDH104R-5R2NT	5.2	100	0.022	5.50	5.40
CDH104R-6R8NT	6.8	100	0.027	4.80	4.50
CDH104R-100NT	10	100	0.035	4.40	3.80
CDH104R-120NT	12	100	0.046	3.70	3.40
CDH104R-150NT	15	100	0.050	3.60	3.10
CDH104R-180NT	18	100	0.069	3.10	2.60
CDH104R-220NT	22	100	0.073	2.90	2.50
CDH104R-270NT	27	100	0.088	2.60	2.30
CDH104R-330NT	33	100	0.093	2.30	2.20
CDH104R-390NT	39	100	0.127	2.20	2.00
CDH104R-470NT	47	100	0.128	2.10	1.90
CDH104R-560NT	56	100	0.188	1.65	1.50
CDH104R-680NT	68	100	0.213	1.50	1.42
CDH104R-820NT	82	100	0.283	1.45	1.30
CDH104R-101MT	100	100	0.304	1.35	1.25
CDH104R-121MT	120	100	0.375	1.20	1.08
CDH104R-151MT	150	100	0.506	1.15	0.85
CDH104R-181MT	180	100	0.568	1.00	0.75
CDH104R-221MT	220	100	0.756	0.92	0.70
CDH104R-271MT	270	100	0.853	0.84	0.55
CDH104R-331MT	330	100	1.090	0.70	0.52

Note: Beyond the above specification also could satisfy the special requirement

Part Number	L(uH)	Test Freq.(KHz)	DCR max.(Ω)	Isat (A)	Irms (A)
CDH105R-R80NT	0.8	100	0.005	9.50	13.50
CDH105R-1R5NT	1.5	100	0.006	8.30	10.50
CDH105R-2R2NT	2.2	100	0.008	7.50	9.25
CDH105R-3R3NT	3.3	100	0.011	6.50	7.80
CDH105R-4R7NT	4.7	100	0.013	6.10	6.40
CDH105R-6R8NT	6.8	100	0.018	5.40	5.40
CDH105R-8R2NT	8.2	100	0.020	5.00	4.85
CDH105R-100NT	10	100	0.026	4.50	4.45
CDH105R-120NT	12	100	0.033	3.80	4.00
CDH105R-150NT	15	100	0.041	3.40	3.60
CDH105R-180NT	18	100	0.046	3.10	3.20
CDH105R-220NT	22	100	0.061	2.90	2.95
CDH105R-270NT	27	100	0.069	2.60	2.70
CDH105R-330NT	33	100	0.084	2.50	2.40
CDH105R-390NT	39	100	0.106	2.25	2.30
CDH105R-470NT	47	100	0.130	2.00	2.00
CDH105R-560NT	56	100	0.149	1.90	1.90
CDH105R-680NT	68	100	0.201	1.60	1.65
CDH105R-820NT	82	100	0.227	1.45	1.50
CDH105R-101MT	100	100	0.253	1.35	1.35
CDH105R-121MT	120	100	0.303	1.18	1.28
CDH105R-151MT	150	100	0.370	1.10	1.12
CDH105R-181MT	180	100	0.419	1.00	1.04
CDH105R-221MT	220	100	0.500	0.94	0.94
CDH105R-271MT	270	100	0.672	0.80	0.84
CDH105R-331MT	330	100	0.812	0.73	0.75
CDH105R-391MT	390	100	0.953	0.70	0.70
CDH105R-471MT	470	100	1.289	0.54	0.60
CDH105R-561MT	560	100	1.430	0.52	0.54
CDH105R-681MT	680	100	1.599	0.51	0.52
CDH105R-821MT	820	100	1.768	0.48	0.50
CDH105R-102MT	1000	100	1.989	0.42	0.48

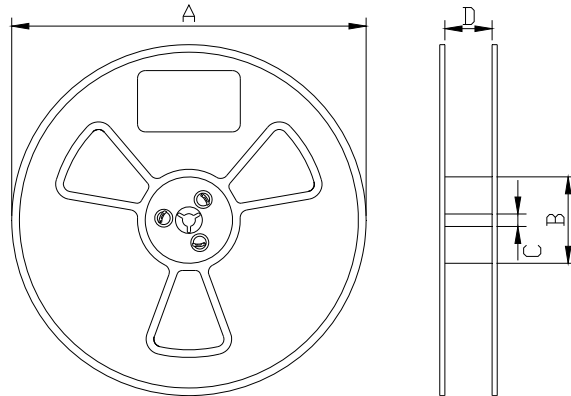
Note: Beyond the above specification also could satisfy the special requirement

CDH Series Packaging



SIZE	A0	B0	E	F	f	P	P1	P2	W	T	K0
CDH2D11	3.3	3.3	5.5	1.75	1.5	8.0	4.0	2.0	12.0	0.3	1.3
CDH2D14	3.3	3.3	5.5	1.75	1.5	8.0	4.0	2.0	12.0	0.3	1.6
CDH2D18	3.3	3.3	5.5	1.75	1.5	8.0	4.0	2.0	12.0	0.3	2.1
CDH3D11	4.3	4.3	5.5	1.75	1.5	8.0	4.0	2.0	12.0	0.3	1.3
CDH3D16H	4.3	4.3	5.5	1.75	1.5	8.0	4.0	2.0	12.0	0.3	1.9
CDH3D16	4.3	4.3	5.5	1.75	1.5	8.0	4.0	2.0	12.0	0.3	1.9
CDH3D18	4.3	4.3	5.5	1.75	1.5	8.0	4.0	2.0	12.0	0.3	2.1
CDH3D28	4.3	4.3	5.5	1.75	1.5	8.0	4.0	2.0	12.0	0.3	3.1
CDH4D18	5.2	5.2	5.5	1.75	1.5	8.0	4.0	2.0	12.0	0.3	2.1
CDH4D28	5.2	5.2	5.5	1.75	1.5	8.0	4.0	2.0	12.0	0.3	3.1
CDH5D18	6.2	6.2	5.5	1.75	1.5	12.0	4.0	2.0	16.0	0.3	3.1
CDH5D28	6.2	6.2	5.5	1.75	1.5	12.0	4.0	2.0	16.0	0.3	3.1
CDH6D28	7.2	7.2	7.5	1.75	1.5	12.0	4.0	2.0	16.0	0.3	3.1
CDH6D38	7.2	7.2	7.5	1.75	1.5	12.0	4.0	2.0	16.0	0.3	4.1
CDH8D28	9.2	9.2	7.5	1.75	1.5	12.0	4.0	2.0	16.0	0.35	3.1
CDH8D38	9.2	9.2	7.5	1.75	1.5	12.0	4.0	2.0	16.0	0.35	4.1
CDH8D43	9.2	9.2	7.5	1.75	1.5	12.0	4.0	2.0	16.0	0.35	4.8
CDH8D58	9.2	9.2	7.5	1.75	1.5	12.0	4.0	2.0	16.0	0.35	4.8
CDH103R	10.5	10.5	11.5	1.75	1.5	16.0	4.0	2.0	24.0	0.35	3.1
CDH104R	10.5	10.5	11.5	1.75	1.5	16.0	4.0	2.0	24.0	0.35	4.1
CDH105R	10.5	10.5	11.5	1.75	1.5	16.0	4.0	2.0	24.0	0.35	5.1

Note: Beyond the above specification also could satisfy the special requirement



SIZE	A	B	C	D	Reel/PCS
CDH2D11	178	60	13	12.5	1000
CDH2D14	178	60	13	12.5	1000
CDH2D18	178	60	13	12.5	1000
CDH3D11	178/330	60/100	13	12.5	1000/3000
CDH3D16H	178/330	60/100	13	12.5	1000/3000
CDH3D16	178/330	60/100	13	12.5	1000/3000
CDH3D18	178/330	60/100	13	12.5	1000/3000
CDH3D28	330	100	13	12.5	2000
CDH4D18	330	100	13	12.5	3000
CDH4D28	330	100	13	12.5	2000
CDH5D18	330	100	13	12.5	2000
CDH5D28	330	100	13	12.5	1500
CDH6D28	330	100	13	16.5	1500
CDH6D38	330	100	13	16.5	1000
CDH8D28	330	100	13	16.5	1500
CDH8D38	330	100	13	16.5	1000
CDH8D43	330	100	13	16.5	1000
CDH8D58	330	100	13	16.5	1000
CDH103R	330	100	13	24.5	1000
CDH104R	330	100	13	24.5	1000
CDH105R	330	100	13	24.5	800

Note: Beyond the above specification also could satisfy the special requirement