



1A Single Chip Li-Ion and Li-Polymer Charger

General Description

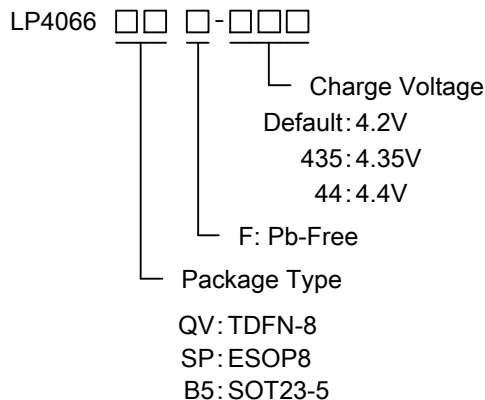
The LP4066 is a complete constant-current/ constant voltage linear charger for single cell lithium-ion battery. Its SOT23-5/TDFN-8/ESOP8 package and low external component count make the LP4066 ideally suited for portable applications.

The charge current and termination current could be programmed by external resistors. While the battery voltage is lower than 2.6V, the charge current is typically 10% of the programmed charge current. During the constant voltage phases, if the charge current reduces to the termination current level, the device will disable the internal power MOS and CHRG goes high impedance, which signals the charge cycle is termination.

When the input supply is removed, the LP4066 automatically enters a low current state, dropping the battery drain current to less than 1µA.

Other features include charge current monitor, under voltage lockout, automatic recharge and a status pin to indicate charge termination and the presence of an input voltage.

Order Information



Features

- ◆ Input Voltage up to 36V
- ◆ Battery Maximum Voltage up to 20V
- ◆ Input Over Voltage Protection : 6.3V
- ◆ Short-circuit protection
- ◆ Programmable Charge Current up to 1000mA
- ◆ <1µA Battery Reverse Current
- ◆ Protection of Reverse Connection of Battery
- ◆ No MOSFET, Sense Resistor or Blocking Diode Required
- ◆ Constant-Current/Constant-Voltage Operation with Thermal Regulation to Maximize Charge Rate Without Risk of Overheating
- ◆ SOT23-5 /TDFN-8/ESOP8 Package
- ◆ RoHS Compliant and 100% Lead (Pb)-Free

Applications

- ◇ Portable Media Players/Game
- ◇ Power Bank
- ◇ Bluetooth Applications
- ◇ PDA/MID

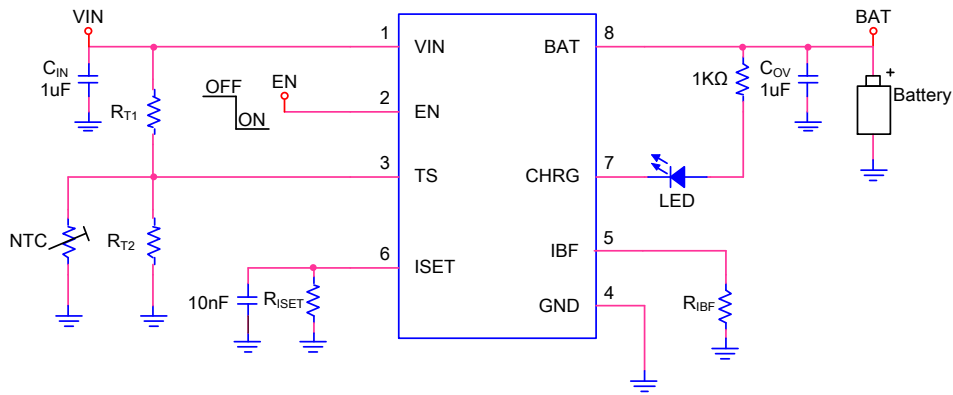


Marking Information

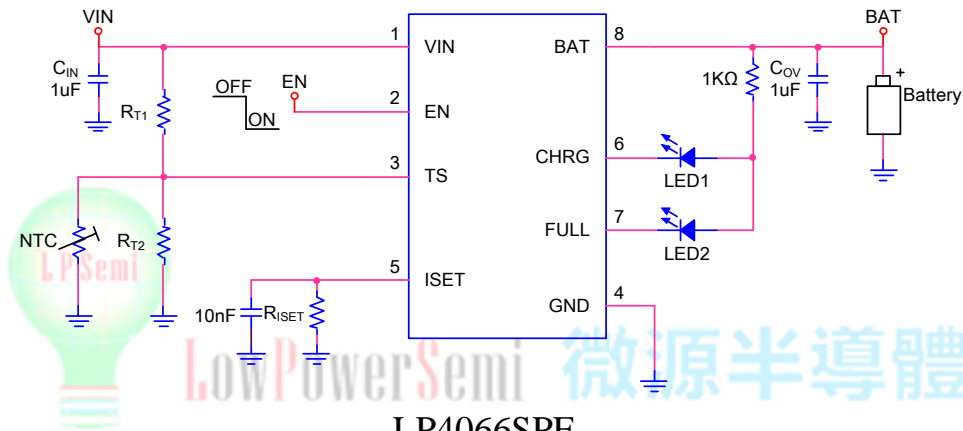
Device	Marking	Package	Shipping
LP4066B5F	LP4066 YWX	SOT23-5	3K/RELL
LP4066B5F-435	LP4066 435YWX	SOT23-5	3K/RELL
LP4066B5F-44	LP4066 44YWX	SOT23-5	3K/RELL
LP4066QVF	LPS LP4066 YWX	TDFN-8	4K/RELL
LP4066QVF-435	LPS LP4066 435YWX	TDFN-8	4K/RELL
LP4066QVF-44	LPS LP4066 44YWX	TDFN-8	4K/RELL
LP4066SPF	LPS LP4066 YWX	ESOP8	4K/RELL
LP4066SPF-435	LPS LP4066 YWX	ESOP8	4K/RELL
LP4066SPF-44	LPS LP4066 YWX	ESOP8	4K/RELL
Marking indication: Y:Production year W:Production week X: Series Number			



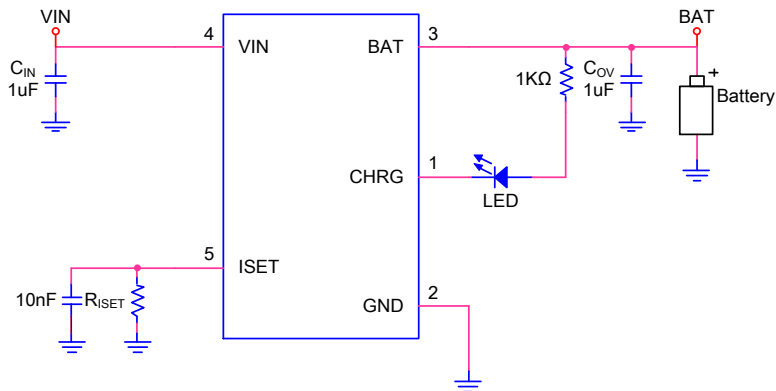
Typical Application Circuit



LP4066QVF



LP4066SPF



LP4066B5F



Functional Pin Description

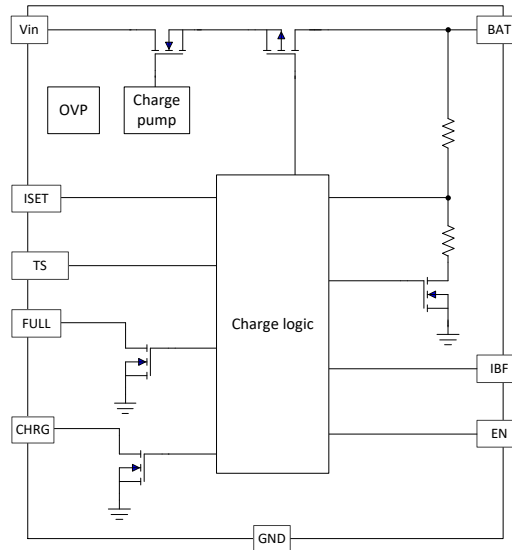
Package Type	SOT23-5	TDFN-8	ESOP8
Pin Configurations	<p>TOP VIEW</p>	<p>TOP VIEW</p>	<p>TOP VIEW</p>

Pin Description

NAME	Pin No.			DESCRIPTION
	TDFN-8	SOT23-5	ESOP8	
VIN	1	4	1	VIN is the input power source. Connect to a wall adapter.
EN	2	-	2	Charge Enable Input (active low).
TS	3	-	3	Temperature detection pin
GND	4	2	4	GND is the connection to system ground.
IBF	5	-	-	Termination Current Program.
ISET	6	5	5	Charge Current Program. The charge current is programmed by connecting a 1% resistor(R_{ISET}) to ground. $I_{BAT} = \frac{1800 \times V_{ISET}}{R_{ISET}}$
CHRG	7	1	6	Open-Drain Charge Status Output. When the battery is charging, the CHRG pin is pulled low by an internal NMOS. When the charge cycle is completed, the pin could be pulled High by an external pull high resistor.
FULL	-	-	7	Open-Drain Charge Status Output. When the battery is charging, the FULL pin could be pulled High by an external pull high resistor. When the charge cycle is completed, the pin is pulled Low by an internal N-channel MOSFET.
BAT	8	3	8	BAT is the connection to the battery. Typically a 10 μ F Tantalum capacitor is needed for stability when there is no battery attached. When a battery is attached, only a 1 μ F ceramic capacitor is required.



Function Block Diagram



Absolute Maximum Ratings ^{Note 1}

- ✧ Input Voltage to GND ----- -0.3V to 36V
- ✧ BAT Voltage GND ----- - 5V to 20V
- ✧ Other pin to GND ----- -0.3V to 6.5V
- ✧ Maximum Junction Temperature ----- 125°C
- ✧ Maximum Soldering Temperature (at leads, 10 sec) ----- 260°C
- ✧ Storage Temperature ----- -65°C to 165°C

Thermal Information

- ✧ Maximum Power Dissipation ($P_D, T_A=25^\circ C$) ----- 0.6W
- ✧ Thermal Resistance (θ_{JA}) ----- 200°C/W

ESD Susceptibility

- ✧ HBM(Human Body Mode) ----- 2KV
- ✧ MM(Machine Mode) ----- 200V

Note 1. Stresses beyond those listed under "Absolute Maximum Ratings" may cause permanent damage to the device. These are stress ratings only, and functional operation of the device at these or any other conditions beyond those indicated in the operational sections of the specifications is not implied. Exposure to absolute maximum rating conditions for extended periods may affect device reliability.

Recommended Operating Conditions

- ✧ Input supply voltage ----- 4.5V to 5.8V
- ✧ Operating Ambient Temperature Range ----- -40°C to 85°C



Electrical Characteristics

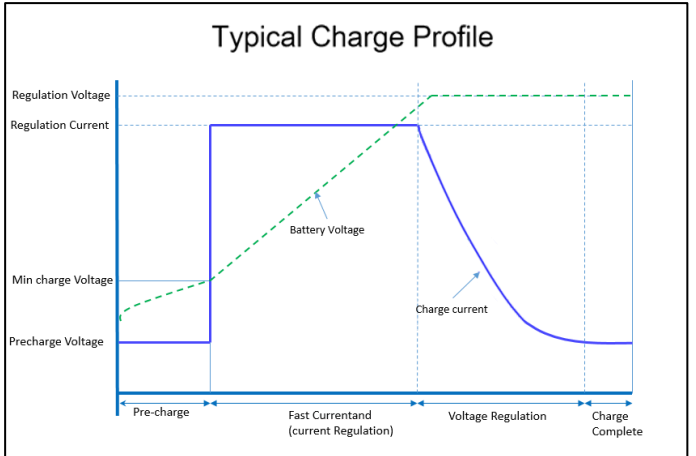
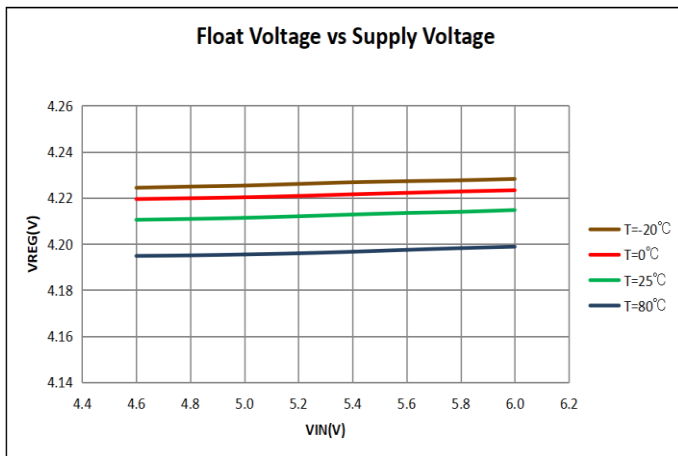
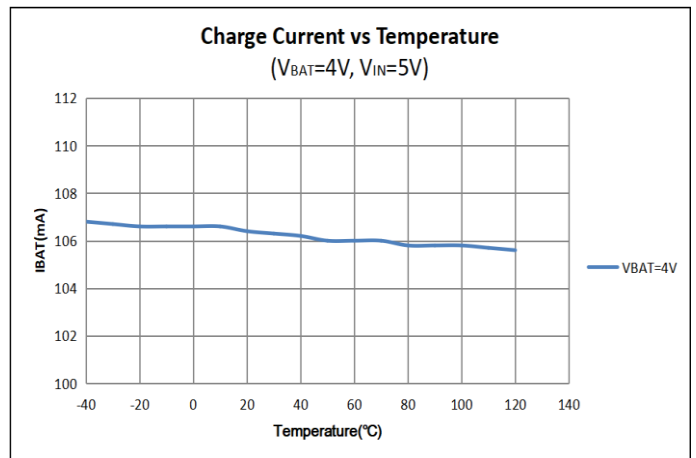
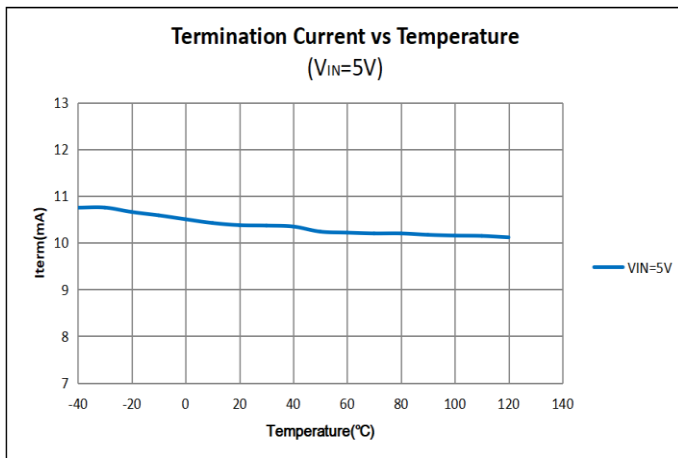
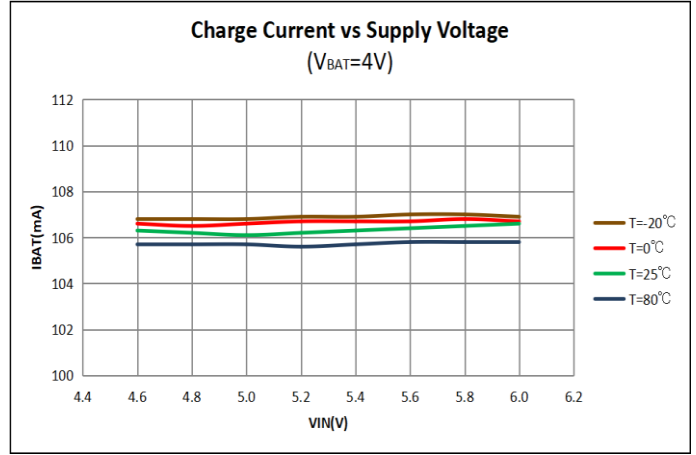
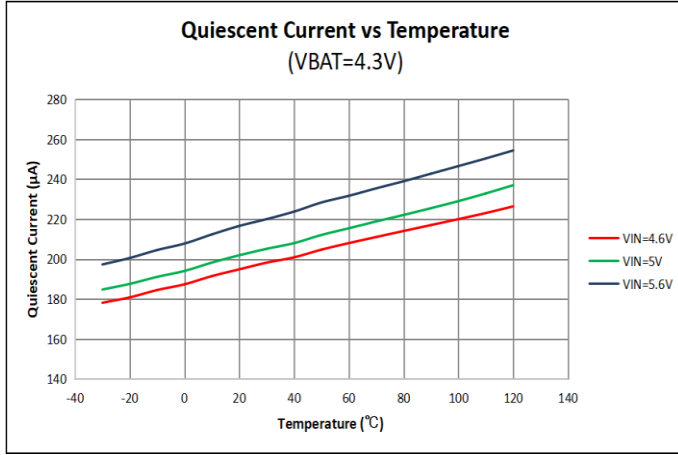
($T_A=25^{\circ}\text{C}$, $V_{IN}=5\text{V}$, unless otherwise noted.)

SYMBOL	PARAMETER	CONDITIONS	MIN	TYP.	MAX	UNITS
I_{IN}	Input Supply Current	$I_{BAT}=4.2\text{V}$		40		μA
V_{EN_ON}	EN Logic-Low Voltage Threshold				0.4	V
V_{EN_OFF}	EN Logic-High Voltage Threshold		1.4			V
V_{FLOAT}	Regulated Output (Float) Voltage	$I_{BAT}=40\text{mA}$, LP4066XXX	4.158	4.2	4.242	V
		$I_{BAT}=40\text{mA}$, LP4066XXX-435	4.307	4.35	4.3935	V
		$I_{BAT}=40\text{mA}$, LP4066XXX-44	4.356	4.4	4.444	V
V_{UV}	V_{IN} Under Voltage Lockout Threshold	From V_{IN} Low to High		3.3		V
V_{OVP}	Input Voltage OVP	V_{IN} Rising		6.3		V
V_{OVP_HYS}	OVP Hysteresis			300		mV
I_{BAT}	BAT Pin Current	$R_{ISET}=3.6\text{k}$, Current Mode		500		mA
		$R_{ISET}=18\text{k}$, Current Mode		100		mA
		$V_{IN}=\text{float}$		0.1		μA
I_{TRIKL}	Trickle Charge Current	$V_{BAT}<V_{TRIKL}$, $R_{ISET}=10\text{k}$, Current Mode		10		$\%I_{BAT}$
V_{TRIKL}	Trickle Charge Threshold Voltage	V_{BAT} Rising		2.6		V
V_{TRHYS}	Trickle Charge Hysteresis Voltage			150		mV
I_{TERM}	Termination Current Threshold	LP4066B5F/LP4066SPF		10		$\%I_{BAT}$
		LP4066QVF	5		90	$\%I_{BAT}$
V_{ISET}	ISET Pin Voltage	$R_{ISET}=10\text{k}$, Current Mode		1		V
I_{CHRG}	CHRG Pin Weak Pull-Down Current	$V_{CHRG}=5\text{V}$			5	μA
V_{CHRG}	CHRG Pin Output Low Voltage	$I_{CHRG}=5\text{mA}$			0.5	V
V_{TS_H}	TS high voltage thresholds	LP4066QVF/LP4066SPF		60		$\%V_{IN}$
V_{TS_L}	TS low voltage thresholds	LP4066QVF/LP4066SPF		30		$\%V_{IN}$
V_{TS_HYS}	TS voltage hysteresis	LP4066QVF/LP4066SPF		30		mV
ΔV_{RECHRG}	Recharge Battery Threshold Voltage	$V_{FLOAT}-V_{RECHRG}$		150		mV
T_{LIM}	Junction Temperature in Constant Temperature Mode			125		$^{\circ}\text{C}$



Typical Performance Characteristics

($C_{IN}=C_{OUT}=10\mu F, R_{ISET}=16.5K$, unless otherwise noted)





Application Information

Input Voltage Range

The LP4066 has built-in input voltage surge protection as high as +36V. The charger IC will be automatically disabled when the input voltage is lower than 3.3V or higher than 6.3V.

A charge cycle begins when the voltage at the VIN pin rises above the 4.4V level, when a battery is connected to the charger output. If the BAT pin is less than 2.6V, the charger enters trickle charge mode. In this mode, the LP4066 supplies approximately 1/10 the ISET programmed charge current to bring the battery voltage up to a safe level for full current charging. When the BAT pin voltage rises above 2.6V, the charger enters constant-current mode(CC), where the ISET programmed charge current is supplied to the battery. When the BAT pin approaches the final float voltage, the LP4066 enters constant-voltage mode(CV) and the charge current begins to decrease, and the battery full indication is set when the charge current in the CV mode is reduced to the programmed full battery current.

ISET programming Charge Current

The charge current (I_{BAT}) is set by a resistor (R_{ISET}) connecting from the ISET pin to GND. The relationship of the charge current and the programming resistance is established by the following equations ($V_{ISET}=1V$).

$$I_{BAT} = \frac{1800 \times V_{ISET}}{R_{ISET}}$$

Termination Charge Current Programmed

(LP4066QVF)

The battery charge Termination current threshold (I_{BF}) is programmed by connecting a resistor R_{IBF} from the I_{BF} pin to GND:

$$I_{TERM} = \frac{R_{ISET} \times I_{BAT}}{R_{IBF}}$$

Battery Temperature Detection

(LP4066QVF/LP4066SPF)

An internal resistor divider sets the low temperature threshold (V_{TS_L}) and high temperature threshold (V_{TS_H}) at 60% of VIN and 30% of VIN, respectively. For a given TS thermistor, select an appropriate RT1 and RT2 to set the TS window with following equation:

$$\frac{V_{TS_L}}{V_{IN}} = \frac{R_{T2} \parallel R_{TS_COLD}}{R_{T1} + R_{T2} \parallel R_{TS_COLD}} = T_L = 60\%$$

$$\frac{V_{TS_H}}{V_{IN}} = \frac{R_{T2} \parallel R_{TS_HOT}}{R_{T1} + R_{T2} \parallel R_{TS_HOT}} = T_H = 30\%$$

Where R_{TS_HOT} is the value of the TS resistor at the upper bound of its operating temperature range, and R_{TS_COLD} is its lower bound. The two resistors RT1 and RT2 determine the upper and lower temperature limits independently. This flexibility allows the IC to operate with most TS resistors for different temperature range requirements. Calculate RT1 and RT2 with following equation:

$$R_{T1} = \frac{R_{TS_HOT} \times R_{TS_COLD} \times (T_L - T_H)}{T_H \times T_L \times (R_{TS_COLD} - R_{TS_HOT})}$$

$$R_{T2} = \frac{R_{TS_HOT} \times R_{TS_COLD} \times (T_L - T_H)}{(1 - T_L) \times T_H \times R_{TS_COLD} - (1 - T_H) \times T_L \times R_{TS_HOT}}$$

Automatic Recharge

Once the charge cycle is terminated, the LP4066 continuously monitors the voltage on the BAT pin. A charge cycle restarts when the battery voltage falls below 4.05V (which corresponds to approximately 80% to 90% battery capacity). This ensures that the battery is kept at or near a fully charged condition and eliminates the need for periodic charge cycle initiations.



Charge Status Indicator(CHRG/FULL)

After application of a 5V source, the input voltage rises above the UVLO and sleep thresholds ($V_{IN} > V_{BAT} + V_{DT}$), but is less than OVP ($V_{IN} < V_{OVP}$), then the PG turns on and provides a low impedance path to ground.

CHRG has two different states: strong pull-down (~5mA) and high impedance. The strong pull-down state indicates that the LP4066A is in a charge cycle. When the charger is entered CV mode and once the charge current has reduced to the battery full charge current threshold (I_{TERM}), the CHRG pin will become high impedance.

Function	CHRG	FULL
Charging	Low	High
Charge Finish	High	Low

Thermal Limiting

An internal thermal feedback loop reduces the I_{SET} programmed charge current if the die temperature attempts to rise above a preset value of approximately 125°C. This feature protects the LP4066 from excessive temperature and allows the user to push the limits of the power handling capability of a given circuit board without risk of damaging the LP4066. The charge current can be set according to typical (not worst-case) ambient temperature with the assurance that the charger will automatically reduce the current in worst-case conditions.

Power Dissipation

The conditions that cause the LP4066 to reduce charge current through thermal feedback can be approximated by considering the power dissipated in the IC. Nearly all of this power dissipation is generated by the internal MOSFET calculated to be approximately:

$$P_D = (V_{IN} - V_{BAT}) \times I_{BAT}$$

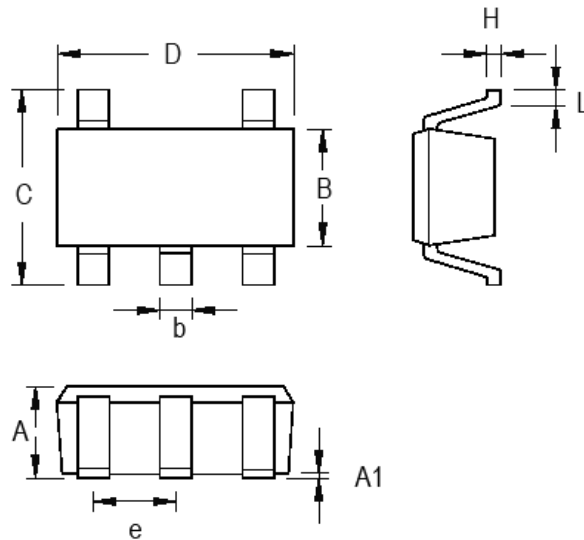
Where P_D is the power dissipated, V_{IN} is the input supply voltage, V_{BAT} is the battery voltage and I_{BAT} is the charge current. The approximate ambient temperature at which the thermal feedback begins to protect the IC is:

$$T_A = 125^\circ\text{C} - P_D \times \theta_{JA}$$



Packaging Information

SOT23-5

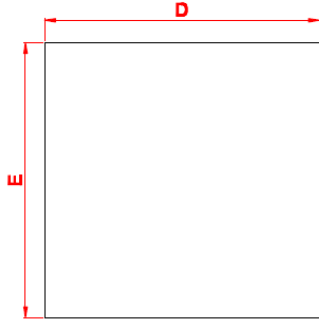


Symbol	Dimensions In Millimeters		Dimensions In Inches	
	Min	Max	Min	Max
A	0.889	1.295	0.035	0.051
A1	0.000	0.152	0.000	0.006
B	1.397	1.803	0.055	0.071
b	0.356	0.559	0.014	0.022
C	2.591	2.997	0.102	0.118
D	2.692	3.099	0.106	0.122
e	0.838	1.041	0.033	0.041
H	0.080	0.254	0.003	0.010
L	0.300	0.610	0.012	0.024

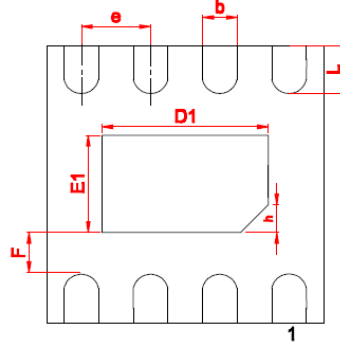
SOT-23-5 Surface Mount Package



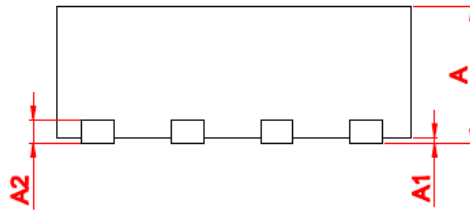
TDFN-8(2*2)



TOP VIEW



BOTTOM VIEW

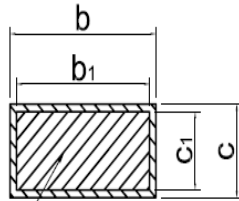
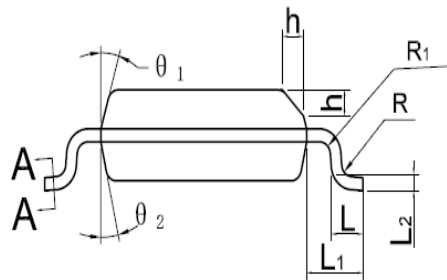
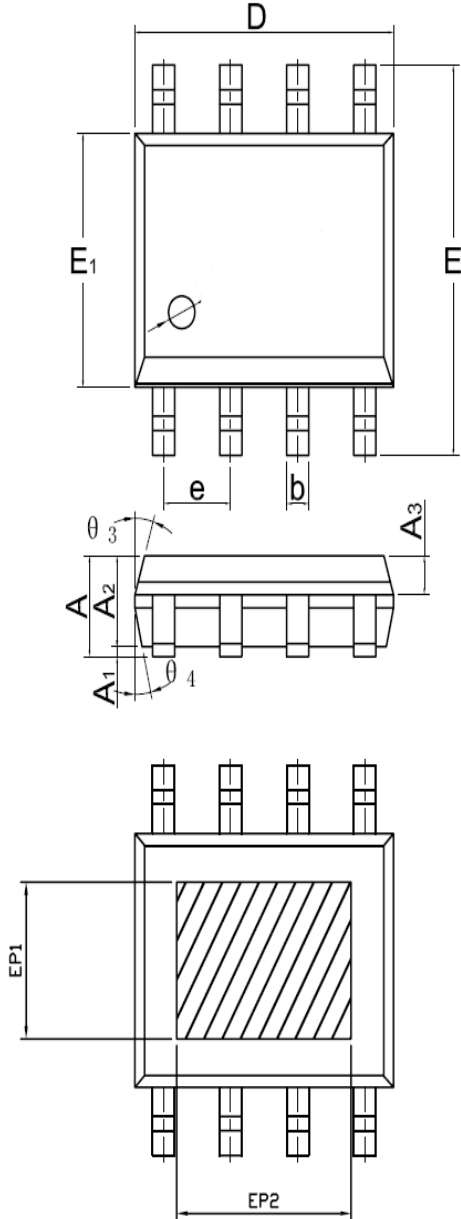


SIDE VIEW

SYMBOL	MILLIMETER		
	MIN	NOM	MAX
A	0.700	0.750	0.800
A1	0.000	0.020	0.050
b	0.200	0.250	0.300
A2	0.180	0.200	0.220
D	1.900	2.000	2.100
E	1.900	2.000	2.100
D1	1.100	1.200	1.300
E1	0.600	0.700	0.800
e	0.450	0.500	0.550
L	0.300	0.350	0.400
F	0.250	0.300	0.350
h	REF0.180		



ESOP8



BASE METAL

SECTION-A-A
6:1

DIMENSIONS IN MILLIMETERS

SYMBOL	MIN	NOM	MAX
A	1,35	1,55	1,75
A ₁	0,00	—	0,10
A ₂	1,25	1,40	1,65
A ₃	0,50	0,60	0,70
b	0,39	—	0,49
b ₁	0,28	—	0,48
c	0,10	—	0,25
c ₁	0,10	—	0,23
D	4,80	4,90	5,00
E	5,80	6,00	6,20
E ₁	3,80	3,90	4,00
e	1,27BSC		
L	0,45	—	1,00
L ₁	1,04REF		
L ₂	0,25BSC		
R	0,07	—	—
R ₁	0,07	—	—
h	0,3	0,4	0,5
	0°	—	8°
θ_1	11°	17°	19°
θ_2	11°	13°	15°
θ_3	15°	17°	19°
θ_4	11°	13°	15°
EP1	2,40	—	—
EP2	3,30	—	—