

■ Features

- Molding Inductor.
- Low Profile,Low Temp.
- Large Current(Over 15A).
- Customize For Different Need.
- Operating temperature:-40°C ~ +125°C.

■ Applications

- General Electronic.
- Video Device,TV,TFT.
- Power Module for PC.
- NB/Lap Top Computer.
- Server,VGA Card/Module.

■ Product Identification

YSPIA □□□□□ - □□□ □
 (1) (2) (3) (4)

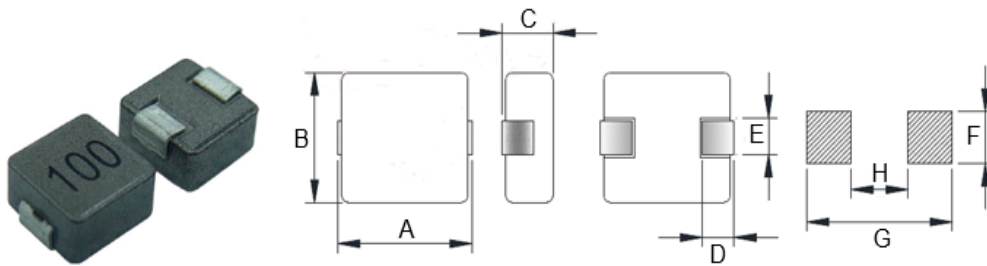
(1) : Type

(2) : Dimensions

(3) : Inductance value

(4) : Inductance Tolerance : N=±30%,M=±20% , K=±10%

■ Shapes and Dimensions (Unit: mm)



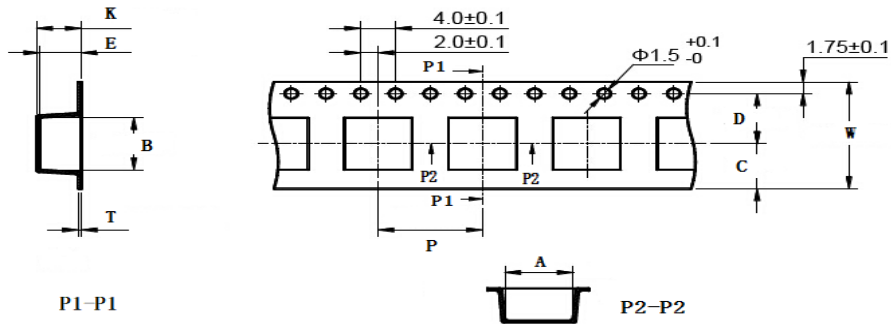
TYPE	A	B	C Max.	D	E	F Ref.	G Ref.	H Ref.
YSPIA1770	18.25±0.5	17.0±0.3	7.0	3.3±0.5	12±0.3	12.8	18.8	10.0

■ YSPIA1770 Series

Part Number	Inductance (uH) @100KHz	DC Resistance (mΩ)		Heat Rating Current (A)	Saturation Current (A)
		Typ.	Max.		
YSPIA1770-1R5□	1.5	1.7	2.0	25.0	55.0
YSPIA1770-2R2□	2.2	2.0	2.5	20.0	45.0
YSPIA1770-3R3□	3.3	3.0	3.5	17.0	40.0
YSPIA1770-4R7□	4.7	4.0	4.6	15.0	32.0
YSPIA1770-6R8□	6.8	6.5	7.5	13.0	28.0
YSPIA1770-8R2□	8.2	8.1	9.0	12.0	21.0
YSPIA1770-100□	10	9.3	11.0	10.0	19.0
YSPIA1770-150□	15	18.5	25.0	9.0	17.0
YSPIA1770-220□	22	22.5	30.0	8.0	15.0
YSPIA1770-330□	33	35.0	45.0	7.0	13.0
YSPIA1770-470□	47	41.0	52.0	6.0	11.0
YSPIA1770-560□	56	74.0	85.0	5.5	9.0
YSPIA1770-680□	68	74.0	85.0	5.2	6.5
YSPIA1770-101□	100	100	125	3.5	5.0

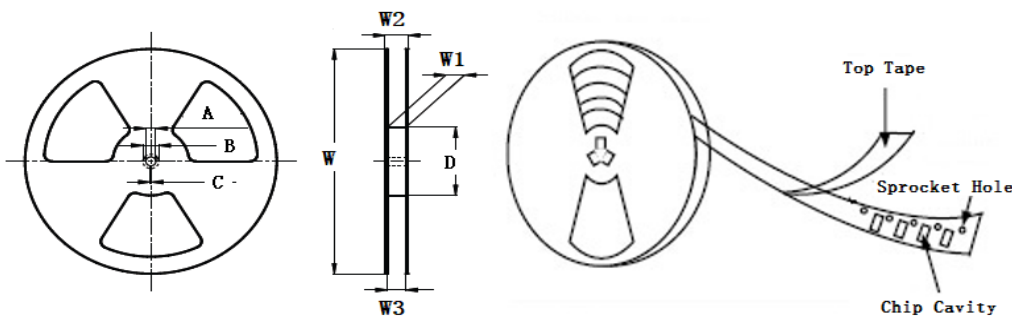
- ※ The saturation current value is the DC current value having inductance decrease down to 30%. (at 20°C)
- ※ The temperature rise current value is the DC current value having temperature increase up to 40°C. (at 20°C)
- ※ The rated current is the DC current value that satisfies both of current value saturation current value and temperature rise current value.

■ Taping Dimensions(Unit:mm)



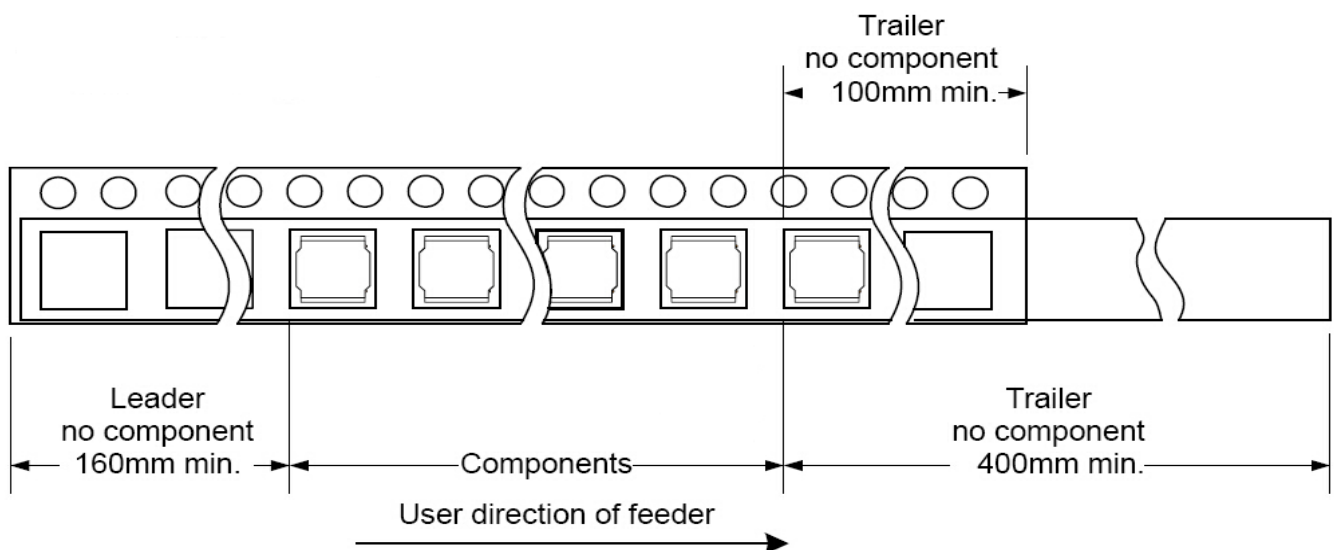
TYPE	W	A	B	C	D	E	P	K Ref	T	MPQ
YSPIA1770	32±0.3	17.5±0.1	18.8±0.1	10.75	11.5±0.1	7.0±0.1	24±0.1	7.5	0.50±0.05	300

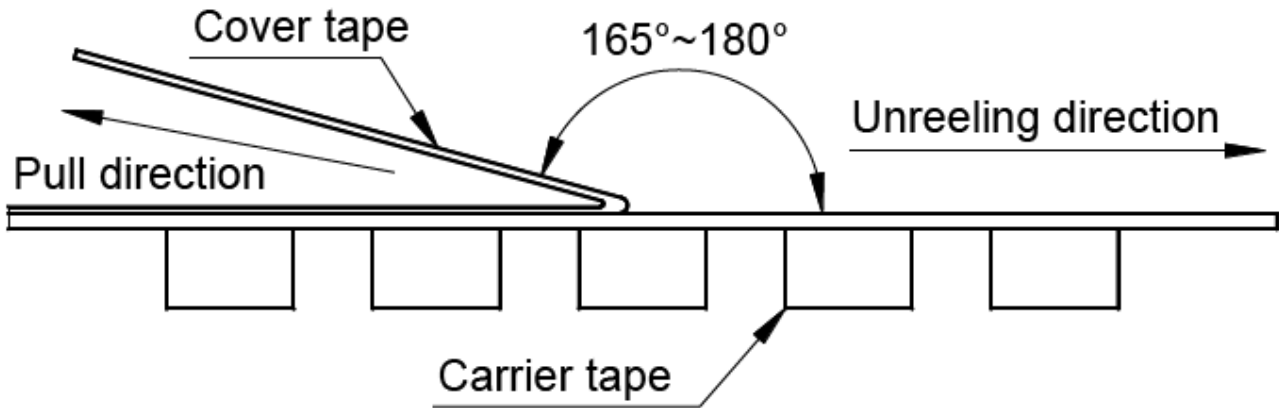
■ Reel Dimensions(Unit:mm)



TYPE	W	W1	W2	W3	A	B	C	D
YSPIA1770	330±2.0	32.5±1.5	30.4MAX	23.9 Min	13.0±0.50	21.0±0.80	2.0±0.50	100 Min

■ Direction of rolling



■ Cover tape peel off condition

Cover tape peel force shall be 0.1N to 1.3N.

Reference peel speed 300 ± 10 mm/min.