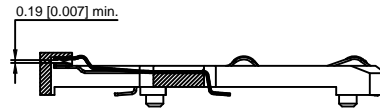
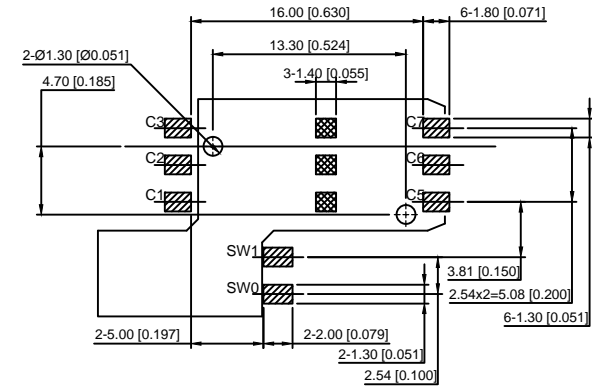
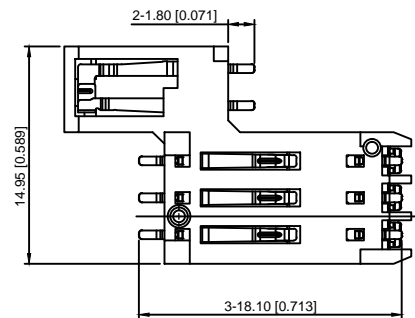
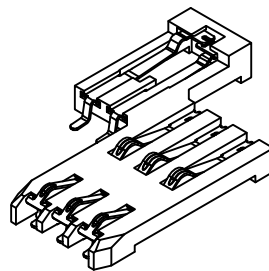
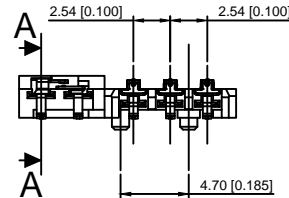
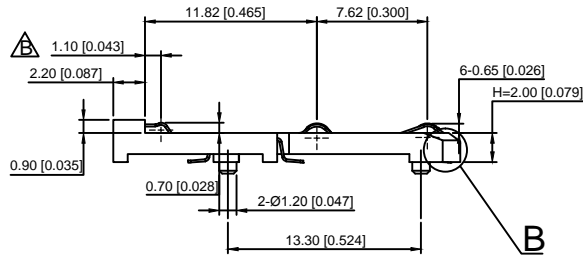


Detail B
Scale 5:1



Section A-A

XKB Connectivity



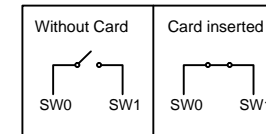
BOARD PAD NO WIRING AREA

Recommended PCB Layout
General Tolerance: ±0.05mm

XKB Connectivity

NOTE:

- 1.材料 Material:
1-1 胶壳 Housing: High Temperature Thermoplastic, LCP, Color:Black, UL94V-0
1-2 终端和开关 Terminal and Switch: Phosphor Bronze, T=0.15mm
- 2.电镀 Plating:
接触电阻 Contact Area: Gold 1u"
焊料区 Solder Area: Matte Tin 100u"min.
底镀 Underplating: Ni overall 80u" min.
- 3.规格 Specification:
3-1 触点额定电流 Contact Current Rating: 0.5A
3-2 绝缘耐电压 Dielectric Withstanding Voltage: AC500V r.ms.
3-3 绝缘电阻 Insulation Resistance: 1000 MΩ Minimum, at DC 500V.
3-4 接触电阻 Contact Resistance: 100 mΩ Maximum.
3-5 寿命 Mating Cycle: 100,000 Insertions.



					ANGLAR	±5°
ΔX					L ≤ 4	±0.2
ΔX					4 < L ≤ 16	±0.3
ΔX					16 < L ≤ 63	±0.4
MARK					L > 63	±0.5
REVISIONS					UNSPECIFIED TOLERANCES	
DESCRIPTION		DATE	REVISED	APPROVED		
www.xk-dg.cn		www.helloxkb.com		www.helloxkb.cn		

DSND		DATE		SCALE: N/A	MODEL TYPE: Smart card CONN	
DWN		DATE		VIEW:	PART NO.:	
CHKD		DATE		UNIT: mm/in	DWG NO.:	
APPD		DATE		SIZE: A4	XKSMC-1200-200	
XKB INDUSTRIAL PRECISION CO., LIMITED				WEIGHT	SHEET	REVISION
				1.0g	1/1	A0