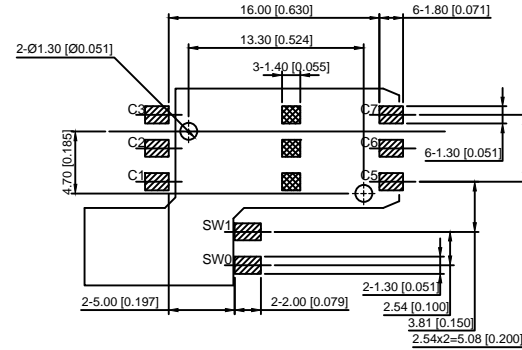


Detail B  
Scale 5:1



Section A-A

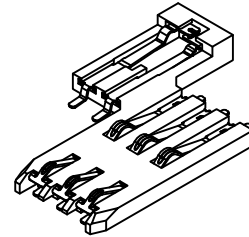
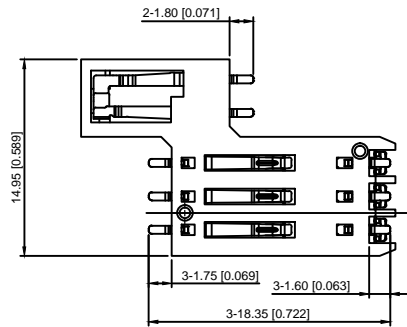
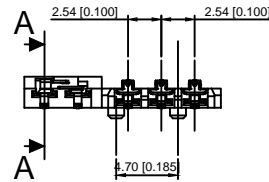
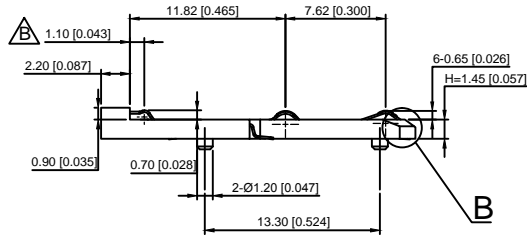
XKB Connectivity



BOARD PAD NO WIRING AREA

Recommended PCB Layout  
General Tolerance : ±0.10mm

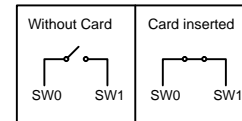
XKB Connectivity



XKB Connectivity

NOTE

- 材料 Material:
  - 1-1 胶壳 Housing: High Temperature Thermoplastic, LCP, Color:Black, UL94V-0
  - 1-2 终端和开关 Terminal and Switch: Phosphor Bronze, T=0.15mm
- 电镀 Plating:
  - 接触电阻 Contact Area: Gold 1u"
  - 焊料区 Solder Area: Gold Flash.
  - 底镀 Underplating: Ni overall 80u"min.
- 规格 Specification:
  - 3-1 触点电流额定值 Contact Current Rating: 0.5A
  - 3-2 介电耐受电压 Dielectric Withstanding Voltage: AC500V r.m.s.
  - 3-3 绝缘电阻 Insulation Resistance: 1000 MΩ Minimum. at DC 500V.
  - 3-4 接触电阻 Contact Resistance: 100 mΩ Maximum.
  - 3-5 寿命 Mating Cycle: 100,000 Insertions.



					ANGULAR	±5°	DSND		DATE	SCALE: N/A	MODEL TYPE: Smart card CONN		
ΔX					L ≤ 4	±0.2	DWN		DATE	VIEW:	PART NO.:		
ΔX					4 < L ≤ 16	±0.3	CHKD		DATE	UNIT: mm/in	DWG NO.:		
ΔX					16 < L ≤ 63	±0.4	APPD		DATE	SIZE: A4	XKSMC-1200-145		
MARK	DESCRIPTION	DATE	REVISED	APPROVED	L > 63	±0.5	UNSPECIFIED TOLERANCES				WEIGHT	SHEET	REVISION
REVISIONS											XKB INDUSTRIAL PRECISION CO., LIMITED		
www.xk-dg.cn www.helloxkb.com www.helloxkb.cn											1.0g	1/1	A0