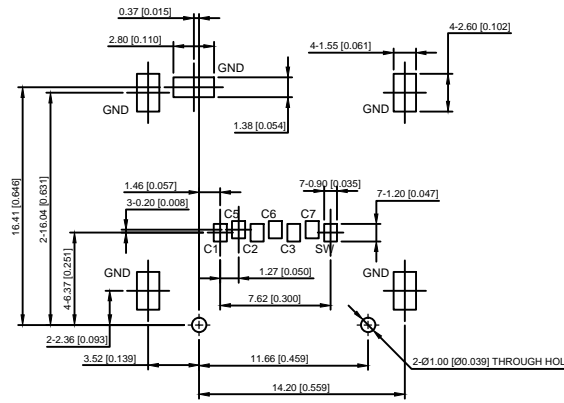
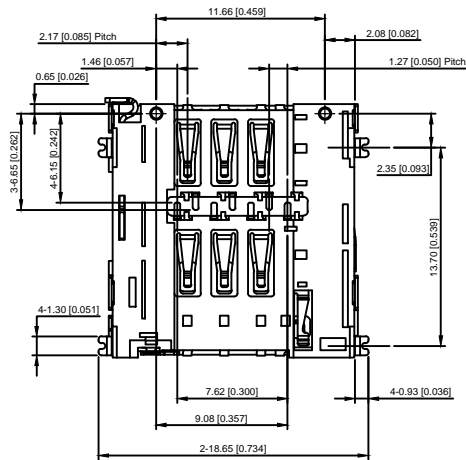
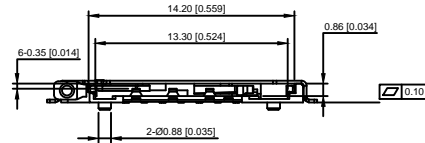
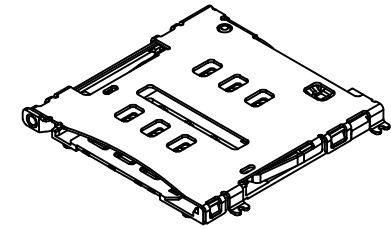


WITHOUT TRAY	TRAY INSERT
Pin No.	Description
C1	Supply Voltage (Vcc)
C2	Reset (RST)
C3	Clock (CLK)
C5	Ground
C6	Programming Voltage (Vcc)
C7	I/O
SW	Detect Switch
GND	Shielding Ground



规格 Specification

材料 Material:

绝缘体 Insulator :High Temperature Thermoplastic. UL-94V-0

触点 Contact:Copper Alloy

保护壳 Shield Shell : Stainless Steel

电镀 Plating:

触点 Contact:Plsted 50u"Ni overall, Contact Area 1u"Au

保护壳 Shield Shell : Plsted 30u" min. Solderability Ni overall

电气 Electrical:

额定电流 Current Rating :0.5A

额定电压 Voltage Rating :30V AC/DC

环境温度 Ambient Temperature Range:-20℃~+85℃

保存温度范围 Storage Temperature Range:-50℃~+100℃

环境湿度范围 Ambient Humidity Range :95% R.H. Max.

接触电阻 Contact Resistance : 100mΩ Max.

绝缘电阻 Insulation Resistance:1000MΩ Min./500V DC

插拔次数 Mating Cycles : 3000Min Insertions

MARK	DESCRIPTION	DATE	REVISED	APPROVED	UNSPECIFIED TOLERANCES	DSND	DATE	SCALE: N/A	MODEL TYPE: SIM CARD CONN		
ΔX					ANGLAR ±5°	DWN	DATE	VIEW:	PART NO.:		
ΔX					L ≤ 4 ±0.2	CHKD	DATE	UNIT: mm/in	DWG NO.:		
ΔX					4 < L ≤ 16 ±0.3	APPD	DATE	SIZE: A4	XXSIM-1130-1		
ΔX					16 < L ≤ 63 ±0.4				WEIGHT	SHEET	REVISION
ΔX					L > 63 ±0.5				1.0g	1/1	A0