

DP6B20KC

DP6B20KC -20V/-0.6A P Channel Small Signal MOSFET

General description

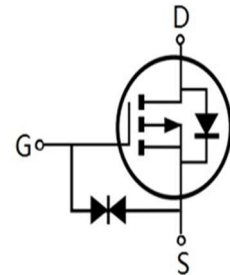
-20V/-0.6A P Channel Small Signal MOSFET

Features:

- Low RDS(on) @VGS=-4.5V
- -3.3V Logic Level Control
- P Channel SOT-883 Package
- ESD Protection
- Pb-Free, RoHS Compliant

Applications

- High-side Load Switch• Switching Circuits
- High Speed line Driver
- Relay Driver



SOT-883

V _{(BR)DSS}	R _{DS(ON)} Typ	I _D Max
-20V	510mΩ @ 4.5V	-0.6A
	570mΩ @ 3.3V	

Absolute Maximum Ratings (T_A=25°C unless otherwise noted)

Symbol	Parameter	Rating	Unit	
Common Ratings (T_A=25°C Unless Otherwise Noted)				
V _{GS}	Gate-Source Voltage	±8	V	
V _{(BR)DSS}	Drain-Source Breakdown Voltage	-20	V	
T _J	Maximum Junction Temperature	150	°C	
T _{STG}	Storage Temperature Range	-50 to 150	°C	
Mounted on Large Heat Sink				
I _{DM}	Pulse Drain Current Tested①	T _A =25°C	-2.4	A
I _D	Continuous Drain Current	T _A =25°C	-0.6	A
		T _A =70°C	-0.48	
P _D	Maximum Power Dissipation	T _A =25°C	0.3	W
		T _A =70°C	0.24	
R _{JA}	Thermal Resistance Junction-Ambient	400	°C/W	

DP6B20KC

Symbol	Parameter	Condition	Min	Typ	Max	Unit
Static Electrical Characteristics @ T_J = 25°C (unless otherwise stated)						
V _{(BR)DSS}	Drain-Source Breakdown Voltage	V _{GS} =0V I _D =-250μA	-20	--	--	V
I _{DSS}	Zero Gate Voltage Drain Current(T _A =25°C)	V _{DS} =-20V, V _{GS} =0V	--	--	-1	μA
	Zero Gate Voltage Drain Current(T _A =125°C)	V _{DS} =-16V, V _{GS} =0V	--	--	-100	uA
I _{GSS}	Gate-Body Leakage Current	V _{GS} =±8V, V _{DS} =0V	--	--	±10	uA
V _{GS(TH)}	Gate Threshold Voltage	V _{DS} =V _{GS} , I _D =-250μA	-0.35	-0.6	-1.0	V
R _{DS(ON)}	Drain-Source On-State Resistance ^②	V _{GS} =-4.5V, I _D =-0.5A	--	510	650	mΩ
R _{DS(ON)}	Drain-Source On-State Resistance ^②	V _{GS} =-3.3V, I _D =-0.3A	--	570	700	mΩ
R _{DS(ON)}	Drain-Source On-State Resistance ^②	V _{GS} =-2.5V, I _D =-0.1A	--	600	800	mΩ
Dynamic Electrical Characteristics @ T_J = 25°C (unless otherwise stated)						
C _{iss}	Input Capacitance	V _{DS} =-10V, V _{GS} =0V, f=1MHz	--	39	--	pF
C _{oss}	Output Capacitance		--	6.4	--	pF
C _{rss}	Reverse Transfer Capacitance		--	4.2	--	pF
Q _g	Total Gate Charge	V _{DS} =-10V I _D =-0.5A, V _{GS} =-4.5V	--	1.1	--	nC
Q _{gs}	Gate Source Charge		--	0.1	--	nC
Q _{gd}	Gate Drain Charge		--	0.3	--	nC
Switching Characteristics						
t _{d(on)}	Turn on Delay Time	V _{DD} =-10V, I _D =-0.5A, R _G =3.3Ω, V _{GS} =-4.5V	--	16	--	ns
t _r	Turn on Rise Time		--	32	--	ns
t _{d(off)}	Turn Off Delay Time		-	85	--	ns
t _f	Turn Off Fall Time		--	68	--	ns
Source Drain Diode Characteristics						
I _{SD}	Source drain current(Body Diode)	T _A =25°C	--	--	-0.3	A
V _{SD}	Forward on voltage ^②	T _J =25°C, I _{SD} =-0.3A, V _{GS} =0V	--	-0.89	-1.2	V

Notes:

- ① Pulse width limited by maximum allowable junction temperature
- ② Pulse test ; Pulse width≤300μs, duty cycle≤2%

Typical Characteristics

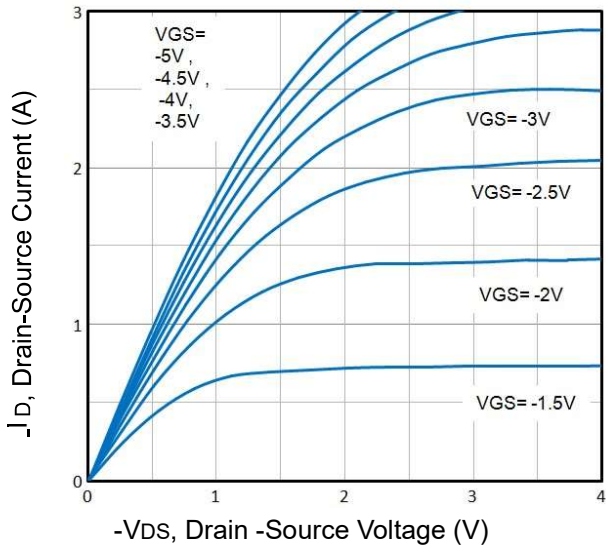


Fig1. Typical Output Characteristics

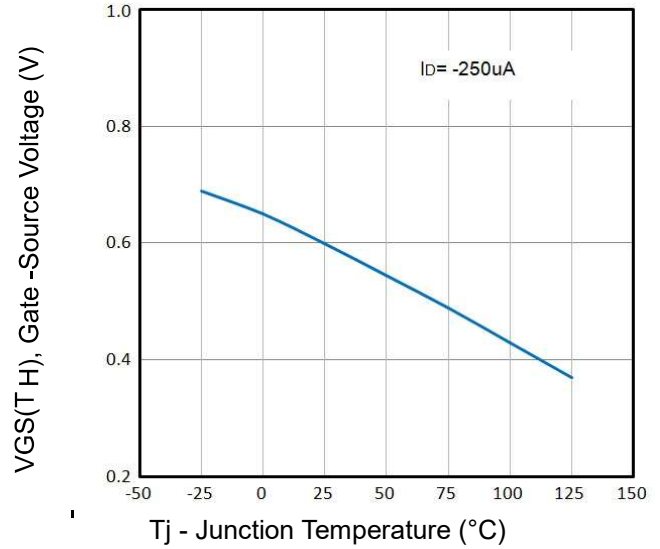


Fig2. Normalized Threshold Voltage Vs. Temperature

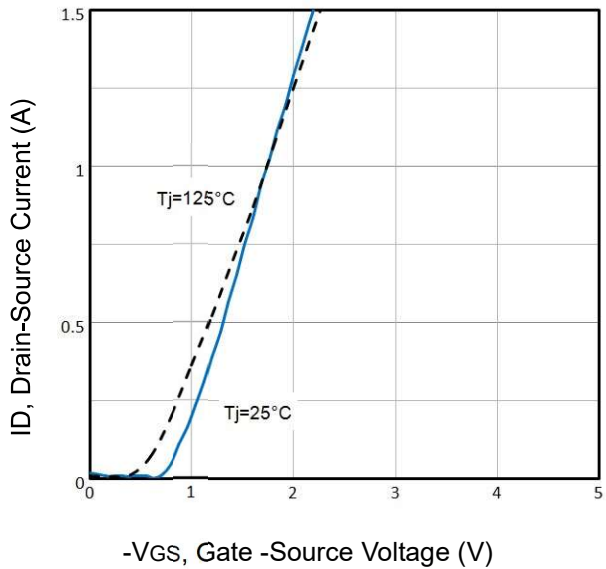


Fig3. Typical Transfer Characteristics

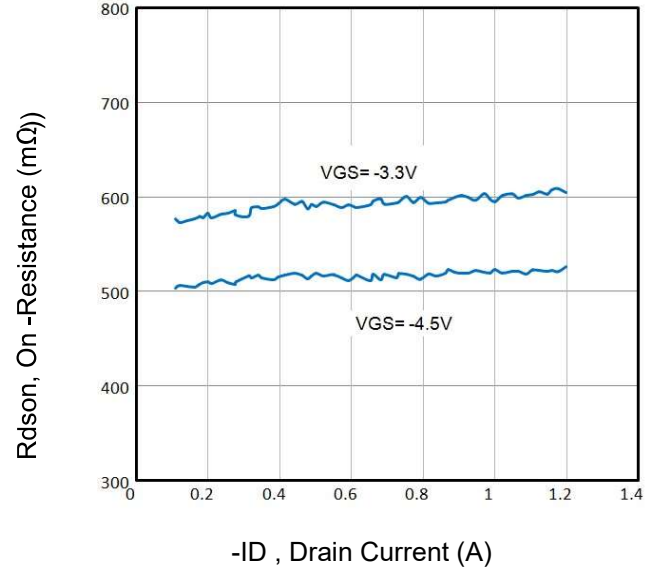


Fig4. On-Resistance vs. Drain Current and Gate

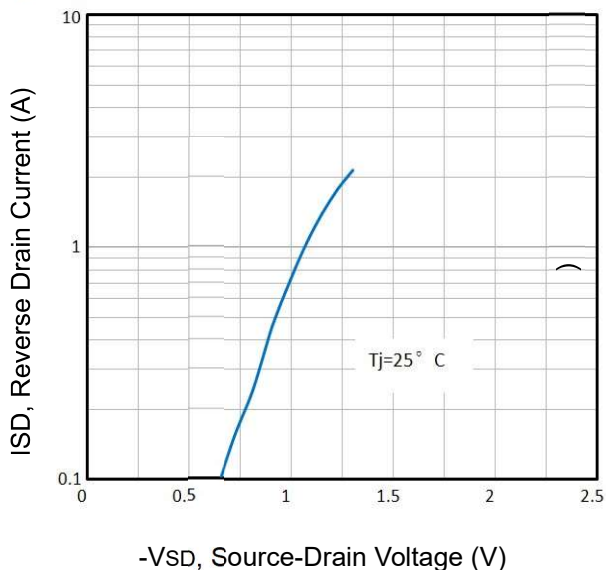


Fig5. Typical Source-Drain Diode Forward Voltage

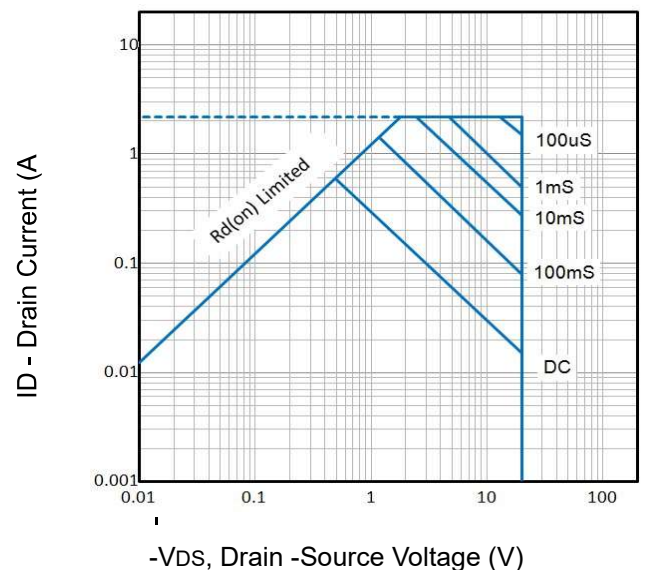


Fig6. Maximum Safe Operating Area

DP6B20KC

Typical Characteristics

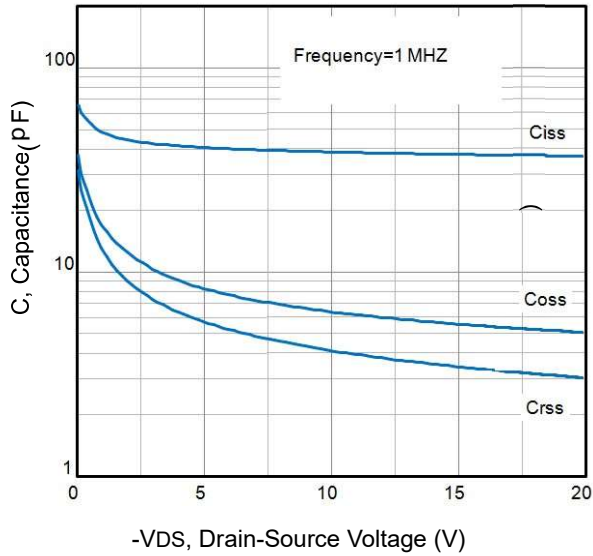


Fig7. Typical Capacitance Vs. Drain-Source Voltage

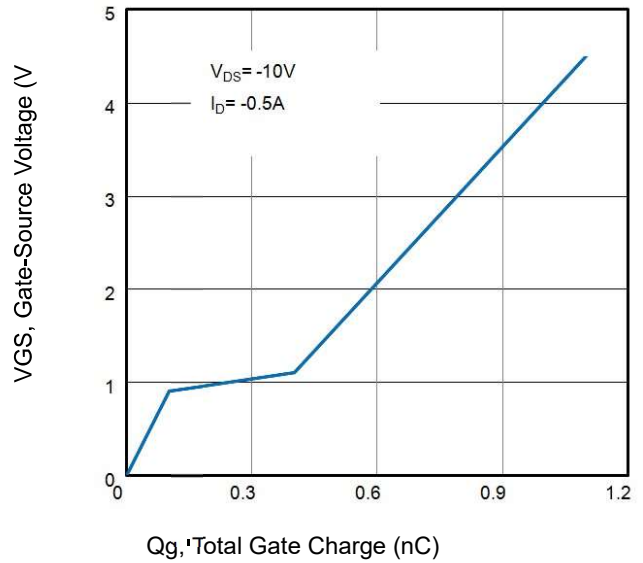


Fig8. Typical Gate Charge Vs. Gate-Source Voltage

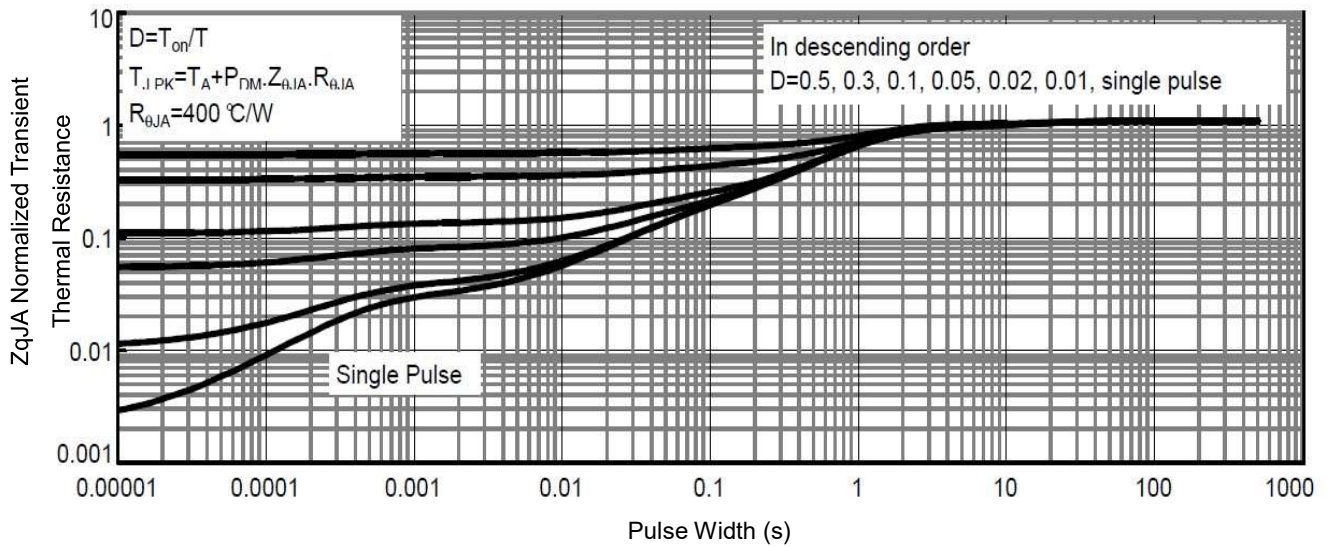


Fig9. Normalized Maximum Transient Thermal Impedance

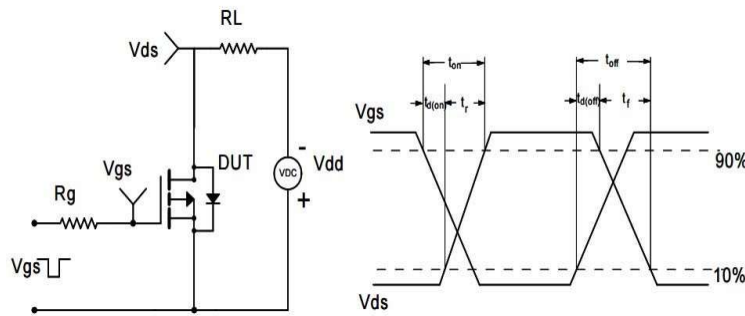
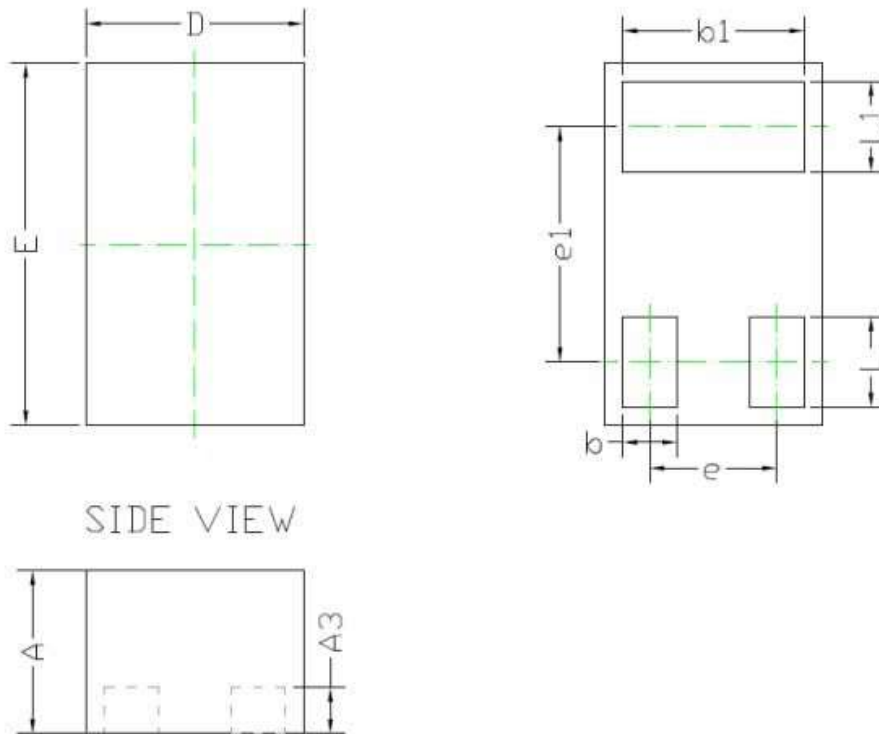


Fig10. Switching Time Test Circuit and waveforms

SOT-883 Package outline



SYMBOL	COMMON		
	DIMENSIONS MILLIMETER		
	MIN	NOM.	MAX
A	0.40	0.45	0.50
A3	0.127 BSC		
D	0.55	0.60	0.65
E	0.95	1.00	1.05
e	0.35 BSC		
e1	0.65 BSC		
b	0.13	0.15	0.18
b1	0.45	0.50	0.55
L	0.20	0.25	0.30
L1	0.20	0.25	0.30

Important Notice and Disclaimer

DOESHARE has used reasonable care in preparing the information included in this document, but DOESHARE does not warrant that such information is error free. DOESHARE assumes no liability whatsoever for any damages incurred by you resulting from errors in or omissions from the information included herein.

DOESHARE no warranty, representation or guarantee regarding the documents, circuits and products specification, DOESHARE reservation rights to make changes for any documents, products, circuits and specifications at any time without notice.

Purchasers are solely responsible for the choice, selection and use of the DOESHARE products and services described herein, and DOESHARE assumes no liability whatsoever relating to the choice, selection or use of the products and services described herein.

No license, express or implied, by implication or otherwise under any intellectual property rights of DOESHARE.

Resale of DOESHARE products with provisions different from the statements and/or technical features set forth in this document shall immediately void any warranty granted by DOESHARE for the DOESHARE product or service described herein and shall not create or extend in any manner whatsoever, any liability of DOESHARE.