

RK16xx Series 16A TRIACs

DESCRIPTION :

High current density due to double mesa technology, SIPOS and Glass Passivation.

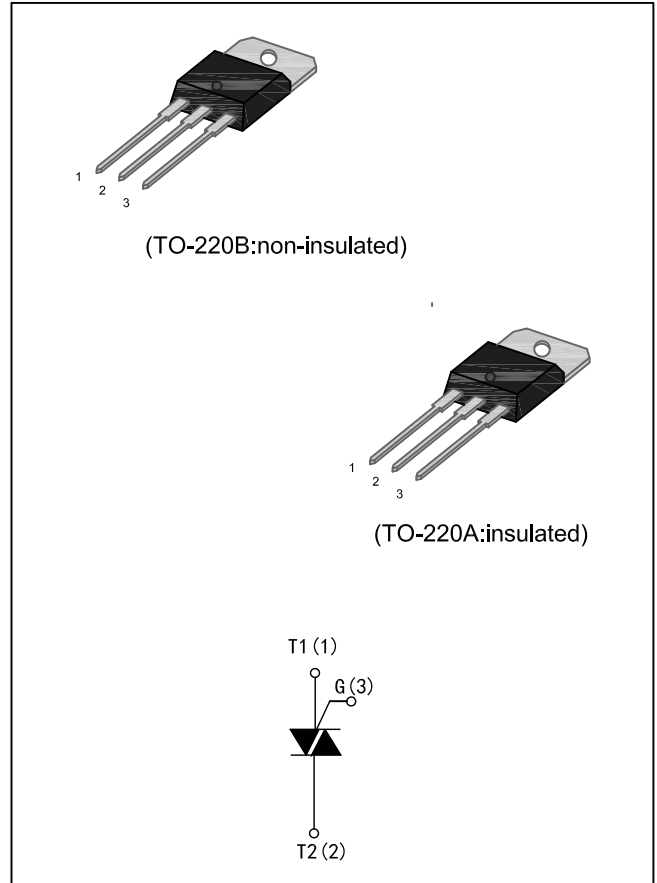
RK16xxA/B series triacs is suitable for general purpose AC switching, They can be used as an ON/OFF function in applications such as static relays, heating regulation, induction motor starting circuits...or for phase control operation, light dimmers, motor speed controllers.

RK16xxA/B-SW -CW -BW are 3 quadrants triacs, They are specially recommended for use on inductive loads.

RK16xxA are isolated in internal, they provide a 2500V RMS isolation voltage from all three terminals to external heat sink.

MAIN FEATURES

Symbol	Value	Unit
$I_{T(RMS)}$	16	A
V_{DRM}/V_{RRM}	600/800/1200	V
V_{TM}	1.55	V



ABSOLUTE MAXIMUM RATINGS

Parameter	Symbol	Value	Unit
Storage junction temperature range	Tstg	-40 to +150	°C
Operating junction temperature range	Tj	-40 to +125	°C
Repetitive Peak Off-state Voltage	Tj=25°C	VDRM	600/800/1200
Repetitive Peak Reverse Voltage	Tj=25°C	VRRM	600/800/1200
Non repetitive Surge Peak Off-state Voltage	tp=10ms, Tj=25°C	VDSM	VDRM+100
Non repetitive Peak Reverse Voltage		VRSM	VRRM+100
RMS on-state current (full sine wave)	RK16xxB Tc=100°C	IT(RMS)	16
	RK16xxA Tc=86°C		
Non repetitive surge peak on-state current (full cycle, Tj=25°C)	f = 60 Hz t=16.7ms	ITSM	168
	f = 50 Hz t=20ms		
I²t Value for fusing	tp=10ms	I²t	144
Critical rate of rise of on-state current (IG=2×IGT, tr≤100 ns, f=120Hz, Tj=125°C)	di / dt	50	A/μs
Peak gate current (tp=20us, Tj=125°C)	IGM	4	A
Peak Gate Power Dissipation (tp=20us, Tj=125°C)	PGM	10	W
Average gate power dissipation (Tj=125°C)	PG(AV)	1	W

ELECTRICAL CHARACTERISTICS(Tj=25°C unless otherwise specified)

● 3 Quadrants

Symbol	Test Condition	Quadrant		RK16xx				Unit
				TW	SW	CW	BW	
IGT	VD=12V RL=33Ω	I-II-III	MAX.	5	10	35	50	mA
VGT		I-II-III	MAX.	1.3				V
VGD	VD=VDRM RL=3.3KΩ Tj =125°C	I-II-III	MIN.	0.2				V
IL	IG=1.2IGT	I-III	MAX.	15	20	50	70	mA
		II	MAX.	25	35	60	80	mA
IH	IT =500mA		MAX.	10	15	40	60	mA
dV/dt	VD=67%VDRM gate open Tj=125°C		MIN.	20	40	400	1000	V/μs
(dI/dt)c	(dV/dt)c=0.1V/μs Tj=125°C		MIN.	3.5	8.5	---	---	A/ms
	(dV/dt)c=10V/μs Tj=125°C			1.0	3.0	---	---	
	Without snubber Tj=125°C			---	---	8.5	14	

● 4 Quadrants

Symbol	Test Condition	Quadrant		RK16xx		Unit
				C	B	
IGT	VD=12V RL=33Ω	I-II-III IV	MAX.	25 50	50 100	mA
VGT		ALL	MAX.	1.3		V
VGD	VD=VDRM RL=3.3KΩ Tj =125°C	ALL	MIN.	0.2		V
IL	IG=1.2IGT	I-III-IV	MAX.	40	50	mA
		II	MAX.	80	100	mA
IH	IT =500mA		MAX.	25	50	mA
dV/dt	VD=67%VDRM gate open Tj=125°C		MIN.	200	400	V/μs
(dV/dt)c	(dI/dt)c=7A/ms Tj=125°C		MIN.	5	10	V/μs

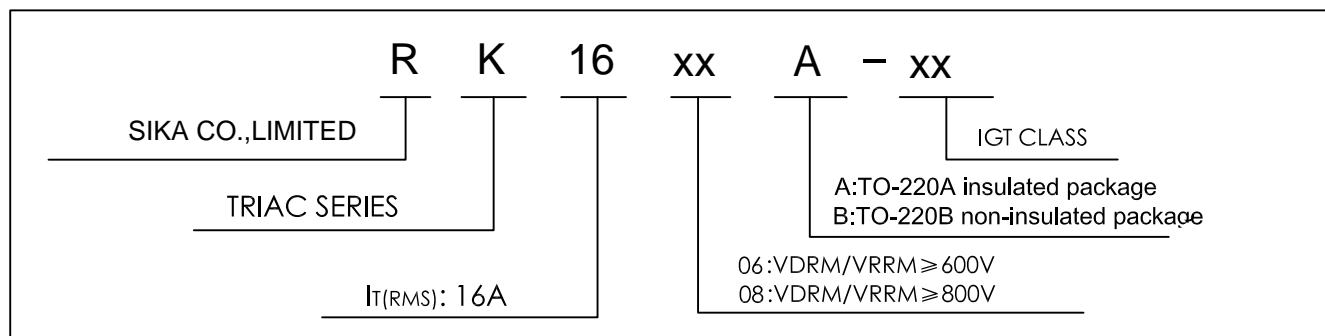
STATIC CHARACTERISTICS

Symbol	Parameter		Value(MAX.)	Unit
V _{TM}	I _{TM} =22.5A, t _p =380μs	T _j =25°C	1.55	V
I _{DRM} I _{RRM}	V _D =V _{DRM} V _R =V _{RRM}	T _j =25°C	5	μA
		T _j =150°C	2	mA

THERMAL RESISTANCES

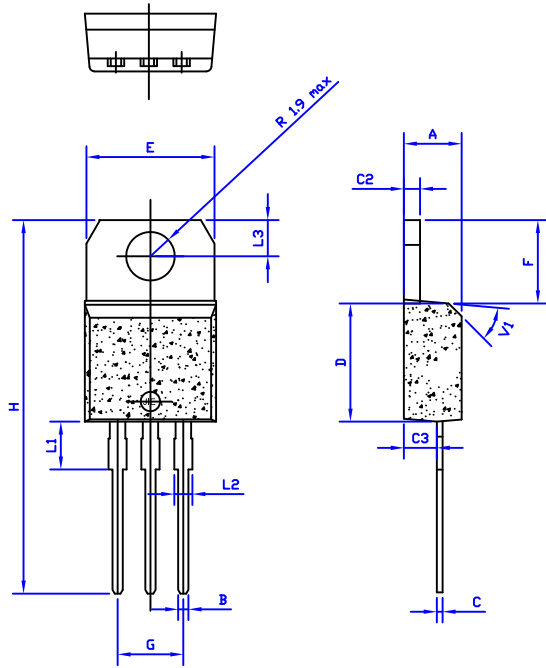
Symbol	Parameter		Value	Unit
R _{th(j-c)}	Junction to Case(AC)	TO-220B	2.1	°C/W
		TO-220A	1.2	
R _{th(j-a)}	Junction to ambient (S=1cm ²)	TO-220A	60	°C/W
		TO-220B	60	

ORDERING INFORMATION



PACKAGE MECHANICAL DATA

TO-220A insulated package and TO-220B non-insulated package



Ref.	Dimensions					
	Millimeters			Inches		
	Min.	Typ.	Max.	Min.	Typ.	Max.
A	4.4		4.6	0.173		1.181
B	0.61		0.88	0.024		0.034
C	0.46		0.70	0.018		0.027
C2	1.23		1.32	0.048		0.051
C3	2.4		2.72	0.094		0.107
D	8.6		9.7	0.338		0.382
E	9.8		10.4	0.386		0.409
F	6.2		6.6	0.244		0.259
G	4.8		5.4	0.189		0.213
H	28.0		29.8	11.0		11.7
L1		3.75			0.147	
L2	1.14		1.7	0.044		0.066
L3	2.65		2.95	0.104		0.116
V1		40°			40°	

FIG.1:Maximum power dissipation versus RMS on-state current(full cycle)

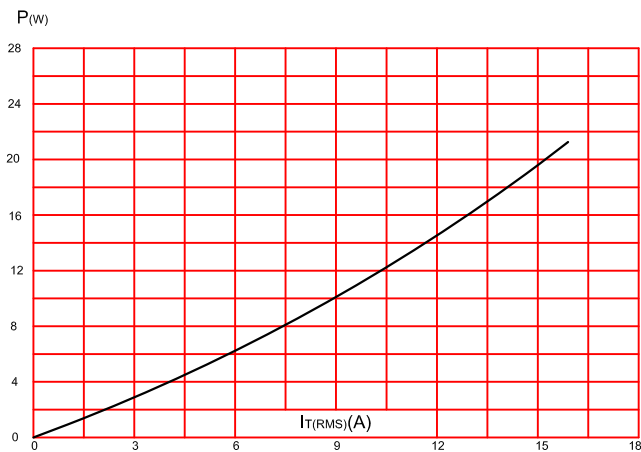


FIG.2:RMS on-state current versus case temperature(full cycle)

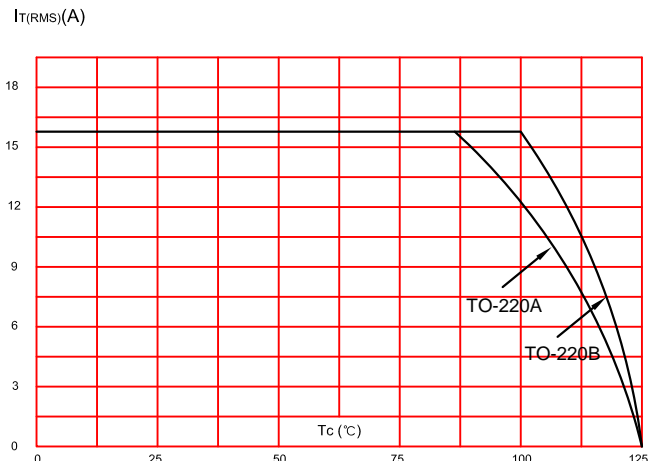


FIG.3:On-state characteristics (maximum values).

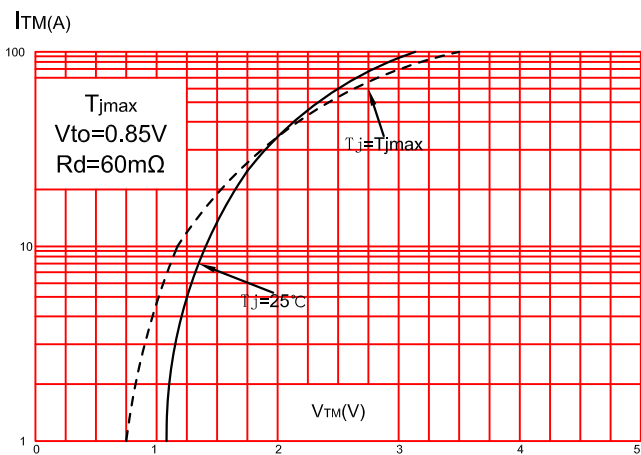


FIG.4:Surge peak on-state current versus number of cycles.

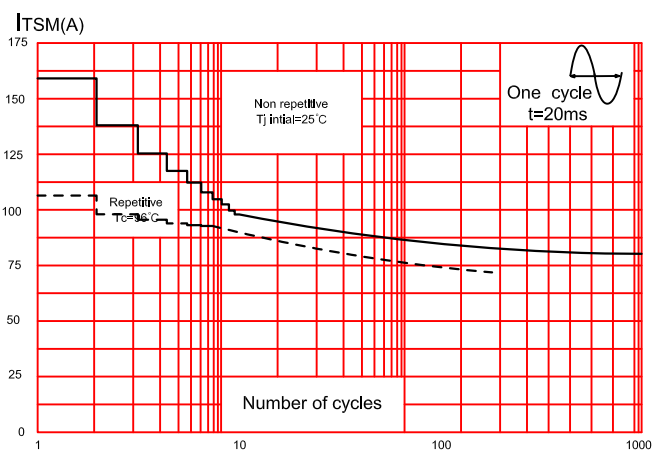


FIG.5:Non-repetitive surge peak on-state current for a sinusoidal pulse with width $t_p < 10ms$, and corresponding value of I^2t .

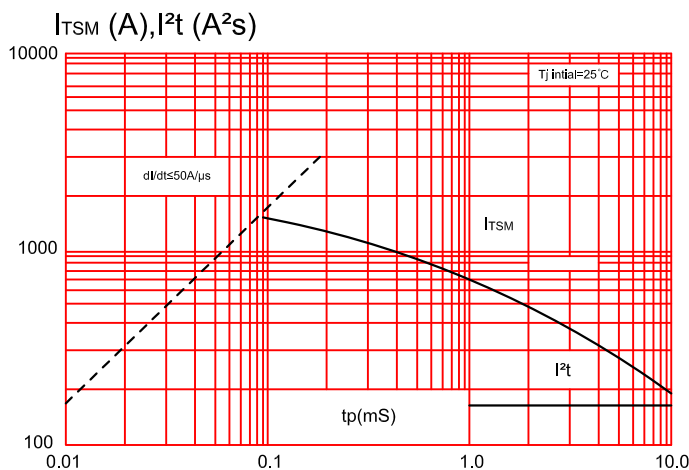


FIG.6:Relative variations of gate trigger current,holding current and latching current versus junction temperature(typical values)

