

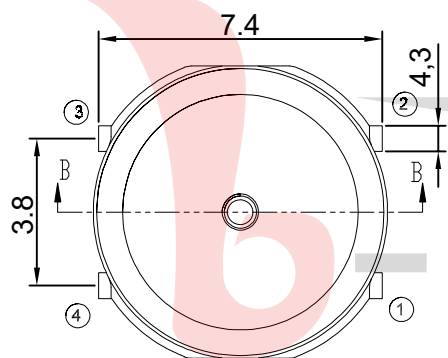
**GT-TC204X-HXXXX-LX**

G-SWITCH

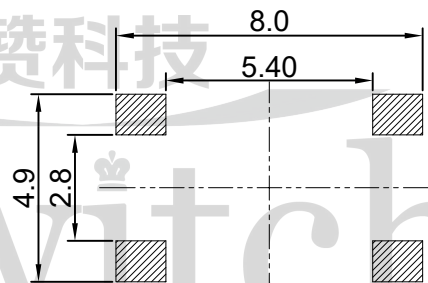
**Operating Force**  
A=160gf  
B=250gf

**Switch Height (mm)**  
H0070=0.70mm

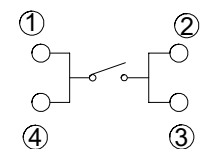
**Switch lifetime (Force)**  
L10=1,000,000 Cycles



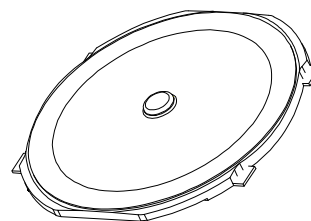
品赞科技



P.C.B LAND DIMENSION



CIRCUIT DIAGRAM



**G-Switch Specification:**

Operating temperature range: -40°C to +85°C  
 Rating: 50mA.12V DC  
 Insulation resistance: 100MΩ min.100V DC  
 Dielectric strength: 250V AC for 1 min  
 Contact resistance: 100m Ω max.  
 Travel: 0.25±0.1mm



**RoHS**  
Compliant  
2002/95/EC



**G-Switch Electronic (HongKong) CO.,Ltd.**

Unless otherwise specified, Tolerance:  
 X. ±0.30  
 X.x ±0.20  
 X.xx ±0.15  
 X.xxx ±0.10  
 Angles ±3°

DESIGN FengFengChen DATE 2019.05.29  
 CHECKED DATE  
 APPROVED DATE  
<http://www.dg-switch.com>  
 TEL:0769-82388879

Molde code:  
**GT-TC204X-HXXXX-LX**  
 REV.: X1 SCALE: 4:1 UNIT: mm  
 SIZE: A4 SHEET: 1/1