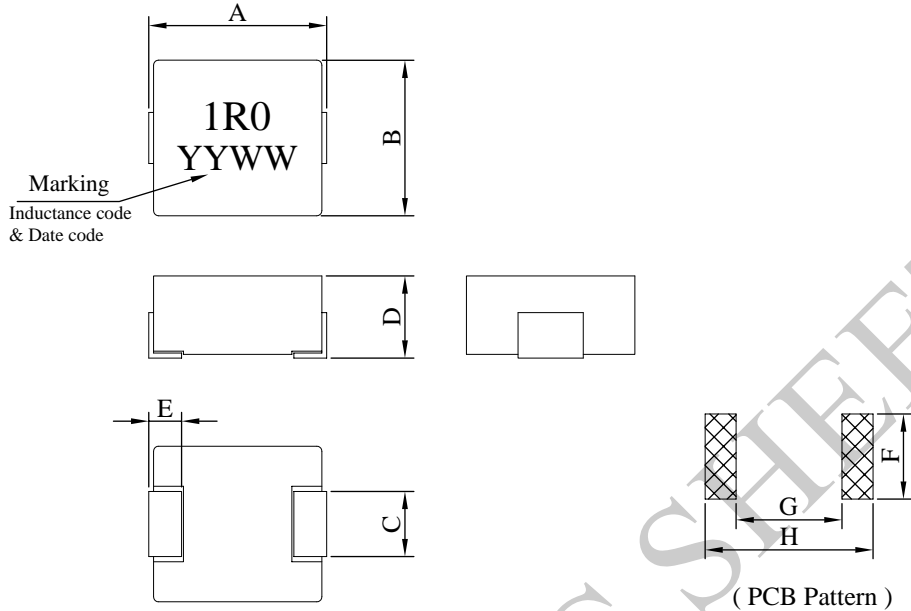


SPECIFICATION FOR APPROVAL

REF :

PROD. NAME	Shielded Smd Power Inductor	ABC'S DWG NO.		GSSM1250□□□□2□U		
		REV.	20200928	PAGE	1	

I . Configuration and dimensions :



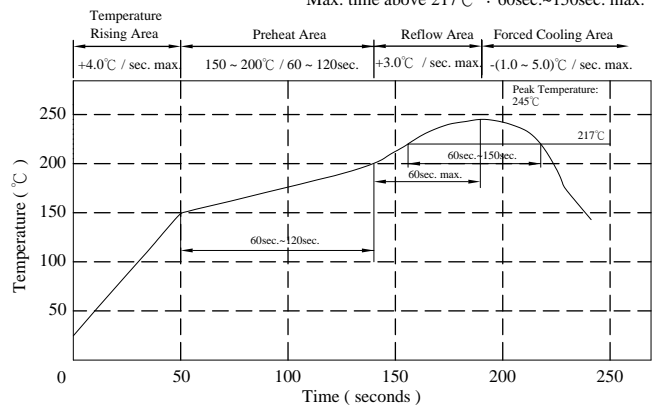
Unit : mm

A	B	C	D	E	F	G	H
13.50 ±0.5	12.50 ±0.3	4.70 ±0.3	4.80 ±0.2	2.30 ±0.3	5.00 ref.	8.00 ref.	14.20 ref.

II . Description :

- a . Powder molding construction
- b . Magnetically shielded
- c . Wire : Polyester wire or equivalent
- d . Products comply with RoHS' requirements
- e . Halogen free

Peak temp. : 245°C max.
 Max. peak temp. - 5°C : 30sec. max.
 Max. time above 217°C : 60sec.~150sec. max.



III . General specification :

- a . Storage temp. : -40°C ----+125°C
- b . Operating temp. : -40°C ----+125°C
(Temp. rise included)
- c . Resistance to solder heat : 260°C .10 sec.

AR-001C

SPECIFICATION FOR APPROVAL

REF :

PROD. NAME	Shielded Smd Power Inductor	ABC'S DWG NO.		GSSM1250□□□□2□U	
		REV.	20200928	PAGE	2

IV . Electrical characteristics :

DWG No.	Inductance (μ H)	Isat (A) typ.	Irms (A) typ.	RDC (m Ω)	
				max.	typ.
GSSM1250R20M2AU	0.20 \pm 20%	110.00	52.00	0.55	0.45
GSSM1250R22M2AU	0.22 \pm 20%	110.00	52.00	0.70	0.50
GSSM1250R33M2AU	0.33 \pm 20%	80.00	42.00	0.90	0.70
GSSM1250R36M2AU	0.36 \pm 20%	75.00	42.00	0.95	0.75
GSSM1250R39M2AU	0.39 \pm 20%	70.00	42.00	0.95	0.78
GSSM1250R47M2AU	0.47 \pm 20%	65.00	38.00	1.10	0.86
GSSM1250R50M2AU	0.50 \pm 20%	60.00	37.00	1.30	0.90
GSSM1250R56M2AU	0.56 \pm 20%	55.00	36.00	1.50	1.00
GSSM1250R68M2AU	0.68 \pm 20%	54.00	34.00	1.70	1.40
GSSM1250R82M2AU	0.82 \pm 20%	52.00	31.00	2.10	1.70
GSSM12501R0M2AU	1.00 \pm 20%	50.00	29.00	2.50	1.85
GSSM12501R2M2AU	1.20 \pm 20%	49.00	28.00	3.00	2.50
GSSM12501R5M2AU	1.50 \pm 20%	48.00	27.00	3.30	2.80
GSSM12501R8M2AU	1.80 \pm 20%	40.00	21.00	4.90	4.00
GSSM12502R2M2AU	2.20 \pm 20%	32.00	20.00	5.50	4.20
GSSM12502R7M2AU	2.70 \pm 20%	32.00	17.00	6.70	4.70
GSSM12503R3M2AU	3.30 \pm 20%	32.00	15.00	9.20	6.80
GSSM12504R7M2AU	4.70 \pm 20%	27.00	12.00	15.00	11.40
GSSM12505R0M2AU	5.00 \pm 20%	24.00	12.00	15.50	12.00
GSSM12505R6M2AU	5.60 \pm 20%	22.00	11.50	16.50	12.30
GSSM12506R0M2AU	6.00 \pm 20%	21.50	11.50	16.50	13.00
GSSM12506R8M2AU	6.80 \pm 20%	21.00	11.00	18.50	14.50

AR-001C

SPECIFICATION FOR APPROVAL

REF :

PROD. NAME	Shielded Smd Power Inductor	ABC'S DWG NO.	GSSM1250□□□□2□U		
		REV.	20200928	PAGE	3

IV . Electrical characteristics :

DWG No.	Inductance (μH)	Isat (A) typ.	Irms (A) typ.	RDC (mΩ)	
				max.	typ.
GSSM12508R2M2AU	8.20 ± 20%	18.00	9.50	22.50	16.80
GSSM1250100M2AU	10.00 ± 20%	16.00	9.00	25.50	21.40
GSSM1250120M2AU	12.00 ± 20%	15.00	8.60	34.00	28.00
GSSM1250150M2AU	15.00 ± 20%	13.00	8.20	38.00	32.00
GSSM1250180M2AU	18.00 ± 20%	11.00	7.50	45.00	40.00
GSSM1250220M2AU	22.00 ± 20%	10.00	6.50	58.00	50.00
GSSM1250270M2AU	27.00 ± 20%	8.50	5.20	76.00	63.00
GSSM1250330M2AU	33.00 ± 20%	8.00	5.00	88.00	73.00
GSSM1250390M2AU	39.00 ± 20%	7.50	4.70	100.00	87.00
GSSM1250470M2AU	47.00 ± 20%	6.50	4.00	120.00	100.00
GSSM1250680M2AU	68.00 ± 20%	5.50	3.50	162.00	135.00
GSSM1250820M2AU	82.00 ± 20%	4.80	3.00	238.00	198.00

- 1). Electrical specifications at 25°C
- 2). Measured frequency of inductance is 100 kHz / 1V
- 3). Isat base on $\Delta L/L0A = 30\%$ typ. (Approximately transient current)
- 4). Irms base on Temp. rise 40°C typ.

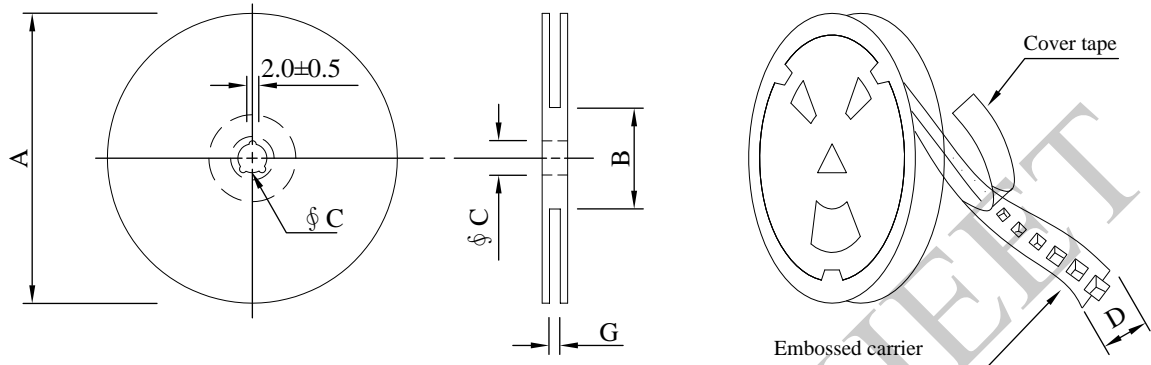
SPECIFICATION FOR APPROVAL

REF :

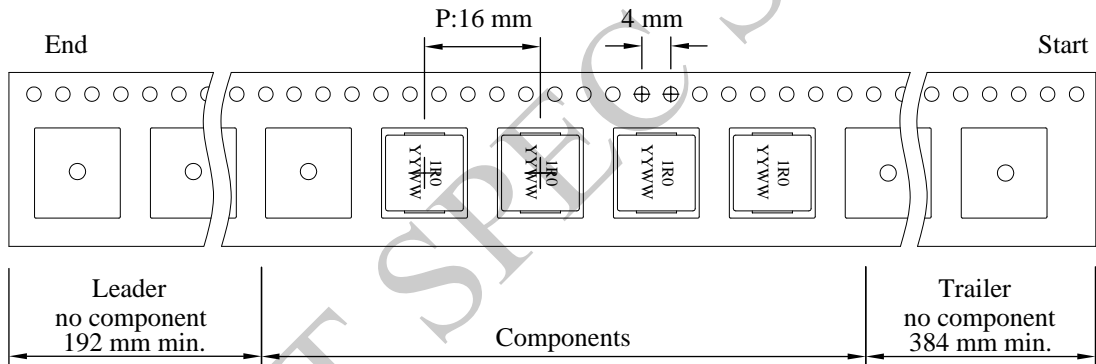
PROD. NAME	Shielded Smd Power Inductor	ABC'S DWG NO.		GSSM1250□□□□2□U	
		REV.	20200928	PAGE	4

V . Packaging information :

(1) Configuration



※Carrier tape width : D



(2) Dimensions

Unit:mm

Style	A	B	C	D	G
13 - 24	330	100 ±0.2	13 ^{+0.5} / _{-0.2}	24	24.4 ⁺² / ₋₀

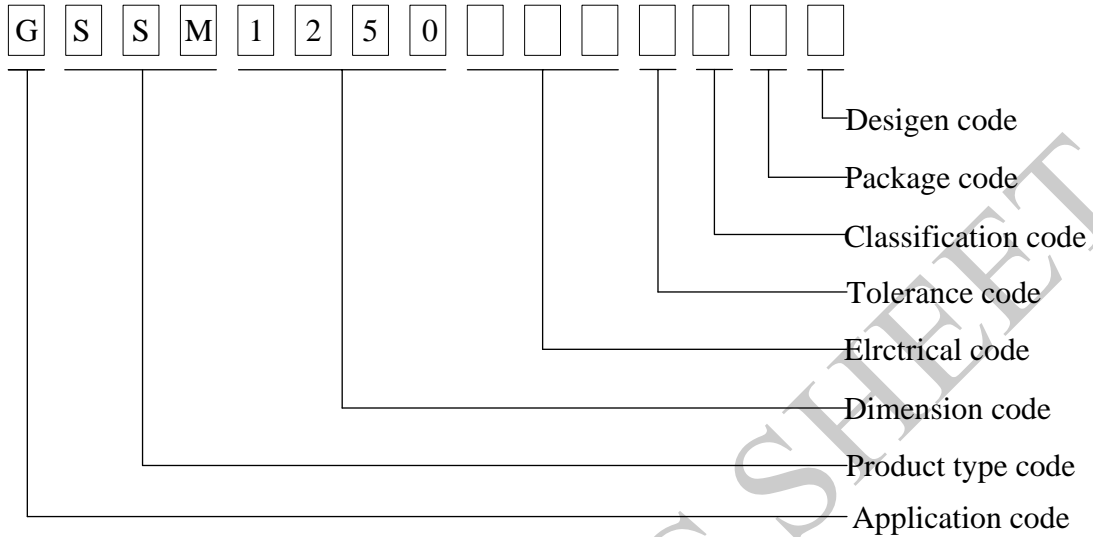
AR-001A

SPECIFICATION FOR APPROVAL

REF :

PROD. NAME	Shielded Smd Power Inductor	ABC'S DWG NO.		GSSM1250□□□□2□U		
		REV.	20200928	PAGE	5	

VI . Drawing number expression :



Package Information

Code	Inner package	Inner package Q'TY	Remark
A	T / R (Reel package)	500 PCS	