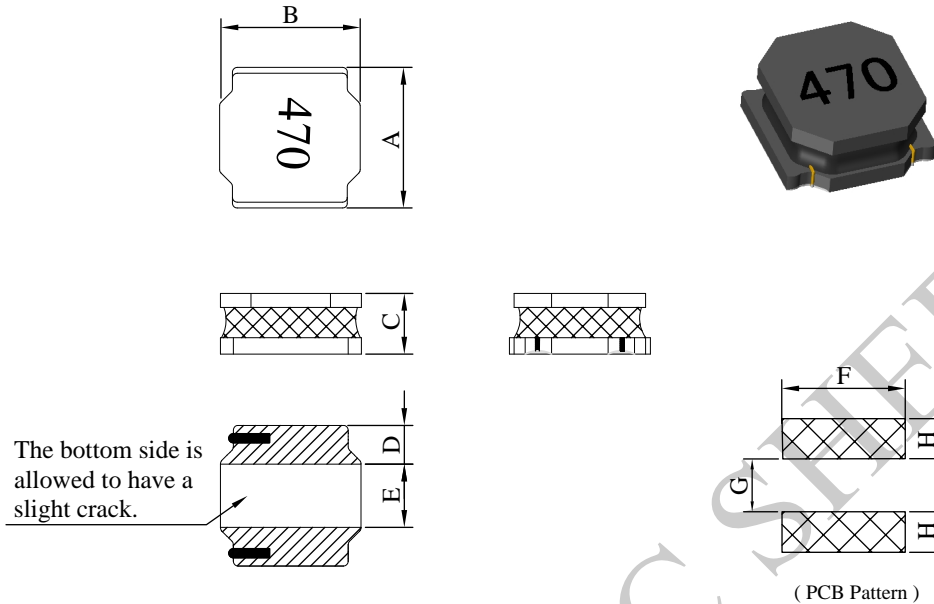


# SPECIFICATION FOR APPROVAL

REF. :

PROD. NAME	Semi-shielded SMD Power Inductor	ABC'S DWG NO.		GSDE4030□□□□2□H	
		REV.	20210805	PAGE	1

## I . Configuration and dimensions :



Unit : mm

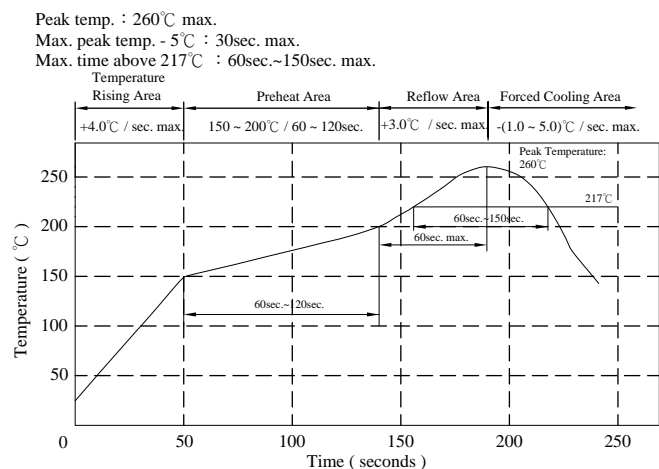
A	B	C	D	E	F	G	H
4.00 ±0.3	4.00 ±0.3	3.00 max.	1.00 ±0.3	2.00 ±0.3	3.70 ref.	1.90 ref.	1.10 ref.

## II . Description :

- a . Ferrite drum core construction.
- b . Enamelled copper wire : H/F class
- c . Product weight : 0.17 g ( ref. )
- d . Moisture sensitivity Level 1
- e . Products comply with RoHS' requirements
- f . Halogen free

## III . General specification :

- a . Storage temp. : -40°C ----+105°C
- b . Operating temp. : -40°C ----+125°C  
(Temp. rise included)
- c . Resistance to solder heat : 260°C.10 sec.



AR-001C

# SPECIFICATION FOR APPROVAL

REF. :

PROD. NAME	Semi-shielded SMD Power Inductor	ABC'S DWG NO.	GSDE4030□□□□2□H		
		REV.	20210805	PAGE	2

IV . Electrical characteristics :

DWG. No.	Inductance ( μH )	Test Freq. ( Hz )	RDC ( mΩ )±30%	Isat ( A ) max.	Irms ( A ) typ
GSDE4030R47N2AH	0.47 ±30%	100k/0.25V	11.00	7.50	4.00
GSDE4030R56N2AH	0.56 ±30%	100k/0.25V	14.00	6.00	4.00
GSDE40301R0N2AH	1.00 ±30%	100k/0.25V	15.00	5.90	3.40
GSDE40301R5N2AH	1.50 ±30%	100k/0.25V	25.00	4.85	3.30
GSDE40301R8N2AH	1.80 ±30%	100k/0.25V	30.00	4.25	3.20
GSDE40302R2M2AH	2.20 ±20%	100k/0.25V	35.00	4.10	2.95
GSDE40303R3M2AH	3.30 ±20%	100k/0.25V	40.00	3.30	2.40
GSDE40303R6M2AH	3.60 ±20%	100k/0.25V	53.00	3.10	2.30
GSDE40303R9M2AH	3.90 ±20%	100k/0.25V	57.00	3.00	2.10
GSDE40304R7M2AH	4.70±20%	100k/0.25V	60.00	2.90	2.00
GSDE40305R6M2AH	5.60 ±20%	100k/0.25V	70.00	2.75	1.95
GSDE40306R8M2AH	6.80 ±20%	100k/0.25V	75.00	2.60	1.70
GSDE40307R5M2AH	7.50 ±20%	100k/0.25V	90.00	2.20	1.65
GSDE40308R2M2AH	8.20 ±20%	100k/0.25V	100.00	2.10	1.60
GSDE4030100M2AH	10.00 ±20%	100k/0.25V	115.00	1.95	1.50
GSDE4030120M2AH	12.00 ±20%	100k/0.25V	140.00	1.70	1.35
GSDE4030150M2AH	15.00 ±20%	100k/0.25V	190.00	1.65	1.15
GSDE4030180M2AH	18.00 ±20%	100k/0.25V	215.00	1.40	1.10
GSDE4030220M2AH	22.00 ±20%	100k/0.25V	225.00	1.30	1.00
GSDE4030330M2AH	33.00 ±20%	100k/0.25V	330.00	1.10	0.84
GSDE4030470M2AH	47.00 ±20%	100k/0.25V	500.00	0.90	0.72
GSDE4030560M2AH	56.00 ±20%	100k/0.25V	560.00	0.85	0.65
GSDE4030680M2AH	68.00 ±20%	100k/0.25V	750.00	0.75	0.55
GSDE4030820M2AH	82.00 ±20%	100k/0.25V	950.00	0.68	0.50
GSDE4030101M2AH	100.00 ±20%	100k/0.25V	1150.00	0.60	0.45
GSDE4030151M2AH	150.00 ±20%	100k/0.25V	2350.00	0.50	0.35
GSDE4030181M2AH	180.00 ±20%	100k/0.25V	2500.00	0.40	0.35
GSDE4030221M2AH	220.00 ±20%	100k/0.25V	3000.00	0.40	0.30
GSDE4030331M2AH	330.00 ±20%	100k/0.25V	4400.00	0.30	0.23
GSDE4030471M2AH	470.00 ±20%	100k/0.25V	5500.00	0.30	0.20

- 1). Electrical specifications at 25°C
- 2). Isat base on  $\Delta L/L0A=30\%$  max. (Approximately transient current )
- 3). Irms base on temp. rise 40°C typ.

AR-001C

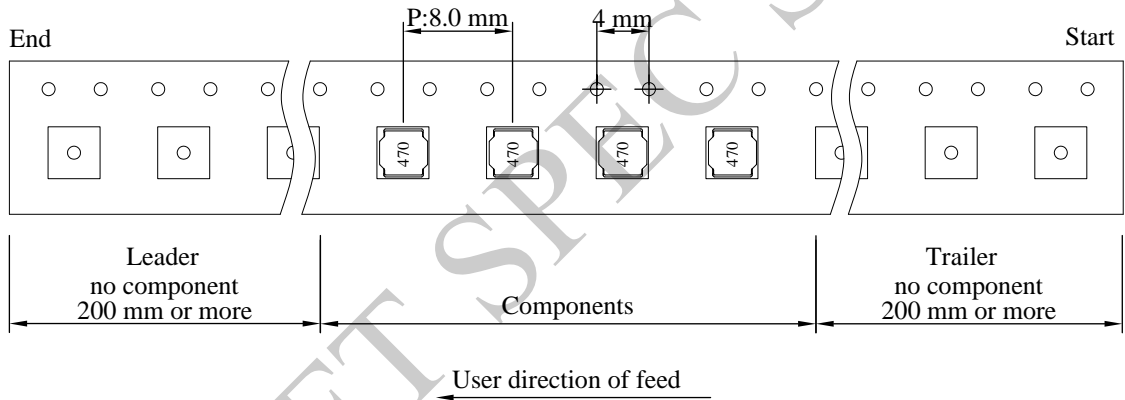
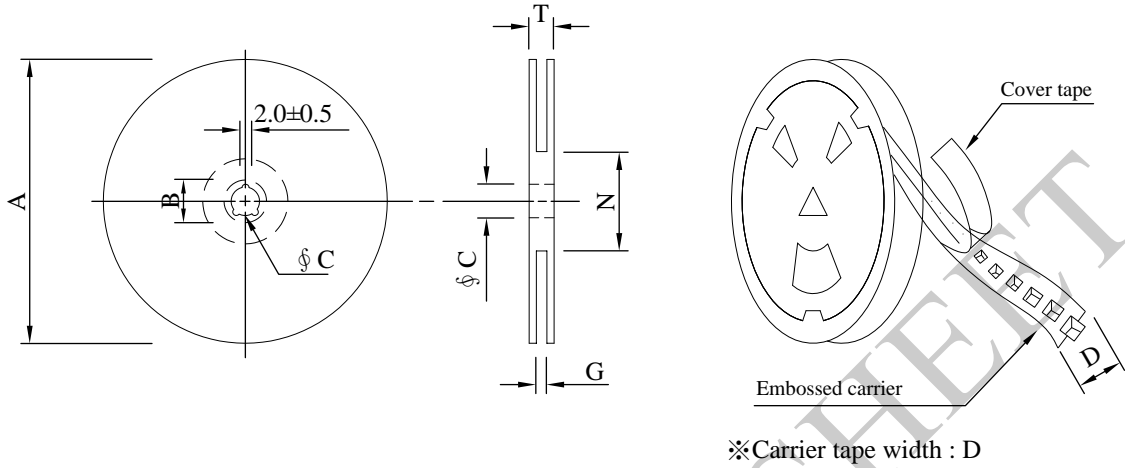
# SPECIFICATION FOR APPROVAL

REF :

PROD. NAME	Semi-shielded SMD Power Inductor	ABC'S DWG NO.	GSDE4030□□□□2□H		
		REV.	20210805	PAGE	3

## VI . Packaging information :

### ( 1 ) Configuration



### ( 2 ) Dimensions

Unit:mm

Style	A	B	C	D	G	N	T
13 - 12	330	21±0.8	13±1.0	12	12.4±1.0	100	16.4±1.0

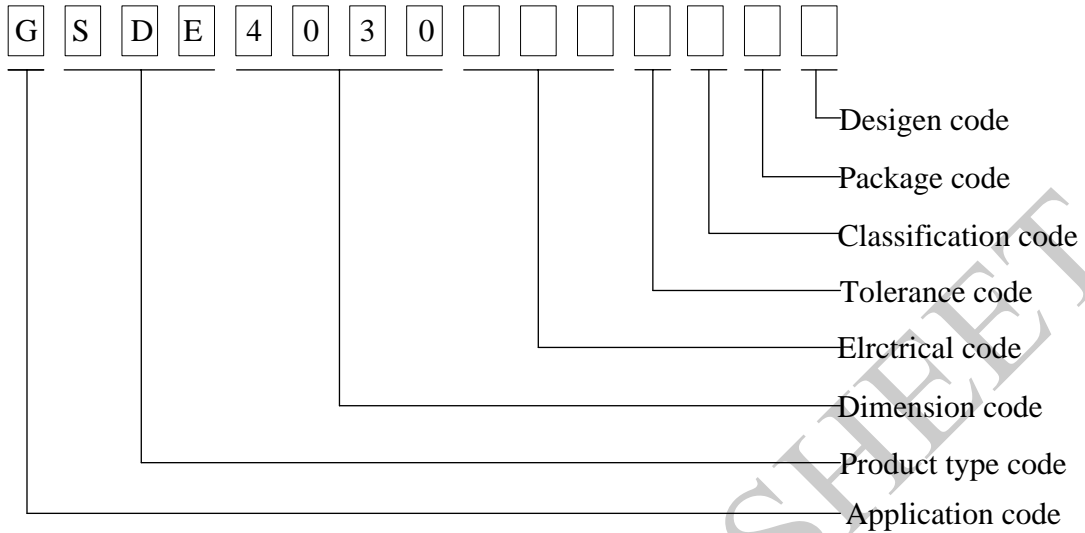
AR-001A

# SPECIFICATION FOR APPROVAL

REF. :

PROD. NAME	Semi-shielded SMD Power Inductor	ABC'S DWG NO.	GSDE4030□□□□2□H		
		REV.	20210805	PAGE	4

VII . Drawing number expression :



Package Information:

Code	Inner package	Inner package Q'TY	Remark
A	T/R (Reel package)	2000 PCS	

AR-001C



千如電子集團

ABC-ATEC ELECTRONICS GROUP