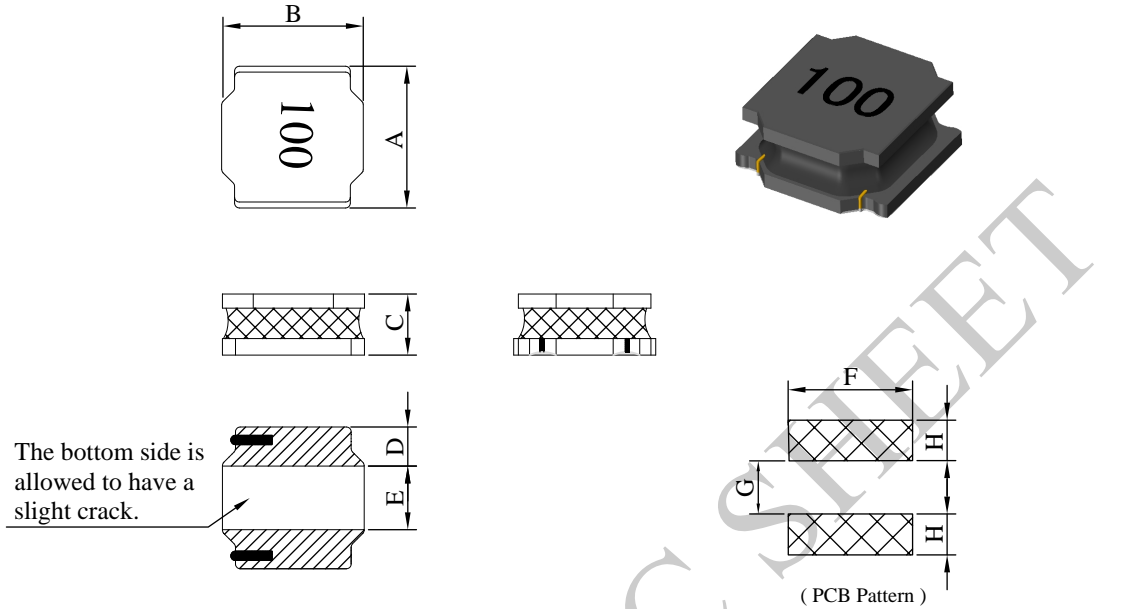


# SPECIFICATION FOR APPROVAL

REF. :

PROD. NAME	Semi-shielded SMD Power Inductor	ABC'S DWG NO.		GSDE4018□□□□2□H	
		REV.	20210824	PAGE	1

I . Configuration and dimensions :



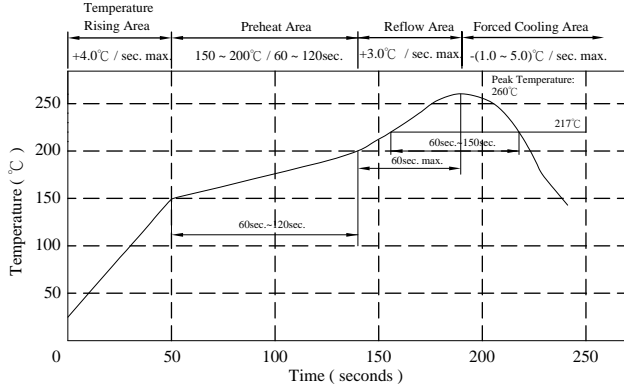
Unit : mm

A	B	C	D	E	F	G	H
4.00 ±0.2	4.00 ±0.2	1.85 max.	1.00 ±0.2	2.00 ±0.3	3.70 ref.	1.90 ref.	1.10 ref.

II . Description :

- a . Ferrite drum core construction.
- b . Enamelled copper wire : H/F class
- c . Product weight : 0.10 g ( ref. )
- d . Moisture sensitivity Level 1
- e . Products comply with RoHS' requirements
- f . Halogen free

Peak temp. : 260°C max.  
 Max. peak temp. -5°C : 30sec. max.  
 Max. time above 217°C : 60sec.~150sec. max.



III . General specification :

- a . Storage temp. : -40°C ----+105°C
- b . Operating temp. : -40°C ----+125°C  
(Temp. rise included)
- c . Resistance to solder heat : 260°C .10 sec.

AR-001C

# SPECIFICATION FOR APPROVAL

REF. :

PROD. NAME	Semi-shielded SMD Power Inductor	ABC'S DWG NO.		GSDE4018□□□□2□H	
		REV.	20210824	PAGE	2

IV . Electrical characteristics :

DWG. No.	Inductance ( $\mu$ H)	Test Freq. ( Hz )	RDC ( m $\Omega$ ) $\pm$ 30%	Isat ( A ) max.	Irms ( A ) typ
GSDE4018R56N2AH	0.56 $\pm$ 30%	100k/0.25V	18.00	5.50	3.50
GSDE4018R68N2AH	0.68 $\pm$ 30%	100k/0.25V	18.00	4.90	3.20
GSDE40181R0N2AH	1.00 $\pm$ 30%	100k/0.25V	23.00	4.50	2.50
GSDE40181R2N2AH	1.20 $\pm$ 30%	100k/0.25V	28.00	4.30	2.40
GSDE40181R5N2AH	1.50 $\pm$ 30%	100k/0.25V	33.00	3.35	2.34
GSDE40181R8N2AH	1.80 $\pm$ 30%	100k/0.25V	44.00	3.00	2.00
GSDE40182R2M2AH	2.20 $\pm$ 20%	100k/0.25V	44.00	2.70	2.00
GSDE40183R3M2AH	3.30 $\pm$ 20%	100k/0.25V	70.00	2.45	1.90
GSDE40184R7M2AH	4.70 $\pm$ 20%	100k/0.25V	90.00	1.70	1.70
GSDE40185R6M2AH	5.60 $\pm$ 20%	100k/0.25V	103.00	1.60	1.50
GSDE40186R8M2AH	6.80 $\pm$ 20%	100k/0.25V	124.00	1.45	1.30
GSDE40188R2M2AH	8.20 $\pm$ 20%	100k/0.25V	180.00	1.40	1.15
GSDE4018100M2AH	10.00 $\pm$ 20%	100k/0.25V	200.00	1.30	1.10
GSDE4018120M2AH	12.00 $\pm$ 20%	100k/0.25V	230.00	1.15	0.95
GSDE4018150M2AH	15.00 $\pm$ 20%	100k/0.25V	268.00	0.94	0.92
GSDE4018180M2AH	18.00 $\pm$ 20%	100k/0.25V	320.00	0.86	0.85
GSDE4018220M2AH	22.00 $\pm$ 20%	100k/0.25V	390.00	0.80	0.80
GSDE4018330M2AH	33.00 $\pm$ 20%	100k/0.25V	560.00	0.65	0.60
GSDE4018470M2AH	47.00 $\pm$ 20%	100k/0.25V	850.00	0.57	0.50

- 1). Electrical specifications at 25°C
- 2). Isat base on  $\Delta$ L/L0A=30% max. (Approximately transient current )
- 3). Irms base on temp. rise 40°C typ.

AR-001C

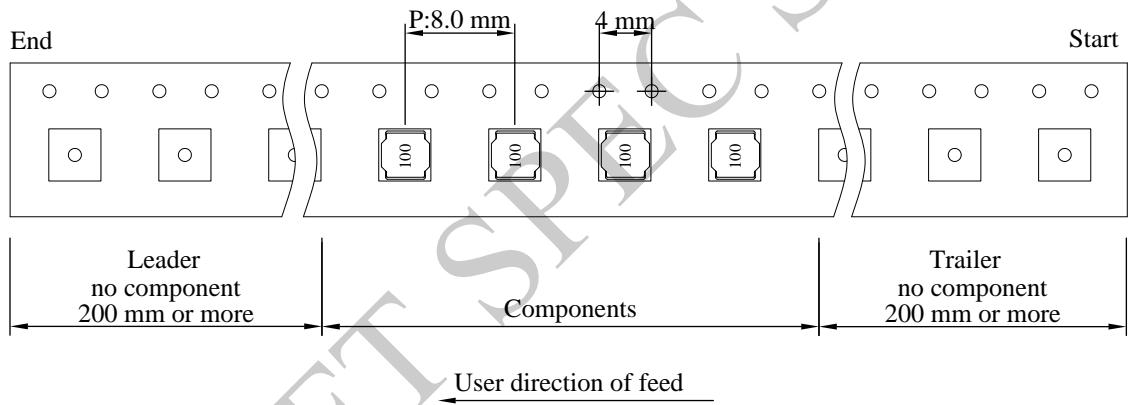
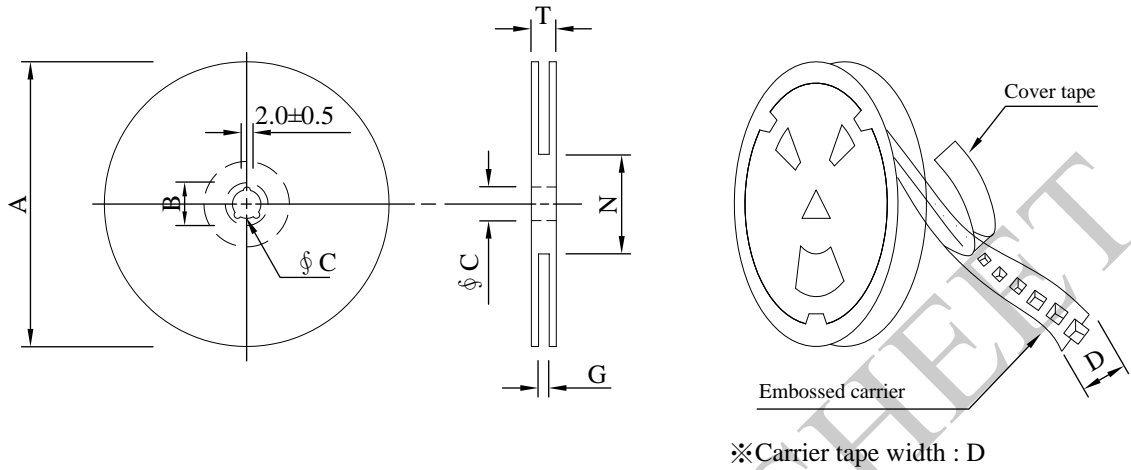
# SPECIFICATION FOR APPROVAL

REF :

PROD. NAME	Semi-shielded SMD Power Inductor	ABC'S DWG NO.		GSDE4018□□□□2□H	
		REV.	20210824	PAGE	3

## VI . Packaging information :

### ( 1 ) Configuration



### ( 2 ) Dimensions

Unit:mm

Style	A	B	C	D	G	N	T
13 - 12	330	21±0.8	13±1.0	12	12.4±1.0	100	16.4±1.0

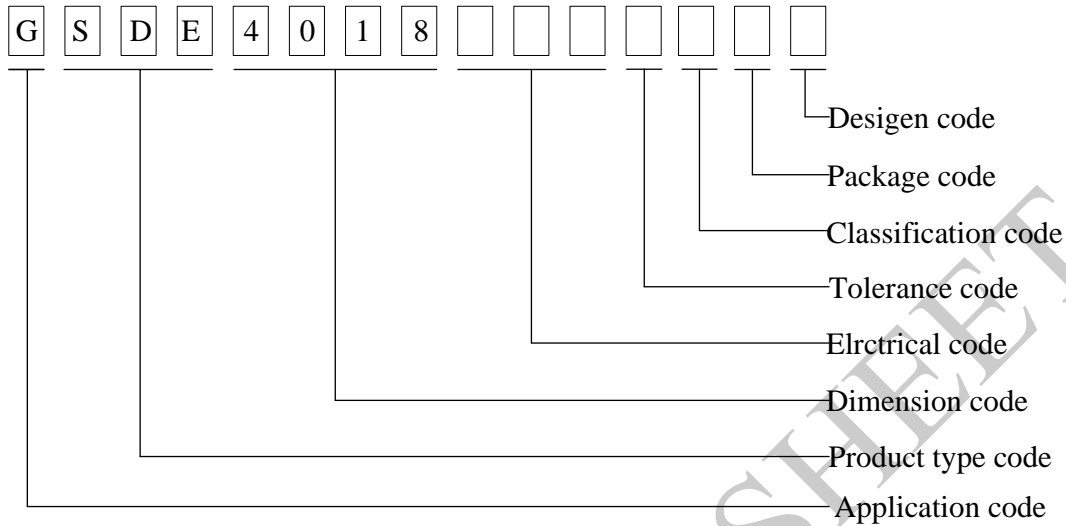
AR-001A

# SPECIFICATION FOR APPROVAL

REF. :

PROD. NAME	Semi-shielded SMD Power Inductor	ABC'S DWG NO.	GSDE4018□□□□2□H		
		REV.	20210824	PAGE	4

VII . Drawing number expression :



Package Information:

Code	Inner package	Inner package Q'TY	Remark
A	T/R (Reel package)	3000 PCS	

AR-001C