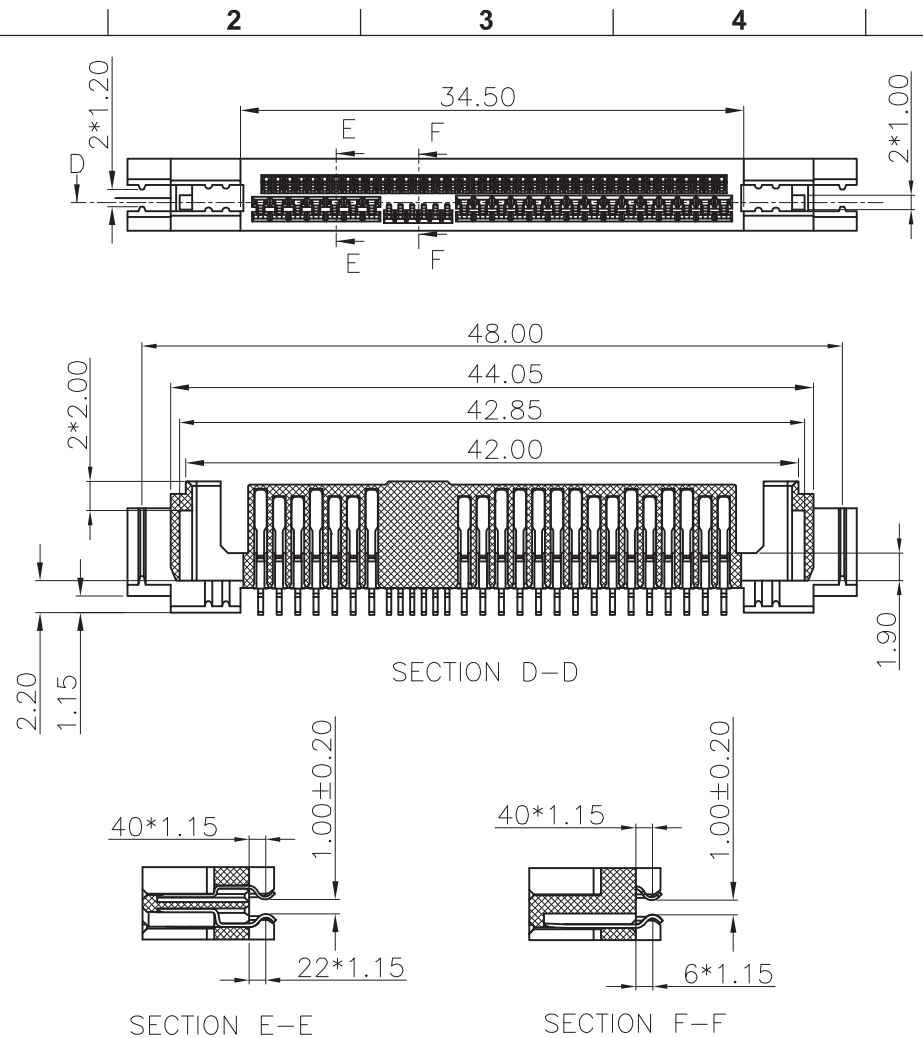


REV.	ECN NO./DESCRIPTION	DATE
1	N150034	01/09'15

GENERAL TOLERANCES UNLESS SPECIFIED		PART NO.	<b>LOTES</b>		
X± 0.35	X°± 3°	SEE TABLE			
XX± 0.25	X°± 2°	APPROVED BY	TITLE SFF-8639 Plug Conn.		
.XXX± 0.15	.XX°± 1°	Jack_Fan			
CUSTOMER DRAWING		CHECKED BY	DWG NO. GAP-ASAT0015		
SIZE		Kelven_Yao			
A4	UNITS	DRAWN BY	SHEET		
mm[inch]		Xiao_Feng			
			REV		
			2:1		



REV.	ECN NO./DESCRIPTION	DATE
1	N150034	01/09'15

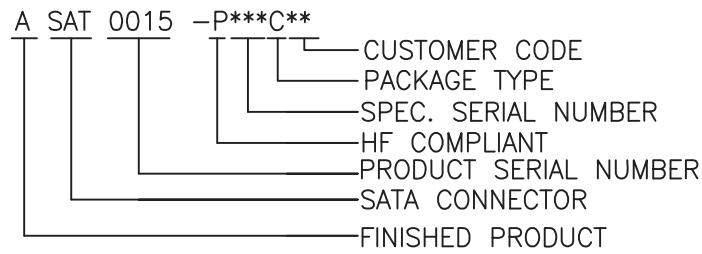
NOTES:

- 1.MATERIAL:
  - 1.1 HOUSING: LCP+40%GF,UL94V-0;COLOR:BLACK
  - 1.2 CONTACT: BRASS C2680.
- 2.FINISHED:
 

CONTACTS: 50u"Min Ni UNDER PLATED OVER ALL.  
 Au15u"Min PLATED ON FUNCTIONAL CONTACT AREA .  
 MATTE TIN 100u"Min PLATED ON SOLDER AREA.
- 3.MECHANICAL PERFORMANCE:
  - 3.1.INSERTION FORCE: 45N Max.
  - 3.2.REMOVAL FORCE: 10N Min.
  - 3.3.DURABILITY: 50 CYCLES.
- 4.ELECTRICAL PERFORMANCE
  - 4.1.INSULATION RESISTANCE;1000MΩ Min.
  - 4.2.DIELECTRIC WITHSTANDING VOLTAGE:AC 500V FOR 1 MINUTE.
  - 4.3.LOW LEVEL CONTACT RESISTANCE:  
 INITIAL 30 mΩ Max; FINAL 45 mΩ Max.
- 5.IR REFLOW::
 

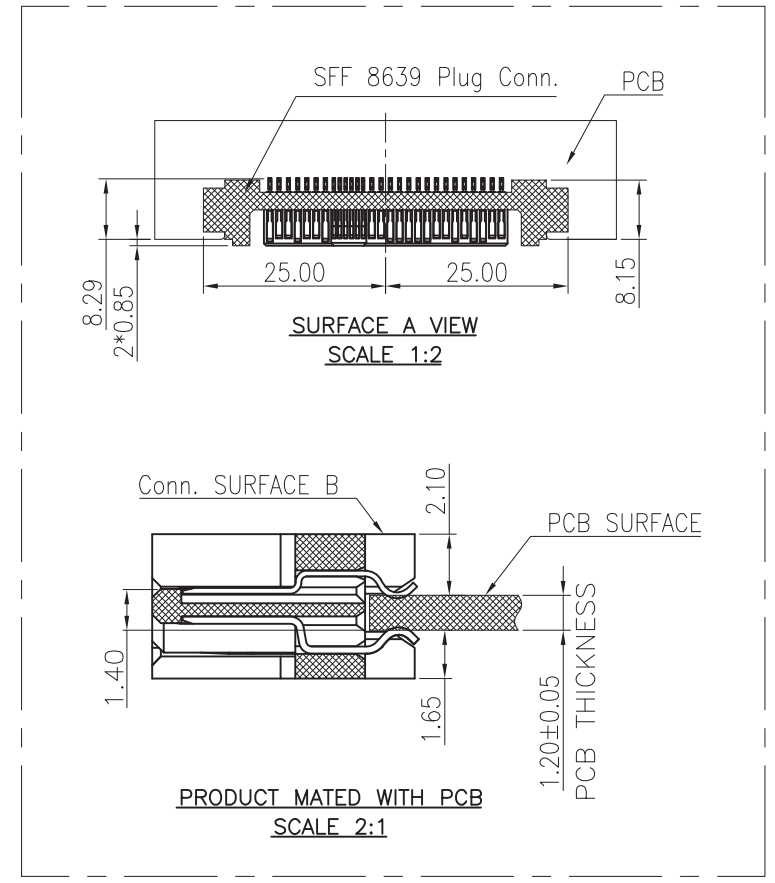
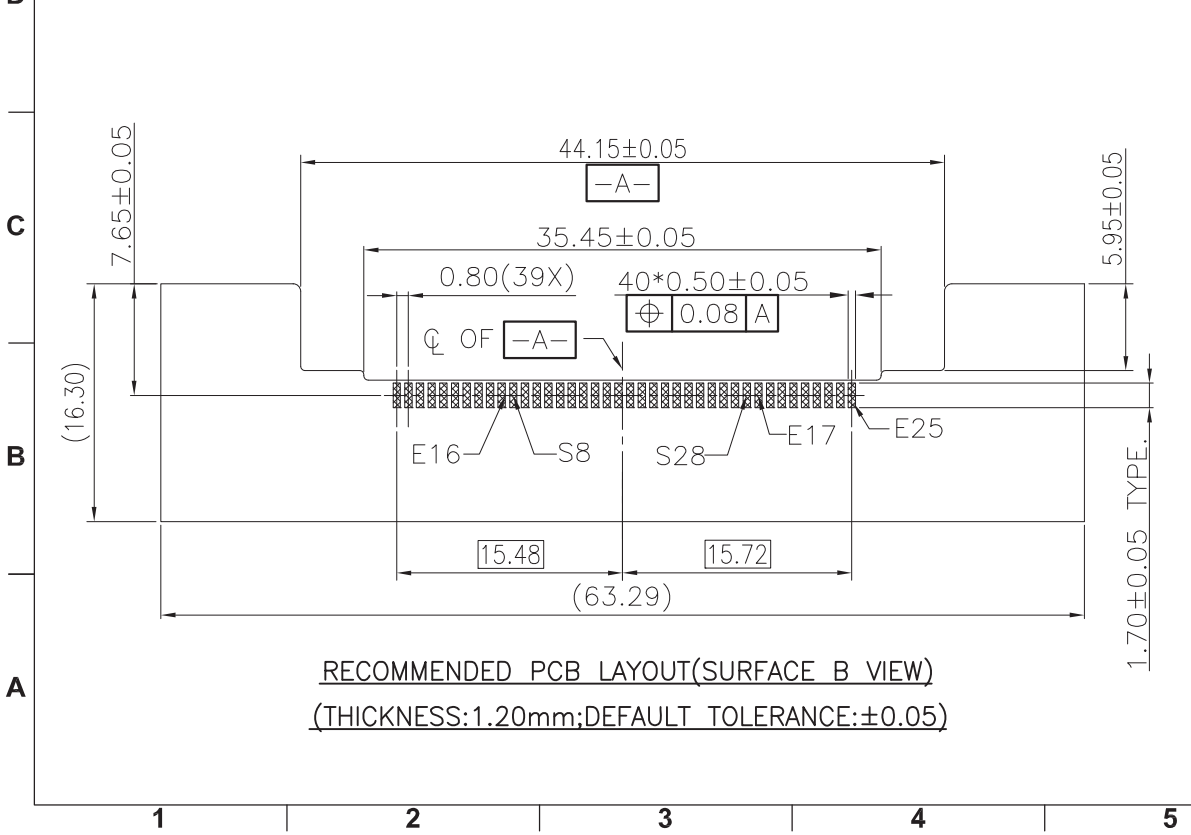
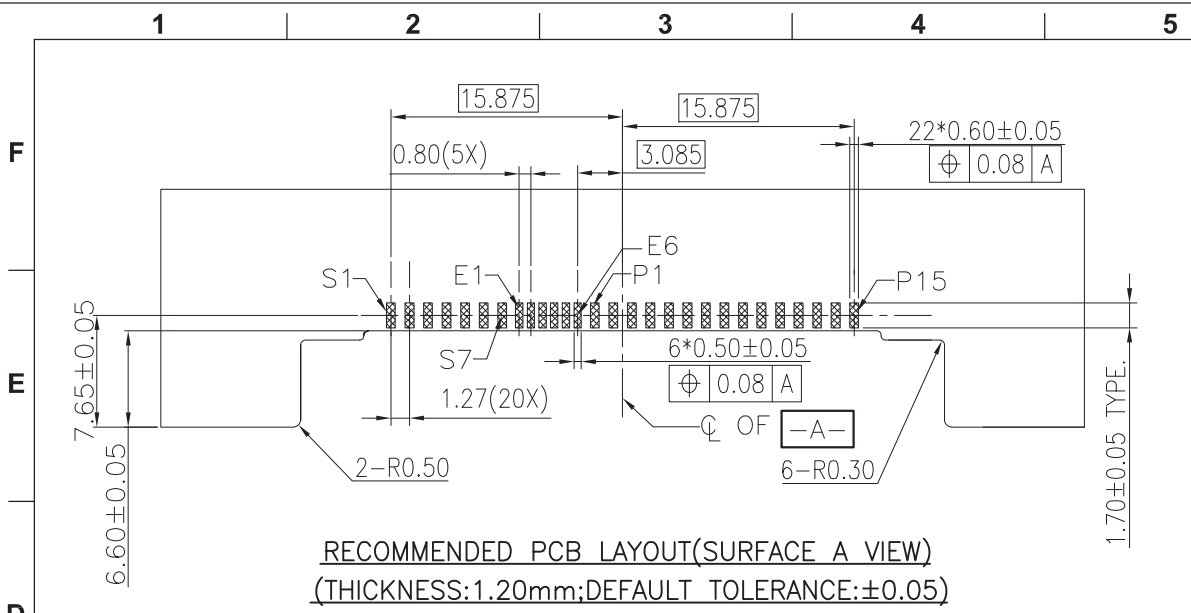
THE PEAK TEMPERATURE ON THE BOARD SHALL BE MAINTAINED FOR 10 SECONDS AT 260± 5℃.
- 6.HF COMPLIANT.

PRODUCT NUMBER NOTE:



GENERAL TOLERANCES UNLESS SPECIFIED		PART NO. SEE TABLE	<b>LOTES</b>			
X± 0.35	X°± 3°					APPROVED BY Jack_Fan
.XX± 0.25	.X°± 2°		CHECKED BY Kelven_Yao	DWG NO. GAP-ASAT0015		
.XXX± 0.15	.xx°± 1°	DRAWN BY Xiao_Feng		SHEET 2 / 5	SCALE 2:1	REV 1
SIZE A4	UNITS mm[inch]					

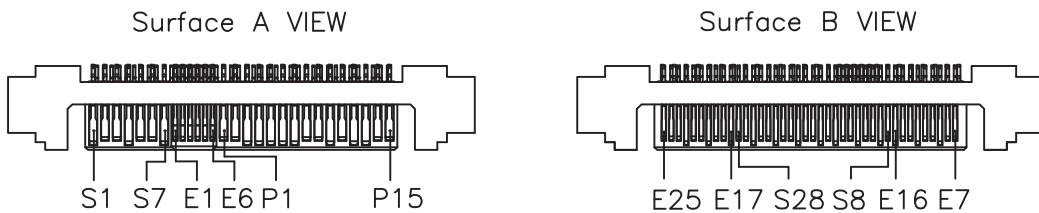
REV.	ECN NO./DESCRIPTION	DATE
1	N150034	01/09'15



GENERAL TOLERANCES UNLESS SPECIFIED		PART NO. SEE TABLE	<b>LOTES</b>		
X± 0.35	X°± 3°				
XX± 0.25	X°± 2°		APPROVED BY Jack_Fan	DWG NO. GAP-ASAT0015	
XXX± 0.15	XX°± 1°	CHECKED BY Kelven_Yao	DRAWN BY Xiao_Feng		
SIZE A4	UNITS mm[inch]	CUSTOMER DRAWING		SHEET 3 / 5	
				SCALE 2:1	REV 1

1	2		3	4		5	6		7	8																																																																																																																																																																																																																				
								REV.	ECN NO./DESCRIPTION	DATE																																																																																																																																																																																																																				
								1	N150034	01/09'15																																																																																																																																																																																																																				
<table border="1"> <thead> <tr> <th>PIN NO.</th> <th>TYPE</th> <th>DESCRIPTION</th> </tr> </thead> <tbody> <tr><td>S1</td><td>GROUND</td><td>GROUND</td></tr> <tr><td>S2</td><td>DIFF-PAIR</td><td>SAS/SATA 0 Tx+</td></tr> <tr><td>S3</td><td>DIFF-PAIR</td><td>SAS/SATA 0 Tx-</td></tr> <tr><td>S4</td><td>GROUND</td><td>GROUND</td></tr> <tr><td>S5</td><td>DIFF-PAIR</td><td>SAS/SATA 0 Rx-</td></tr> <tr><td>S6</td><td>DIFF-PAIR</td><td>SAS/SATA 0 Rx+</td></tr> <tr><td>S7</td><td>GROUND</td><td>GROUND</td></tr> <tr><td>S8</td><td>GROUND</td><td>GROUND</td></tr> <tr><td>S9</td><td>DIFF-PAIR</td><td>SAS 1 Tx+</td></tr> <tr><td>S10</td><td>DIFF-PAIR</td><td>SAS 1 Tx-</td></tr> <tr><td>S11</td><td>GROUND</td><td>GROUND</td></tr> <tr><td>S12</td><td>DIFF-PAIR</td><td>SAS 1 Rx-</td></tr> <tr><td>S13</td><td>DIFF-PAIR</td><td>SAS 1 Rx+</td></tr> <tr><td>S14</td><td>GROUND</td><td>GROUND</td></tr> <tr><td>S15</td><td>RESERVED</td><td>RESERVED</td></tr> <tr><td>S16</td><td>GROUND</td><td>GROUND</td></tr> <tr><td>S17</td><td>DIFF-PAIR</td><td>PCIe1/SAS 2 Tx+</td></tr> <tr><td>S18</td><td>DIFF-PAIR</td><td>PCIe1/SAS 2 Tx-</td></tr> <tr><td>S19</td><td>GROUND</td><td>GROUND</td></tr> <tr><td>S20</td><td>DIFF-PAIR</td><td>PCIe1/SAS 2 Rx-</td></tr> <tr><td>S21</td><td>DIFF-PAIR</td><td>PCIe1/SAS 2 Rx+</td></tr> <tr><td>S22</td><td>GROUND</td><td>GROUND</td></tr> <tr><td>S23</td><td>DIFF-PAIR</td><td>PCIe2/SAS 3 Tx+</td></tr> <tr><td>S24</td><td>DIFF-PAIR</td><td>PCIe2/SAS 3 Tx-</td></tr> <tr><td>S25</td><td>GROUND</td><td>GROUND</td></tr> <tr><td>S26</td><td>DIFF-PAIR</td><td>PCIe2/SAS 3 Rx-</td></tr> <tr><td>S27</td><td>DIFF-PAIR</td><td>PCIe2/SAS 3 Rx+</td></tr> <tr><td>S28</td><td>GROUND</td><td>GROUND</td></tr> </tbody> </table>			PIN NO.	TYPE	DESCRIPTION	S1	GROUND	GROUND	S2	DIFF-PAIR	SAS/SATA 0 Tx+	S3	DIFF-PAIR	SAS/SATA 0 Tx-	S4	GROUND	GROUND	S5	DIFF-PAIR	SAS/SATA 0 Rx-	S6	DIFF-PAIR	SAS/SATA 0 Rx+	S7	GROUND	GROUND	S8	GROUND	GROUND	S9	DIFF-PAIR	SAS 1 Tx+	S10	DIFF-PAIR	SAS 1 Tx-	S11	GROUND	GROUND	S12	DIFF-PAIR	SAS 1 Rx-	S13	DIFF-PAIR	SAS 1 Rx+	S14	GROUND	GROUND	S15	RESERVED	RESERVED	S16	GROUND	GROUND	S17	DIFF-PAIR	PCIe1/SAS 2 Tx+	S18	DIFF-PAIR	PCIe1/SAS 2 Tx-	S19	GROUND	GROUND	S20	DIFF-PAIR	PCIe1/SAS 2 Rx-	S21	DIFF-PAIR	PCIe1/SAS 2 Rx+	S22	GROUND	GROUND	S23	DIFF-PAIR	PCIe2/SAS 3 Tx+	S24	DIFF-PAIR	PCIe2/SAS 3 Tx-	S25	GROUND	GROUND	S26	DIFF-PAIR	PCIe2/SAS 3 Rx-	S27	DIFF-PAIR	PCIe2/SAS 3 Rx+	S28	GROUND	GROUND	<table border="1"> <thead> <tr> <th>PIN NO.</th> <th>TYPE</th> <th>DESCRIPTION</th> </tr> </thead> <tbody> <tr><td>E1</td><td>DIFF-PAIR</td><td>PCIe REFERENCE CLOCK+(PORT B)</td></tr> <tr><td>E2</td><td>DIFF-PAIR</td><td>PCIe REFERENCE CLOCK-(PORT B)</td></tr> <tr><td>E3</td><td>POWER</td><td>3.3V FOR SM BUS</td></tr> <tr><td>E4</td><td>OUTPUT</td><td>PCIE RESET(PORT B)</td></tr> <tr><td>E5</td><td>OUTPUT</td><td>PCIE RESET(PORT A)</td></tr> <tr><td>E6</td><td>RESERVED</td><td>RESERVED</td></tr> <tr><td>E7</td><td>DIFF-PAIR</td><td>PCIe REFERENCE CLOCK+(PORT A)</td></tr> <tr><td>E8</td><td>DIFF-PAIR</td><td>PCIe REFERENCE CLOCK-(PORT A)</td></tr> <tr><td>E9</td><td>GROUND</td><td>GROUND</td></tr> <tr><td>E10</td><td>DIFF-PAIR</td><td>PCIe 0 Tx+</td></tr> <tr><td>E11</td><td>DIFF-PAIR</td><td>PCIe 0 Tx-</td></tr> <tr><td>E12</td><td>GROUND</td><td>GROUND</td></tr> <tr><td>E13</td><td>DIFF-PAIR</td><td>PCIe 0 Rx-</td></tr> <tr><td>E14</td><td>DIFF-PAIR</td><td>PCIe 0 Rx+</td></tr> <tr><td>E15</td><td>GROUND</td><td>GROUND</td></tr> <tr><td>E16</td><td>RESERVED</td><td>RESERVED</td></tr> <tr><td>E17</td><td>DIFF-PAIR</td><td>PCIe 3 Tx+</td></tr> <tr><td>E18</td><td>DIFF-PAIR</td><td>PCIe 3 Tx-</td></tr> <tr><td>E19</td><td>GROUND</td><td>GROUND</td></tr> <tr><td>E20</td><td>DIFF-PAIR</td><td>PCIe 3 Rx-</td></tr> <tr><td>E21</td><td>DIFF-PAIR</td><td>PCIe 3 Rx+</td></tr> <tr><td>E22</td><td>GROUND</td><td>GROUND</td></tr> <tr><td>E23</td><td>Bi-Dir</td><td>SM BUS CLOCK</td></tr> <tr><td>E24</td><td>Bi-Dir</td><td>SM BUS DATA</td></tr> <tr><td>E25</td><td>OUTPUT</td><td>PCIe DUAL PORT ENABLE</td></tr> </tbody> </table>			PIN NO.	TYPE	DESCRIPTION	E1	DIFF-PAIR	PCIe REFERENCE CLOCK+(PORT B)	E2	DIFF-PAIR	PCIe REFERENCE CLOCK-(PORT B)	E3	POWER	3.3V FOR SM BUS	E4	OUTPUT	PCIE RESET(PORT B)	E5	OUTPUT	PCIE RESET(PORT A)	E6	RESERVED	RESERVED	E7	DIFF-PAIR	PCIe REFERENCE CLOCK+(PORT A)	E8	DIFF-PAIR	PCIe REFERENCE CLOCK-(PORT A)	E9	GROUND	GROUND	E10	DIFF-PAIR	PCIe 0 Tx+	E11	DIFF-PAIR	PCIe 0 Tx-	E12	GROUND	GROUND	E13	DIFF-PAIR	PCIe 0 Rx-	E14	DIFF-PAIR	PCIe 0 Rx+	E15	GROUND	GROUND	E16	RESERVED	RESERVED	E17	DIFF-PAIR	PCIe 3 Tx+	E18	DIFF-PAIR	PCIe 3 Tx-	E19	GROUND	GROUND	E20	DIFF-PAIR	PCIe 3 Rx-	E21	DIFF-PAIR	PCIe 3 Rx+	E22	GROUND	GROUND	E23	Bi-Dir	SM BUS CLOCK	E24	Bi-Dir	SM BUS DATA	E25	OUTPUT	PCIe DUAL PORT ENABLE	<table border="1"> <thead> <tr> <th>PIN NO.</th> <th>TYPE</th> <th>DESCRIPTION</th> </tr> </thead> <tbody> <tr><td>P1</td><td>INPUT</td><td>RESERVED(WAKE#)</td></tr> <tr><td>P2</td><td>Bi-Dir</td><td>DEVICE RESET</td></tr> <tr><td>P3</td><td>OUTPUT</td><td>DEVICE SLEEP</td></tr> <tr><td>P4</td><td>INPUT</td><td>INTERFACE TYPE DETECT</td></tr> <tr><td>P5</td><td>GROUND</td><td>GROUND</td></tr> <tr><td>P6</td><td>GROUND</td><td>GROUND</td></tr> <tr><td>P7</td><td>POWER</td><td>+5V PRECHARGE</td></tr> <tr><td>P8</td><td>POWER</td><td>+5V</td></tr> <tr><td>P9</td><td>POWER</td><td>+5V</td></tr> <tr><td>P10</td><td>INPUT</td><td>DEVICE PRESENT</td></tr> <tr><td>P11</td><td>Bi-Dir</td><td>ACTIVITY/SPINUP</td></tr> <tr><td>P12</td><td>GROUND</td><td>HOST PLUG GROUND</td></tr> <tr><td>P13</td><td>POWER</td><td>+12V PRECHARGE</td></tr> <tr><td>P14</td><td>POWER</td><td>+12V</td></tr> <tr><td>P15</td><td>POWER</td><td>+12V</td></tr> </tbody> </table>				PIN NO.	TYPE	DESCRIPTION	P1	INPUT	RESERVED(WAKE#)	P2	Bi-Dir	DEVICE RESET	P3	OUTPUT	DEVICE SLEEP	P4	INPUT	INTERFACE TYPE DETECT	P5	GROUND	GROUND	P6	GROUND	GROUND	P7	POWER	+5V PRECHARGE	P8	POWER	+5V	P9	POWER	+5V	P10	INPUT	DEVICE PRESENT	P11	Bi-Dir	ACTIVITY/SPINUP	P12	GROUND	HOST PLUG GROUND	P13	POWER	+12V PRECHARGE	P14	POWER	+12V	P15	POWER	+12V
PIN NO.	TYPE	DESCRIPTION																																																																																																																																																																																																																												
S1	GROUND	GROUND																																																																																																																																																																																																																												
S2	DIFF-PAIR	SAS/SATA 0 Tx+																																																																																																																																																																																																																												
S3	DIFF-PAIR	SAS/SATA 0 Tx-																																																																																																																																																																																																																												
S4	GROUND	GROUND																																																																																																																																																																																																																												
S5	DIFF-PAIR	SAS/SATA 0 Rx-																																																																																																																																																																																																																												
S6	DIFF-PAIR	SAS/SATA 0 Rx+																																																																																																																																																																																																																												
S7	GROUND	GROUND																																																																																																																																																																																																																												
S8	GROUND	GROUND																																																																																																																																																																																																																												
S9	DIFF-PAIR	SAS 1 Tx+																																																																																																																																																																																																																												
S10	DIFF-PAIR	SAS 1 Tx-																																																																																																																																																																																																																												
S11	GROUND	GROUND																																																																																																																																																																																																																												
S12	DIFF-PAIR	SAS 1 Rx-																																																																																																																																																																																																																												
S13	DIFF-PAIR	SAS 1 Rx+																																																																																																																																																																																																																												
S14	GROUND	GROUND																																																																																																																																																																																																																												
S15	RESERVED	RESERVED																																																																																																																																																																																																																												
S16	GROUND	GROUND																																																																																																																																																																																																																												
S17	DIFF-PAIR	PCIe1/SAS 2 Tx+																																																																																																																																																																																																																												
S18	DIFF-PAIR	PCIe1/SAS 2 Tx-																																																																																																																																																																																																																												
S19	GROUND	GROUND																																																																																																																																																																																																																												
S20	DIFF-PAIR	PCIe1/SAS 2 Rx-																																																																																																																																																																																																																												
S21	DIFF-PAIR	PCIe1/SAS 2 Rx+																																																																																																																																																																																																																												
S22	GROUND	GROUND																																																																																																																																																																																																																												
S23	DIFF-PAIR	PCIe2/SAS 3 Tx+																																																																																																																																																																																																																												
S24	DIFF-PAIR	PCIe2/SAS 3 Tx-																																																																																																																																																																																																																												
S25	GROUND	GROUND																																																																																																																																																																																																																												
S26	DIFF-PAIR	PCIe2/SAS 3 Rx-																																																																																																																																																																																																																												
S27	DIFF-PAIR	PCIe2/SAS 3 Rx+																																																																																																																																																																																																																												
S28	GROUND	GROUND																																																																																																																																																																																																																												
PIN NO.	TYPE	DESCRIPTION																																																																																																																																																																																																																												
E1	DIFF-PAIR	PCIe REFERENCE CLOCK+(PORT B)																																																																																																																																																																																																																												
E2	DIFF-PAIR	PCIe REFERENCE CLOCK-(PORT B)																																																																																																																																																																																																																												
E3	POWER	3.3V FOR SM BUS																																																																																																																																																																																																																												
E4	OUTPUT	PCIE RESET(PORT B)																																																																																																																																																																																																																												
E5	OUTPUT	PCIE RESET(PORT A)																																																																																																																																																																																																																												
E6	RESERVED	RESERVED																																																																																																																																																																																																																												
E7	DIFF-PAIR	PCIe REFERENCE CLOCK+(PORT A)																																																																																																																																																																																																																												
E8	DIFF-PAIR	PCIe REFERENCE CLOCK-(PORT A)																																																																																																																																																																																																																												
E9	GROUND	GROUND																																																																																																																																																																																																																												
E10	DIFF-PAIR	PCIe 0 Tx+																																																																																																																																																																																																																												
E11	DIFF-PAIR	PCIe 0 Tx-																																																																																																																																																																																																																												
E12	GROUND	GROUND																																																																																																																																																																																																																												
E13	DIFF-PAIR	PCIe 0 Rx-																																																																																																																																																																																																																												
E14	DIFF-PAIR	PCIe 0 Rx+																																																																																																																																																																																																																												
E15	GROUND	GROUND																																																																																																																																																																																																																												
E16	RESERVED	RESERVED																																																																																																																																																																																																																												
E17	DIFF-PAIR	PCIe 3 Tx+																																																																																																																																																																																																																												
E18	DIFF-PAIR	PCIe 3 Tx-																																																																																																																																																																																																																												
E19	GROUND	GROUND																																																																																																																																																																																																																												
E20	DIFF-PAIR	PCIe 3 Rx-																																																																																																																																																																																																																												
E21	DIFF-PAIR	PCIe 3 Rx+																																																																																																																																																																																																																												
E22	GROUND	GROUND																																																																																																																																																																																																																												
E23	Bi-Dir	SM BUS CLOCK																																																																																																																																																																																																																												
E24	Bi-Dir	SM BUS DATA																																																																																																																																																																																																																												
E25	OUTPUT	PCIe DUAL PORT ENABLE																																																																																																																																																																																																																												
PIN NO.	TYPE	DESCRIPTION																																																																																																																																																																																																																												
P1	INPUT	RESERVED(WAKE#)																																																																																																																																																																																																																												
P2	Bi-Dir	DEVICE RESET																																																																																																																																																																																																																												
P3	OUTPUT	DEVICE SLEEP																																																																																																																																																																																																																												
P4	INPUT	INTERFACE TYPE DETECT																																																																																																																																																																																																																												
P5	GROUND	GROUND																																																																																																																																																																																																																												
P6	GROUND	GROUND																																																																																																																																																																																																																												
P7	POWER	+5V PRECHARGE																																																																																																																																																																																																																												
P8	POWER	+5V																																																																																																																																																																																																																												
P9	POWER	+5V																																																																																																																																																																																																																												
P10	INPUT	DEVICE PRESENT																																																																																																																																																																																																																												
P11	Bi-Dir	ACTIVITY/SPINUP																																																																																																																																																																																																																												
P12	GROUND	HOST PLUG GROUND																																																																																																																																																																																																																												
P13	POWER	+12V PRECHARGE																																																																																																																																																																																																																												
P14	POWER	+12V																																																																																																																																																																																																																												
P15	POWER	+12V																																																																																																																																																																																																																												

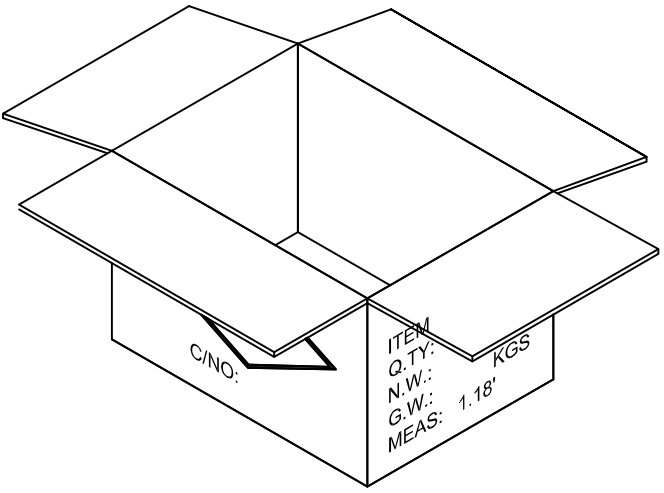
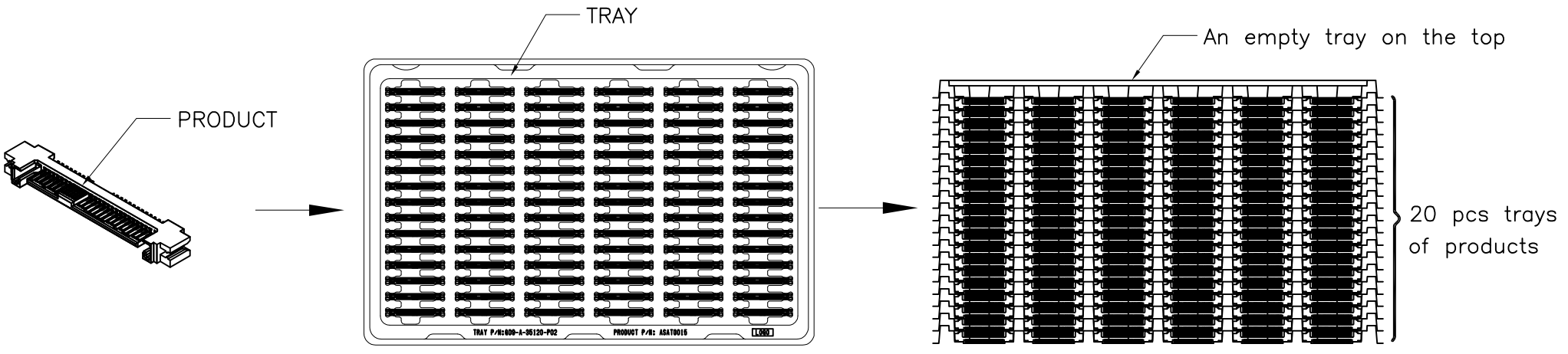
Note: Signal name/type is given with respect to the Host Receptacle.



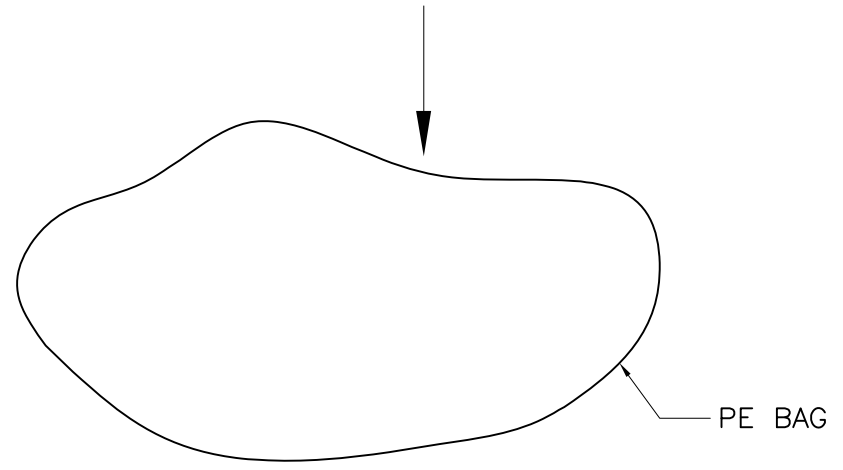
GENERAL TOLERANCES UNLESS SPECIFIED		PART NO. SEE TABLE	<b>LOTES</b>			
X± 0.35	X°± 3°					
.XX± 0.25	.X°± 2°	APPROVED BY Jack_Fan	TITLE SFF-8639 Plug Conn.			
.XXX± 0.15	.XX°± 1°	CHECKED BY Kelven_Yao	DWG NO. GAP-ASAT0015			
CUSTOMER DRAWING		DRAWN BY Xiao_Feng		SHEET	SCALE	REV
SIZE A4	UNITS mm[inch]			4 / 5	2:1	1

# TRAY PACK

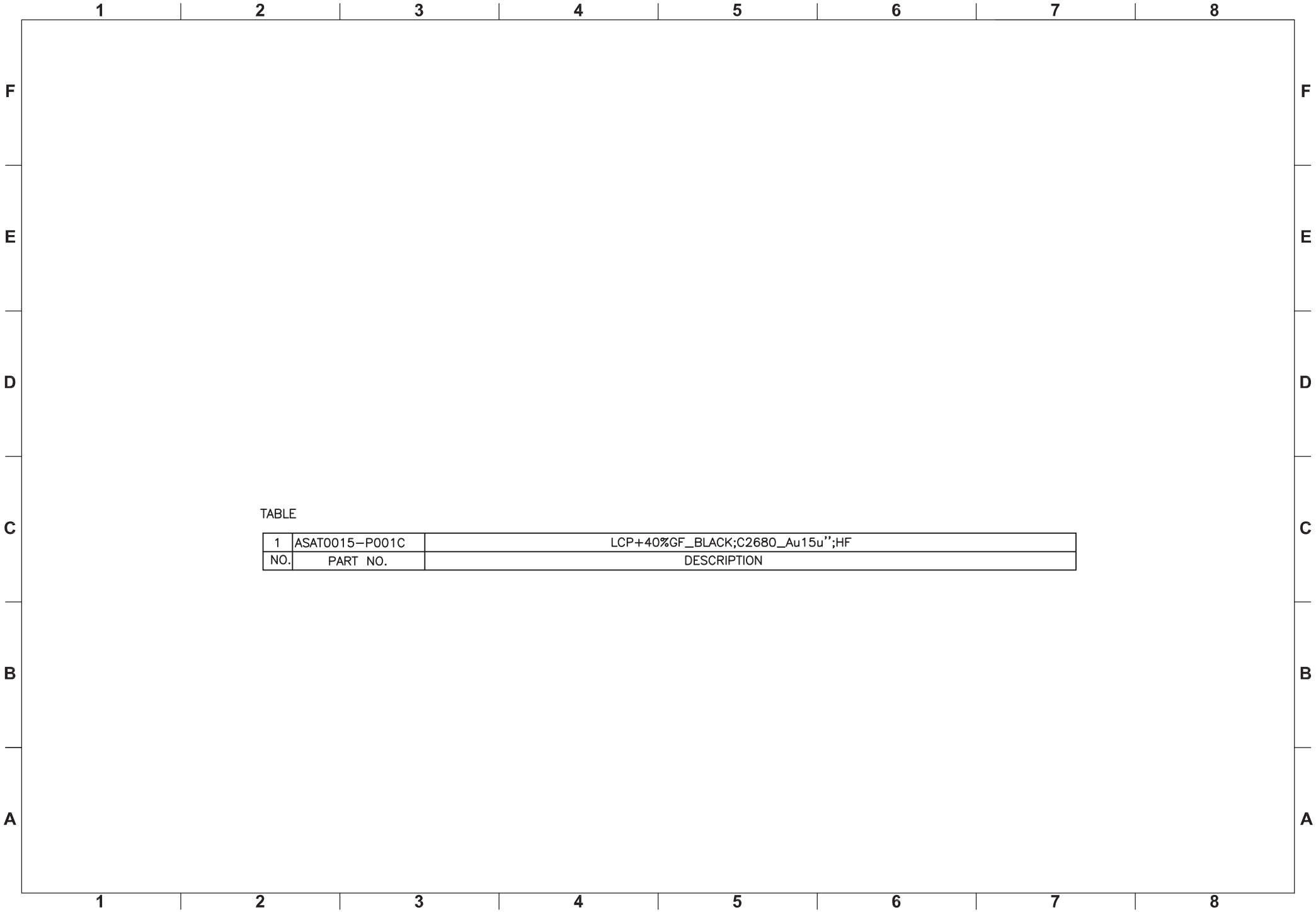
REV.	ECN NO./DESCRIPTION	DATE
1	N150034	01/09/15



1800 pcs of products per carton



GENERAL TOLERANCES UNLESS SPECIFIED		PART NO.	<b>LOTES</b>		
.X ± 0.35	X° ± 3°	SEE TABLE	TITLE		
.XX ± 0.25	.X° ± 2°	APPROVED BY	SFF-8639 Plug Conn.		
.XXX ± 0.15	.XX° ± 1°	Jack_Fan	DWG NO.		
CUSTOMER DRAWING		CHECKED BY	GAP-ASAT0015		
SIZE	UNITS	DRAWN BY	SHEET SCALE REV		
A4	mm[inch]	Xiao_Feng	5 / 5	2:1	1



TABLE

1	ASAT0015-P001C	LCP+40%GF_BLACK;C2680_Au15u'';HF
NO.	PART NO.	DESCRIPTION