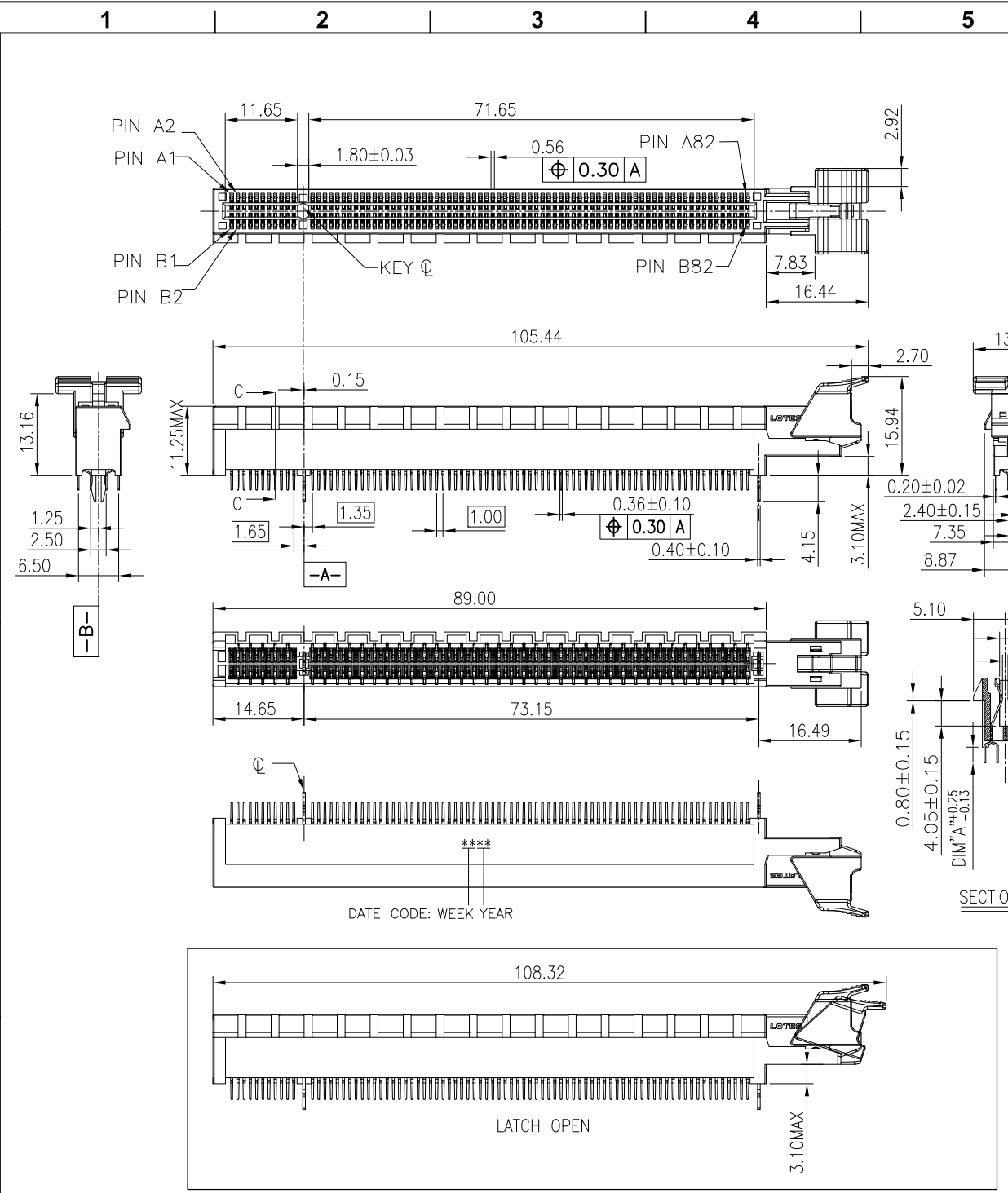
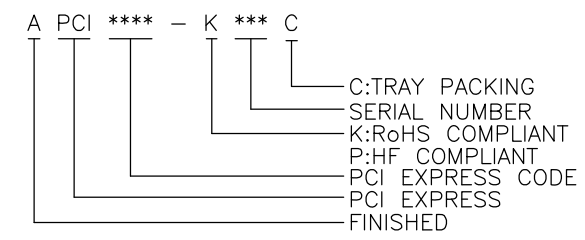


REV.	ECN NO./DESCRIPTION	DATE
1	N130762	11/06'13
2	N140095	03/04'14
3	N140306	07/02'14

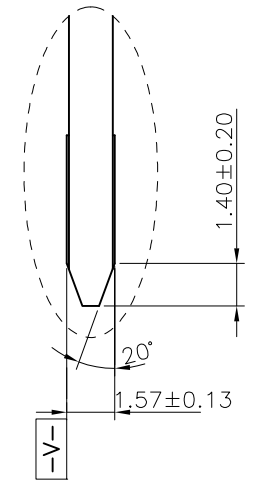
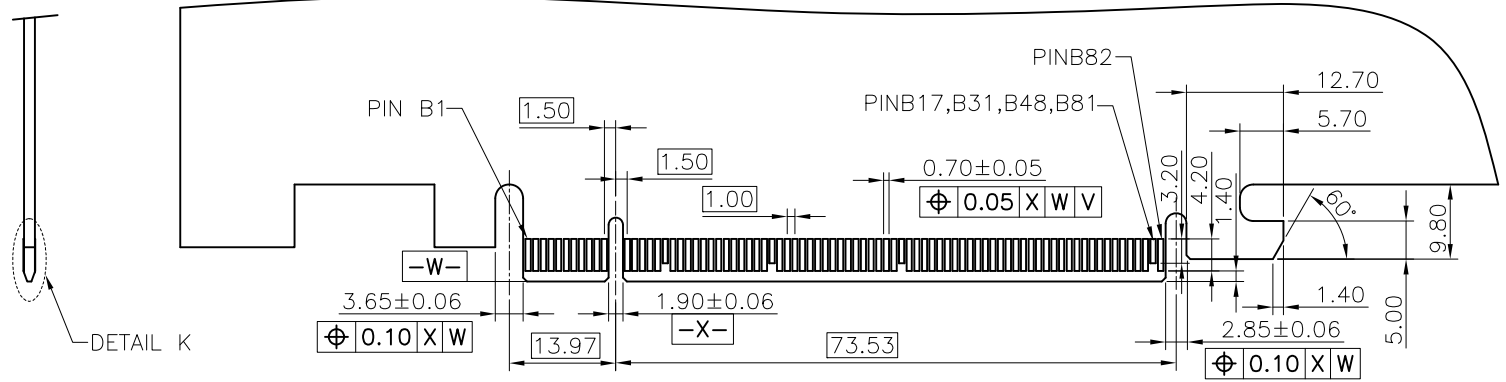
NOTES:

- MATERIAL:
HOUSING:PA66+30%GF ; COLOR:SEE TABLE
LATCH:PA66+30%GF.COLOR: SEE TABLE
TERMINAL:BRASS C2680 OR PHOSPHOR BRONZE C5191
HOOK: S50C;
- FINISH:
TERMINAL: 50u" NI PLATING OVER ALL;
100u" MATTE Sn PLATING ON SOLDER TAIL;
GOLD PLATING ON CONTACT AREA.
HOOK: 50u" NI MIN PLATING OVER ALL.
- MECHANICAL SPEC:
DURABILITY: 50 CYCLES.
RETENTION FORCE: 0.40 kgf MIN PER PIN.
MATING FORCE: 1.15N MAX PER PAIR.
UNMATING FORCE: 0.15N MIN PER PAIR.
- ELECTRICAL SPEC:
CURRENT RATING: 1.1A.
CONTACT RESISTANCE: 30 MILLIOHMS MAX. INITIAL.
INSULATION RESISTANCE: 1000 MEGOHMS MIN.
DIELECTRIC WITHSTANDING VOLTAGE: 500V AC MIN.
- WAVE SOLDERING:
THE CONNECTOR SHALL BE MOUNTED ON THE PCB,
THE TEMPERATURE OF THE SOLDER SHALL BE
260±5°C AND IMMERSION DURATION 10±2 SECONDS.
- RoHS COMPLIANT OR HALOGEN FREE COMPLIANT.
- PRODUCT NUMBER NOTE:

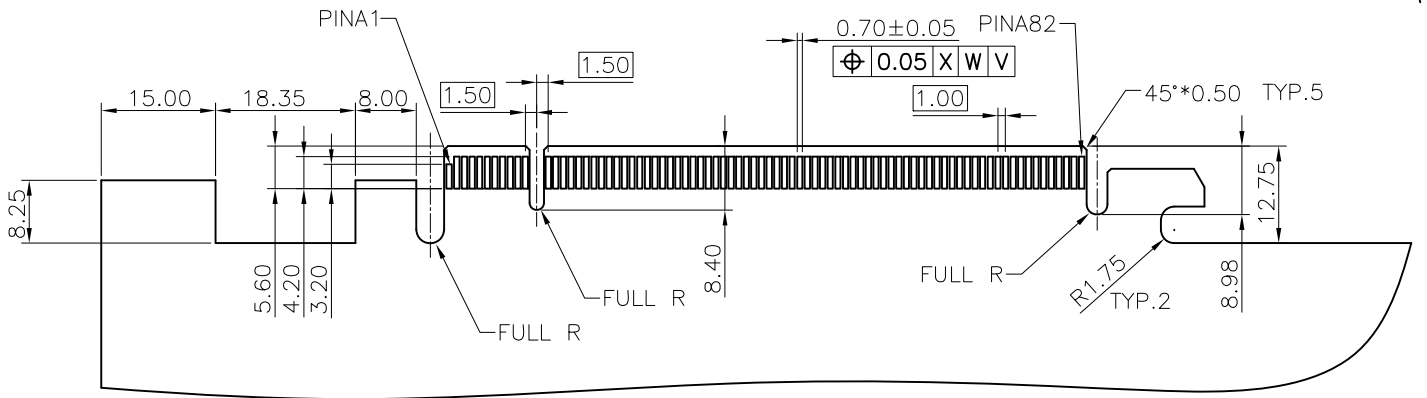


GENERAL TOLERANCES UNLESS SPECIFIED		PART NO.	LOTES		
.X± 0.35	X°± 3°	APCI0081-K001C	TITLE 164PIN PCI-E CONNECTOR WITH DOUBLE PUSH LATCH		
.XX± 0.25	X°± 2°	APPROVED BY Bill 07/02'14	DWG NO. GAP-APCI0081		
.XXX± 0.15	.XX°± 1°	CHECKED BY Bill 07/02'14	SHEET 1 / 2		
CUSTOMER DRAWING		DRAWN BY Mark zhang 07/02'14	SCALE 1:1	REV 3	
SIZE A4	UNITS MM[INCH]	DRAWN BY Mark zhang 07/02'14		REV 3	

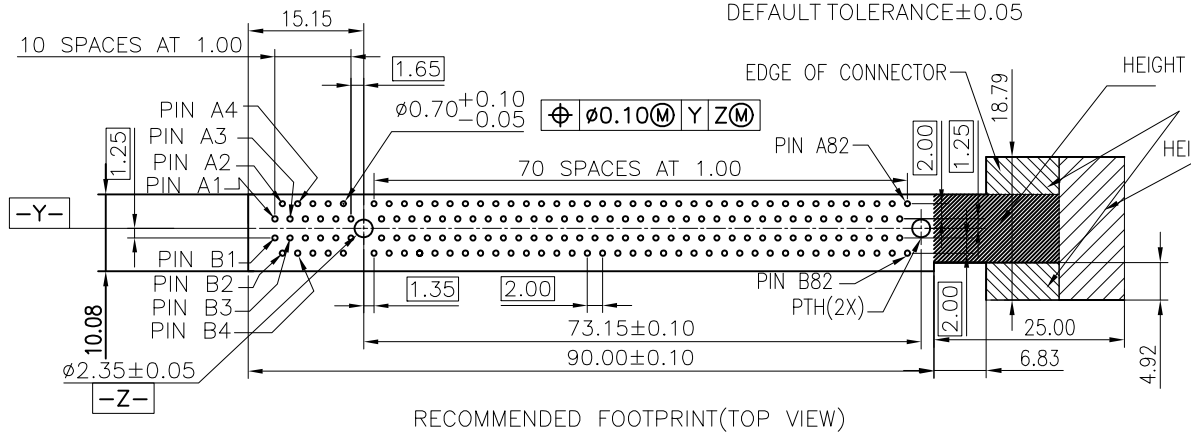
REV.	ECN NO./DESCRIPTION	DATE
1	N130762	11/06'13
2	N140095	03/04'14
3	N140306	07/02'14



DETAIL K
SCALE 4:1



ADD-IN CARD EDGE-FINGER DIMENSIONS
DEFAULT TOLERANCE±0.05



RECOMMENDED FOOTPRINT(TOP VIEW)
DEFAULT TOLERANCE±0.05

GENERAL TOLERANCES UNLESS SPECIFIED		PART NO. APCI0081-K001C	LOTES		
.X± 0.35	X°± 3°				
.XX± 0.25	X°± 2°	APPROVED BY Bill 07/02'14	TITLE 164PIN PCI-E CONNECTOR WITH DOUBLE PUSH LATCH		
.XXX± 0.15	.XX°± 1°	CHECKED BY Bill 07/02'14	DWG NO. GAP-APCI0081		
CUSTOMER DRAWING		DRAWN BY Mark zhang 07/02'14	SHEET 2 / 2		
SIZE A4	UNITS MM[INCH]	SCALE 1:1	REV 3		

TABLE

PART NO:	SPEC				
	HOUSING	LATCH	TERMINAL	HOOK	DIM"A"
APCI0081-K001C	PA66+30%GF_BLACK UL-94V0	PA66+30%GF_BLACK UL-94V0	BRASS C2680_1u"	S50C	2.54
APCI0081-K002C	PA66+30%GF_DARK BLUE293C UL-94V0	PA66+30%GF_DARK BLUE293C UL-94V0	BRASS C2680_1u"	S50C	2.54
APCI0081-K003C	PA66+30%GF_GRAY 431C UL-94V0	PA66+30%GF_GRAY 431C UL-94V0	BRASS C2680_1u"	S50C	2.54
APCI0081-K005C	PA66+30%GF_BEIGE 7530C UL-94V0	PA66+30%GF_BEIGE 7530C UL-94V0	BRASS C2680_1u"	S50C	2.54
APCI0081-K006C	PA66+30%GF_WHITE UL-94V0	PA66+30%GF_WHITE UL-94V0	BRASS C2680_1u"	S50C	2.54
APCI0081-K008C	PA66+30%GF_GREEN 376C UL-94V0	PA66+30%GF_GREEN 376C UL-94V0	BRASS C2680_1u"	S50C	2.54
APCI0081-K011C	PA66+30%GF_BLACK UL-94V0	PA66+30%GF_BLACK UL-94V0	BRASS C2680_15u"	S50C	2.54
APCI0081-K012C	PA66+30%GF_SNOWY WHITE UL-94V0	PA66+30%GF_SNOWY WHITE UL-94V0	BRASS C2680_1u"	S50C	2.54
APCI0081-K017C	PA66+30%GF_RED G1795U UL-94V0	PA66+30%GF_RED G1795U UL-94V0	BRASS C2680_1u"	S50C	2.54