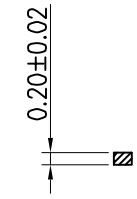
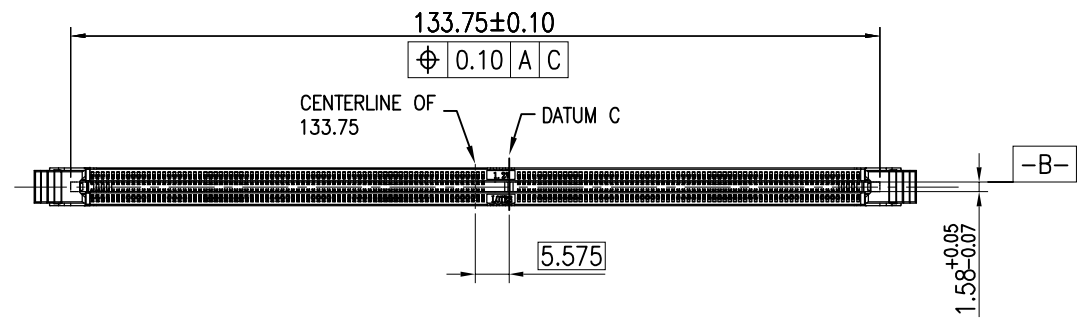
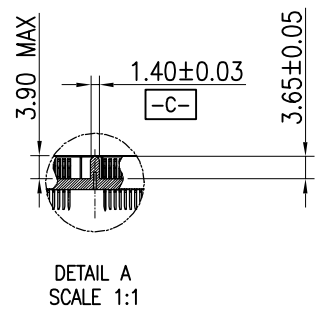
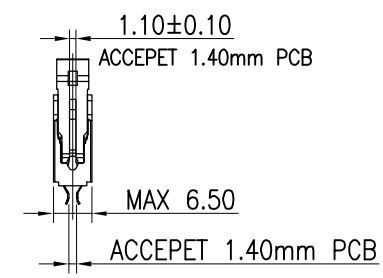
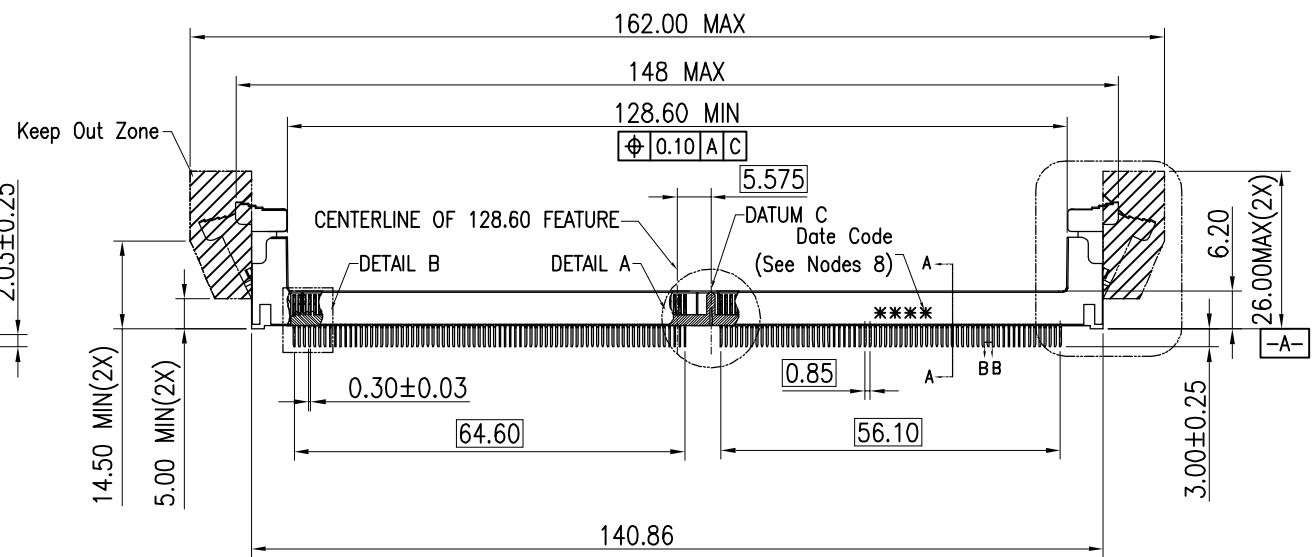


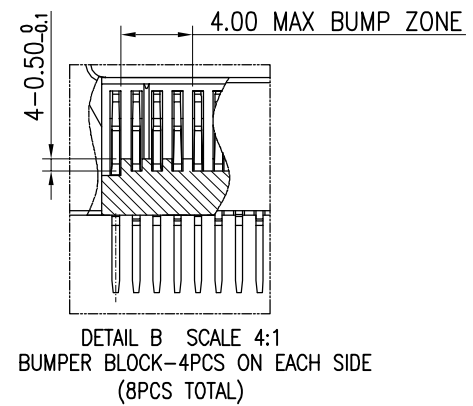
REV.	ECN NO./DESCRIPTION	DATE
A	R150249	02/19'16



SOLDER TAIL SECTION  
SECTION B-B(10:1)



DETAIL A  
SCALE 1:1

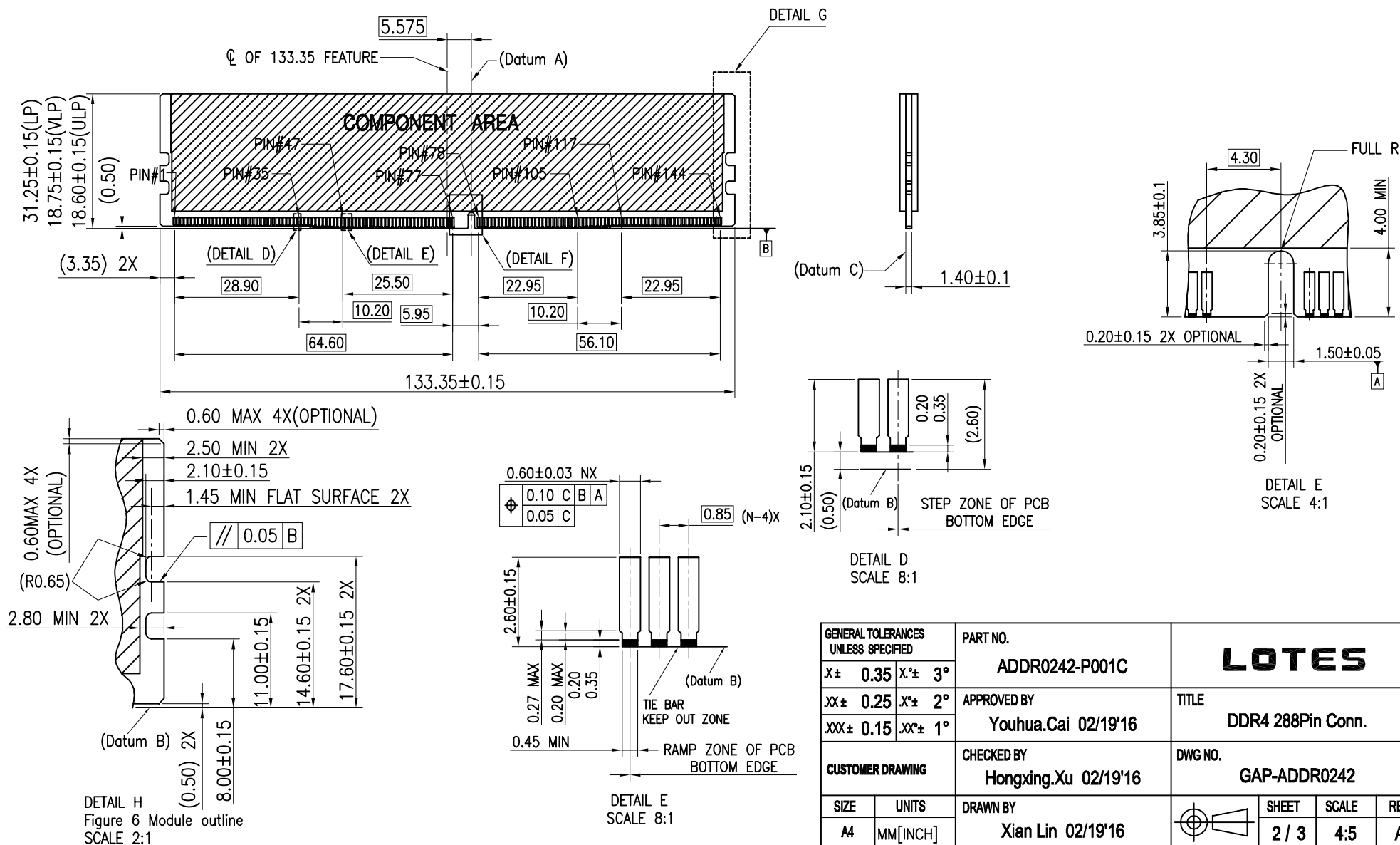


DETAIL B SCALE 4:1  
BUMPER BLOCK-4PCS ON EACH SIDE  
(8PCS TOTAL)

GENERAL TOLERANCES UNLESS SPECIFIED		PART NO. ADDR0242-P001C	<b>LOTES</b>		
X± 0.35	X°± 3°				
XX± 0.25	XX°± 2°	APPROVED BY Youhua.Cai 02/19'16	TITLE DDR4 288Pin Conn.		
XXX± 0.15	XXX°± 1°	CHECKED BY Hongxing.Xu 02/19'16	DWG NO. GAP-ADDR0242		
CUSTOMER DRAWING		DRAWN BY Xian Lin 02/19'16	SHEET 1 / 3	SCALE 4:5	REV A
SIZE A4	UNITS MM[INCH]				

REV.	ECN NO./DESCRIPTION	DATE
A	R150249	02/19'16

## RECOMMENDED PIN TAIL PCB LAYOUT



REV.	ECN NO./DESCRIPTION	DATE
A	R150249	02/19'16

F

F

E

E

D

D

C

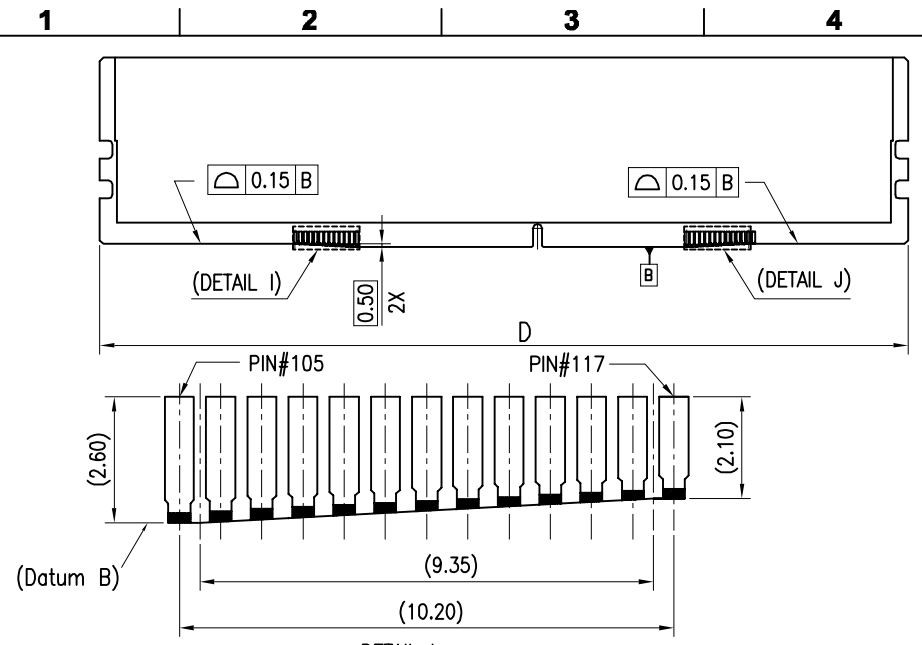
C

B

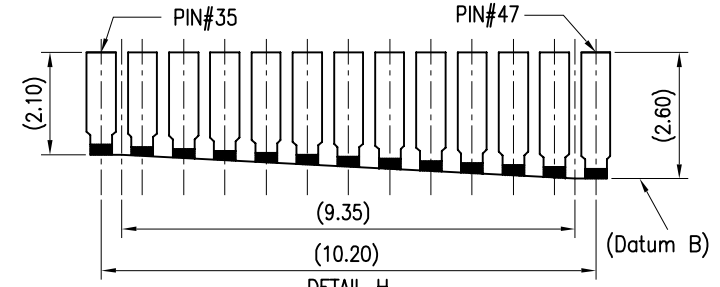
B

A

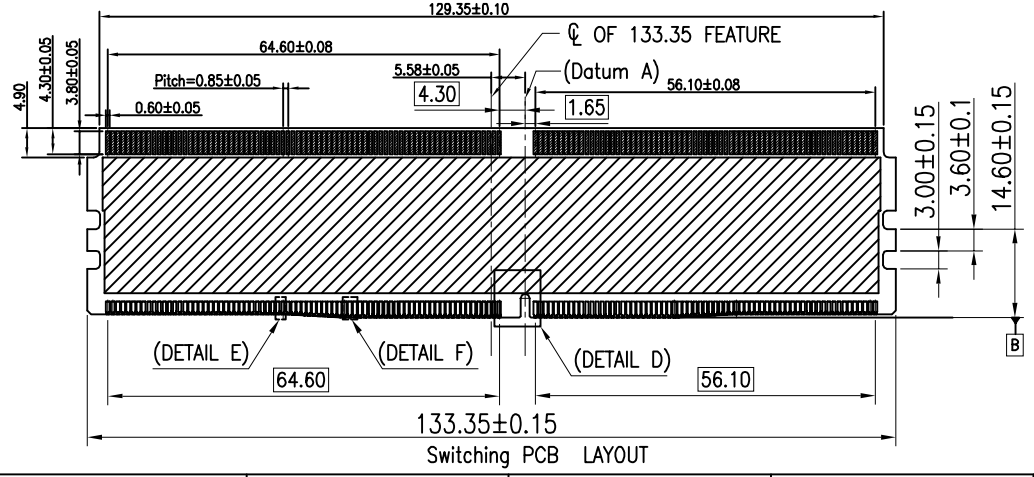
A



DETAIL I  
Figure 7 Step and ramp dimensions



DETAIL H



Switching PCB LAYOUT

NOTES:

- MATERIAL: HOUSING: PA4T+30%GF Or PA10T+35%GF Or PA46+40%GF, UL94V-0, COLOR:SEE TABLE.  
EJECTOR: PA66+30%GF, UL94V-0, COLOR: SEE TABLE.  
CONTACT: SPECIFIC COPPER OR PHOSPHOR BRONZE.(DETAILS REFER TO TABLE)
- FINISH: CONTACT: 50u"MIN NICKEL UNDERPLATED;  
100u"MIN MATTE TIN PLATED ON SOLDER AREA.  
GOLD PLATING AT CONTACT AREA,THICKNESS SEE TABLE
- RECOMMENDED MODULE LAYOUT SHOULD BE MO-XXX FROM JEDEC.
- IR REFLOW:  
THE TEMPERATURE SHALL BE 260+5/-0° MAINTAINING 10 SECONDS
- MECHANICAL PERFORMANCE:  
5-1. INSERTION FORCE-MODULE TO CONNECTOR: 106.8N MAX  
5-2. INSERTION FORCE-CONNECTOR TO BOARD: 75N MAX  
5-3. DURABILITY: 25 CYCLES  
5-4. RETENTION FORCE: 300gf/PIN MIN  
5-5. UNMATING FORCE(PER PIN PAIR): 14gf MIN  
5-6. NORMAL FORCE:50gf MIN
- ELECTRICAL PERFORMANCE:  
6-1. VOLTAGE RATING: 1.2V±0.1V  
6-2. CURRENT RATING: 0.75A PER PIN MAX  
6-3. IMPEDANCE: 50ohm  
6-4. LLCR: 10mΩ MAX.(INITIAL), ΔR: 10mΩ MAX  
6-5. INSULATION RESISTANCE: 500V DC, 1MΩ MIN  
6-6. DIELECTRIC WITHSTANDING VOLTAGE: APPLY 500V AC, NO BREAKDOWN.
- ROHS AND HF COMPLIANT.

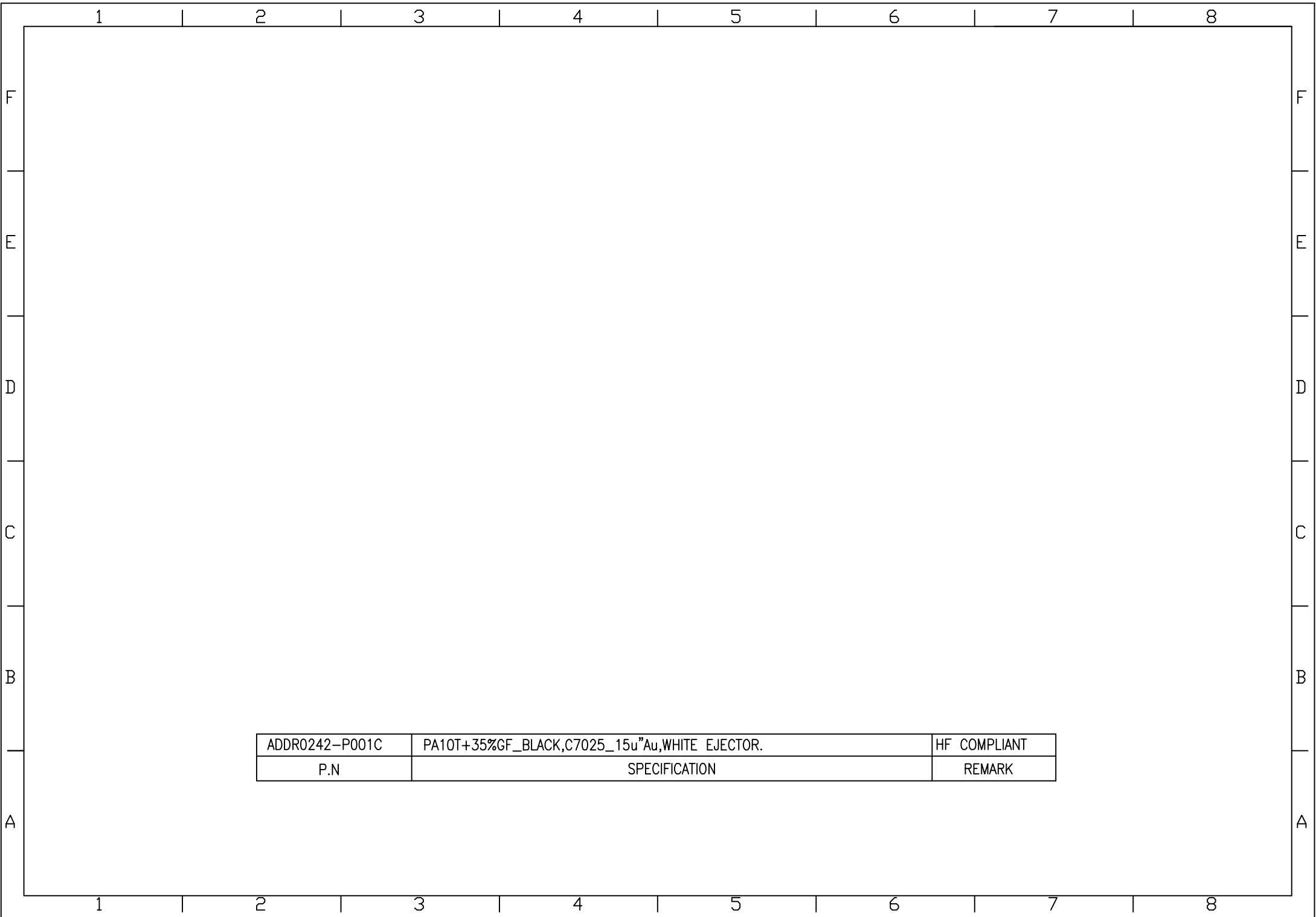
8. D/C \*\* \*\* WEEK  
YEAR

9.PRODUCT NUMBER NOTE:

ADDRXXXX-XXXXXX

- ADDRXXXX - CUSTOMER NUMBER
- XXXXXX - TRAY PACKING
- XXXXXX - PRODUCT SERIES NUMBER
- XXXXXX - P:HF COMPLIANT/K:ROHS COMPLIANT
- XXXXXX - TYPE SERIES NUMBER
- XXXXXX - DDR TYPE
- XXXXXX - FINISHED PRODUCT

GENERAL TOLERANCES UNLESS SPECIFIED		PART NO.	<b>LOTES</b>		
X± 0.35	X°± 3°	ADDR0242-P001C	TITLE		
XX± 0.25	X°± 2°	APPROVED BY	DDR4 288Pin Conn.		
XXX± 0.15	XX°± 1°	Youhua.Cai 02/19'16	DWG NO.		
CUSTOMER DRAWING		CHECKED BY	GAP-ADDR0242		
SIZE	UNITS	DRAWN BY	SHEET		
A4	MM[INCH]	Xian Lin 02/19'16	3 / 3	SCALE	REV
			4:5	A	



ADDR0242-P001C	PA10T+35%GF_BLACK,C7025_15u"Au,WHITE EJECTOR.	HF COMPLIANT
P.N	SPECIFICATION	REMARK