

标记 REV. LINE	日期 DATE	版别 REV.	变更内容 REVISION NOTES
-----------------	------------	------------	------------------------

姓名
NAME

规格说明: Specifications:

电气特性: Electrical:

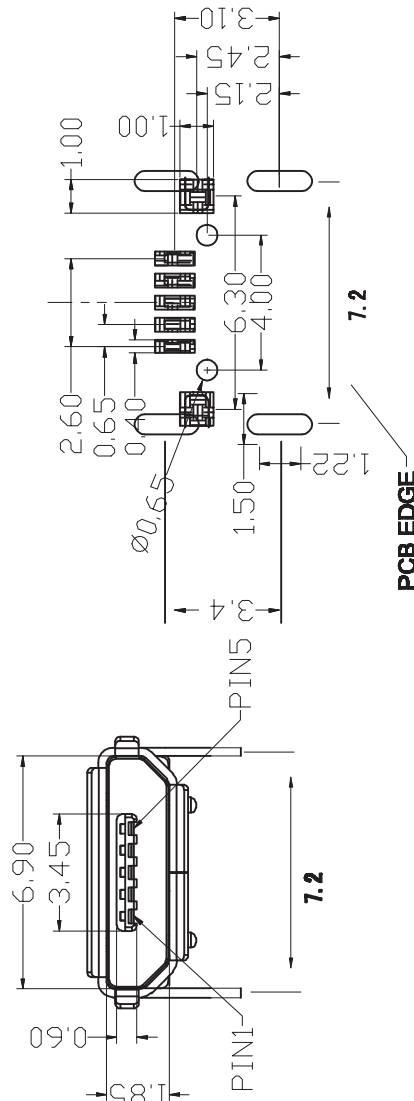
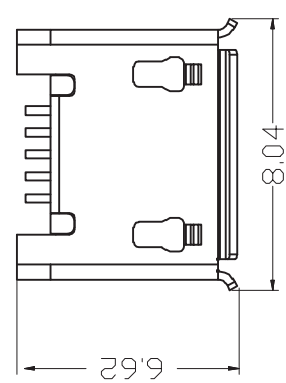
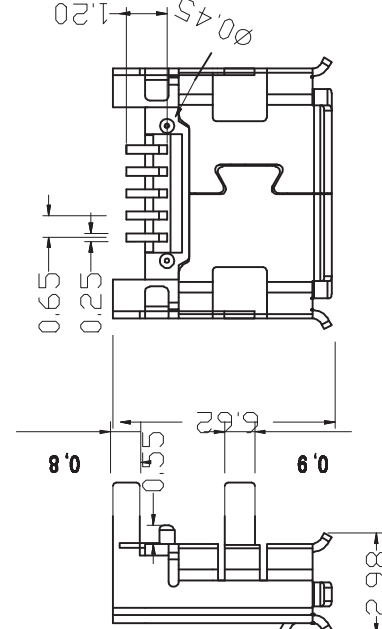
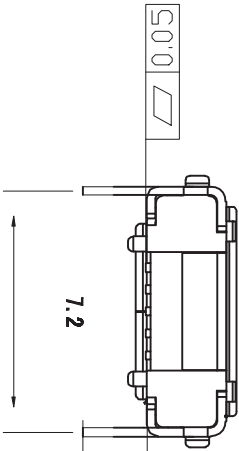
1. 额定电流: Current Rating
1.0A/contact terminal
2. 额定电压: Voltage Rating
30V DC
3. 接触阻抗: Contact Resistance
50 milliohms MAX
4. 耐压: Dielectric Withstanding Voltage:
300 V AC AT Sea Level
5. 绝缘阻抗: Insulation Resistance:
100MEGA ohms MIN

物理性能: Mechanical:

1. 插拔力: Connector Mate and Umate Force
Mate force: 3.0kgf (MAX)
Umate force: 0.7kgf (MIN)
2. 端子保持力: Terminal Retention
0.5kgf (MIN)

原材料: Material:

1. 塑胶: Housing:
Hig Temperature Thermoplastics,
UI 94V-0 LCP Black
 2. 端子: Contact: Copper Alloy C2680
 3. 外壳: Shell: H 65
- 电镀: Finish:
1. 端子: Contact: Plated Gold in Mating Area;
Tin On Solder Tails
 2. 外壳: Shell:
Nickel Plating (能过炉自动上锡)



RECOMMENDED PCB LAYOUT
TOLERANCE: ±0.05

表面处理 PLATED	料厚 THICKNESS	材料 MATERIAL

GENERAL TOLERANCES		
DIMENSIONS	II	III
X.01	±0.01	±0.03
X.03	±0.03	±0.08
X.05	±0.05	±0.10
X.10	±0.10	±0.20
X.15	±0.15	±0.30
X.20	±0.20	±0.40
ANGLE	±0.5°	±1.0°
圆次 RND.	A/0	
单位 UNIT	mm	
比例 SCALE	1:1	

品名 TITLE	料号 P.C. NO.	图号 REV. NO.	图名 REV. NAME
HI1000 USB B TYPE 国际全铜标准 (超长, 6mm)	XXXXXXXXXX	USB-MR-D-045	
德艺隆电子有限公司	绘图 DRAWN	审核 CHECKED	批准 APPROVED
页次 PAGE	1/1	路径 FILE NAME	