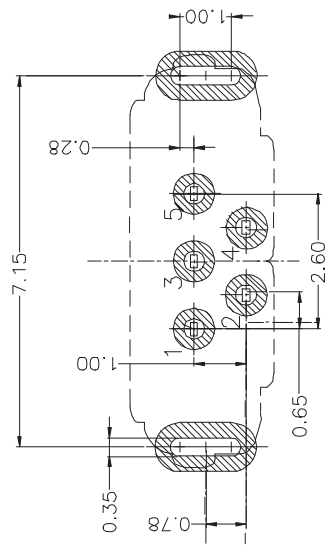
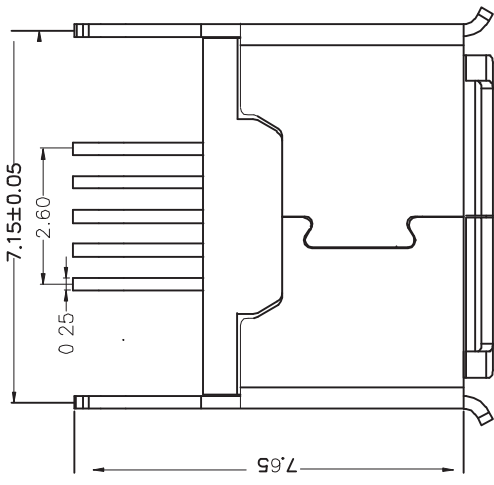
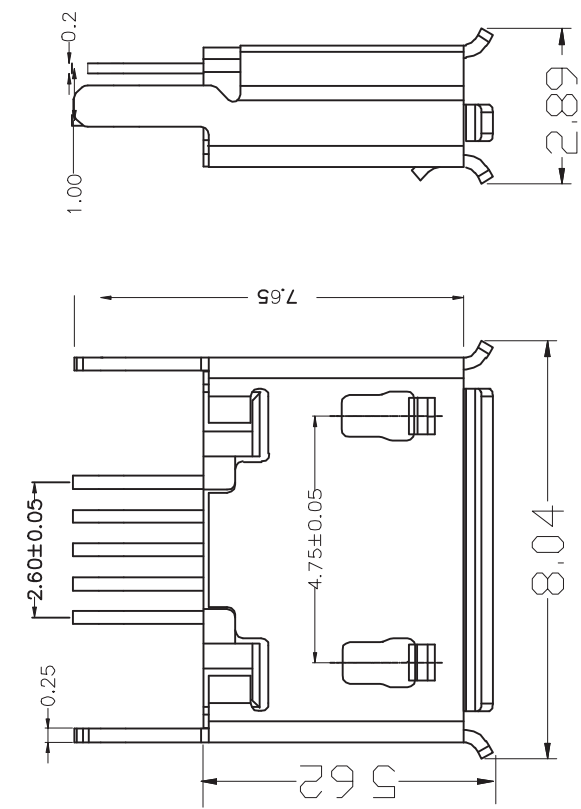
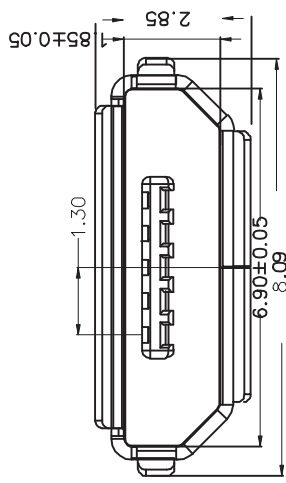


1 2 3 4 5 6 7 8



RECOMMENDED PCB LAYOUT(TOP VIEW)
GENERAL TOLERANCES:±0.05

Specifications:

- 1. Electrical:**
- 1.1 Current Rating:2.0A/contact terminal
 - 1.2 Voltage Rating:30V DC
 - 1.3 Contact Resistance:50 milliohms Max
 - 1.4 Dielectric Withstanding Voltage:
300 V AC AT Sea Level
 - 1.5 Insulation resistance:100MEGA ohms MIN
- 2. Mechanical:**
- 2.1 Connector Mate and Unmate Force
Mate force:3.0kgf (Max)
Unmate force:0.7kgf (MIN)
 - 2.2 Durability:2000 cycles
- 3. Material:**
- 3.1 Housing:
Hing Temperature Thermaplastics,
UI 94V-0 LCP Black
 - 3.2 Contact C5191-EH
 - 3.3 Shell: C2680-EH
- 4. PLATING:**
- 4.1 Contact: Plated Gold in Mating Area;
Tin On Solder Talls
 - 4.2 Shell:Nickel 50u~Min Plated.

REV.	Q'TY	ECN. NO.	APR.	DATE
X0	--	FIRST RELEASE	J0BS	2015.02.16

DONGDUAN DEALON ELECTRONICS CO.,LTD		TITLE: Micro USB 5P/IV/F 直立180° DTP 2.0端子	
APR.	CHK.	P/N: USB-MR-D-028	θ
DRA. Jobs 2015.02.16		PROJ. CUSTOMER DRAWING	REV. X0
DIMENSION IN mm		SCALE: FREE	SHEET 1 / 1
TOLERANCE UNLESS OTHERWISE SPECIFIED			
.X±0.35	.X'±.5'		
.XX±0.25	.X'±.3'		
.XXX±0.15	.XX'±.1'		

1 2 3 4 5 6 7 8

8 7 6 5 4 3 2 1

A B

E F