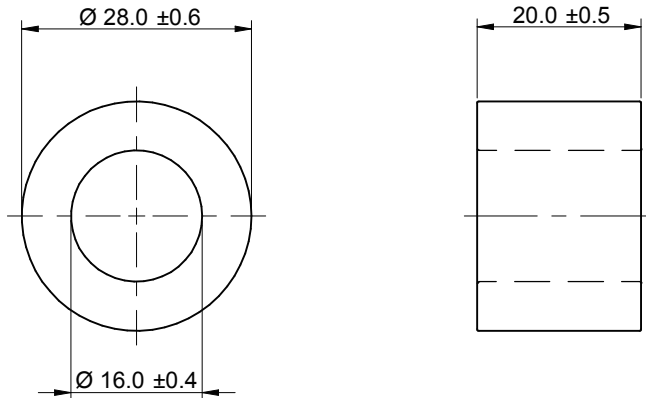


Dimensions: [mm]



Properties	Z @1 turn (Ω)	Z @1 turn (Ω)	Z @2 turn (Ω)	Z @2 turn (Ω)	Cable Ø (mm)
Value	99	200	411	550	≤15.5
Tolerance	±25%.	±25%.	typ.	typ.	
Test Condition	25MHz	100MHz	25MHz	100MHz	


General Information:

Storage Temperature (in original packaging): -20 °C up to +60 °C

Operating Temperature: -25 °C up to +125 °C

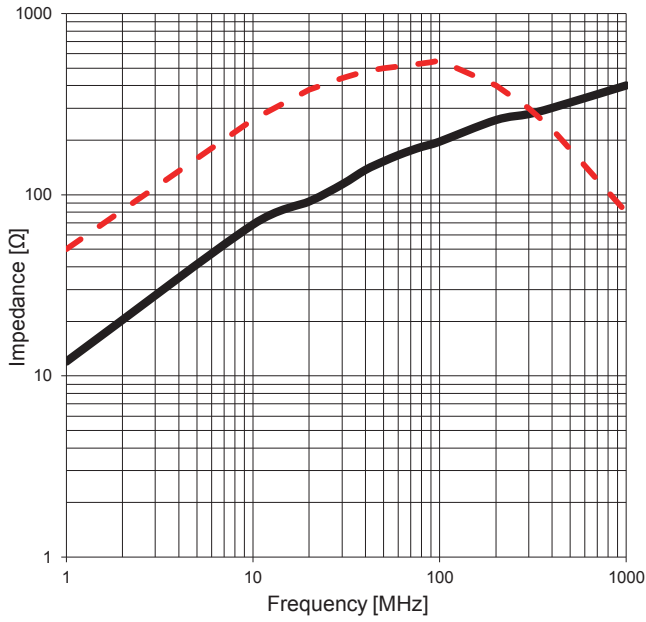
Test Cable: AWG26


Test Cable Length: 165

				UNIT: MM	 KOHER (Shanghai) Electronic Co.,Ltd
				SCALE:	
				SHEET: 1/1	
				APPROVAL: HY	
				SIZE:	DESCRIPTION: EMI Suppression Toroidal Ferrite
A	14-JAN-19	PDF	LBD	PACKING UNIT: 50pcs	PART NO: TFBR162820-15
REV	DATE	FILE	BY		

Typical Electrical Characteristics:

Impedance VS. Frequency Characteristics:



				UNIT: MM	 KOHER (Shanghai) Electronic Co.,Ltd
				SCALE:	
				SHEET: 1/1	
				APPROVAL: HY	
				SIZE:	DESCRIPTION: EMI Suppression Toroidal Ferrite
A	14-JAN-19	PDF	LBD	PACKING UNIT: 50pcs	PART NO: TFBR162820-15
REV	DATE	FILE	BY		