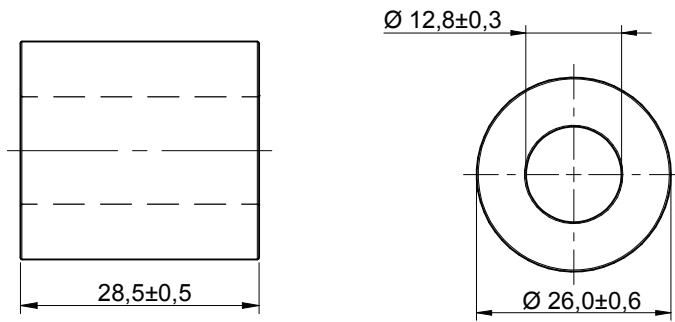
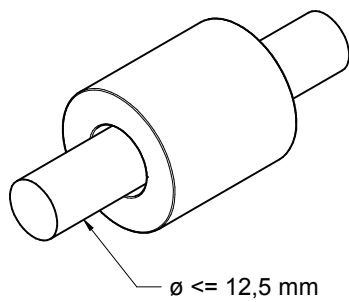


Dimensions: [mm]



Applicable Cable Diameter: [mm]




Electrical Properties:

Properties	Z@1MHz 1Turn (Ω)	Z@10MHz 1Turn (Ω)
Value	90	50
Tolerance	±25%	±25%
Test Condition	1MHz	10MHz

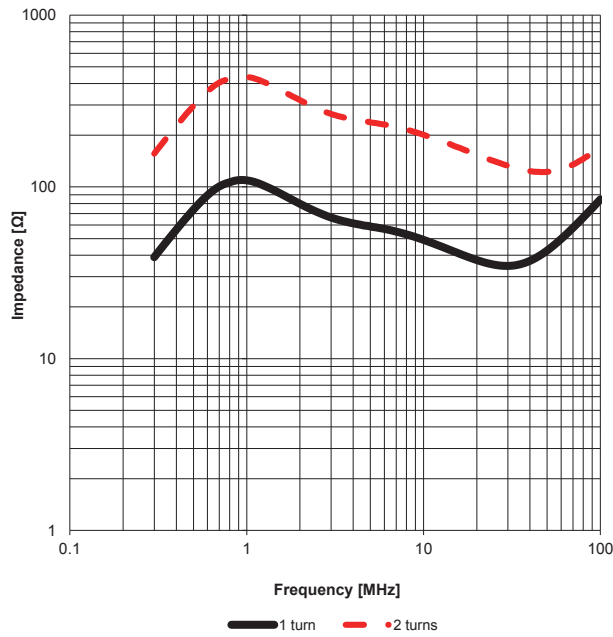
General Information:


Test conditions of Electrical Properties: 20°C, 33%RH
 Operating Temperature: -25°C to +125°C
 Storage Temperature(in original packaging): -20°C to +60°C

				UNIT: MM	 KOHER (Shanghai) Electronic Co.,Ltd
				SCALE:	
				SHEET: 1/2	
				APPROVAL: WSD	
				SIZE:	
A	04-JUL-18	PDF	XL	PACKING UNIT: 88 pcs	DESCRIPTION: Low Frequency Axial Ferrite Bead
REV	DATE	FILE	BY		PART NO: AFBR132729LF-12

Typical Electrical Characteristics:

Impedance VS. Frequency Characteristics:



				UNIT: MM	 KOHER (Shanghai) Electronic Co.,Ltd
				SCALE:	
				SHEET: 2/2	
				APPROVAL: WSD	
				SIZE:	DESCRIPTION: Low Frequency Axial Ferrite Bead
A	04-JUL-18	PDF	XL	PACKING UNIT: 88 pcs	PART NO: AFBR132729LF-12
REV	DATE	FILE	BY		