

SPECIFICATION FOR APPROVAL

CUSTOMER:

CUSTOMER' S PART NO. :

DESCRIPTION:

QUANTITY:

PART NO.: AFBR091628-08

DATE: 2016.06.30

REMARK:

CUSTOMER SIGNATURE

APPROVED BY	DRAWN BY
Tywin Yin	Candice Yang/Hannah Zhou

*Samples meet RoHS and
Lead-free requirement*

KOHER

KOHER (Shanghai) Electronic Co.,Ltd



SPECIFICATION FOR APPROVAL

CUSTOMER		PART NO.	AFBR091628-08
Cus.'s PART NO.		PAGE NO.	1 of 3
DESCRIPTION		DATE	2016.06.30
HISTORY:			
Revision Date	Revision Descriptions	Approved	Revision
2016.06.30	New release	Tywin Yin	1.0



SPECIFICATION FOR APPROVAL

CUSTOMER		PART NO.	AFBR091628-08
Cus.'s PART NO.		PAGE NO	2 of 3
DESCRIPTION		DATE	2016.06.30

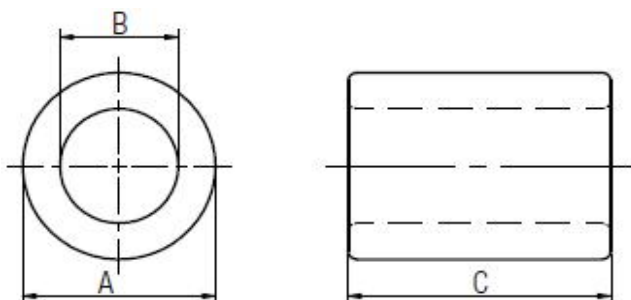
1. Features

- Ferrite core made of NiZn, a material which works in a broadband frequency range
- Many different types and grades of material (NiZn) for the best possible interference suppression
- Operating temperature: $-25\text{ }^{\circ}\text{C}$ up to $+125\text{ }^{\circ}\text{C}$

2. Applications

- Wires, Wire-wrapping cables
- Coaxial cables
- Multiconductor wires
- Cable e.g. of power supplies, data and gage signal lines

3. Dimensions(in mm)





SPECIFICATION FOR APPROVAL

CUSTOMER		PART NO.	AFBR091628-08
Cus.'s PART NO.		PAGE NO.	3 of 3
DESCRIPTION		DATE	2016.06.30

4. Specification

Part Number	A (mm)	B (mm)	C (mm)	Z @ 25 MHz (Ω) 1 Turn	Z @ 100 MHz (Ω) 1 Turn	Z @ 25 MHz (Ω) 2 Turns	Z @ 100 MHz (Ω) 2 Turns	Cable Ø (mm)
AFBR091628-08	16.0	9.0	28.0	133	217	544	705	≤ 8.6

Note:

- Storage Temperature (before assembly): -20°C to +60°C
- Operating Temperature: -25°C to +125°C
- Test conditions of Electrical Properties: 20°C, 33% RH, if not specified differently

5. Typical Performance Curves

AFBR091628-08

