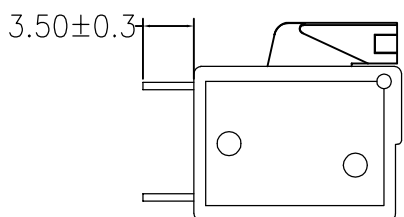
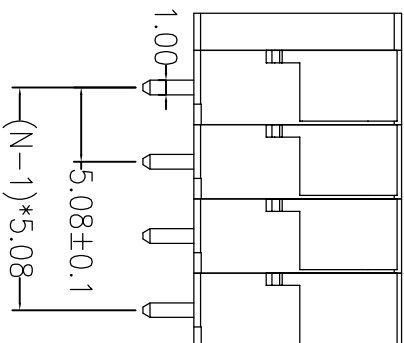
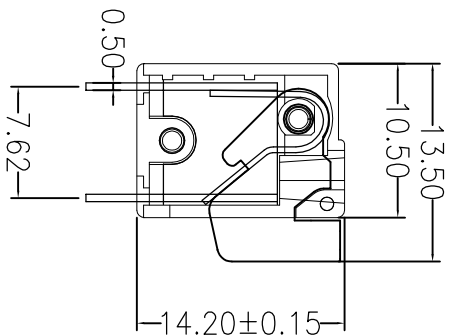
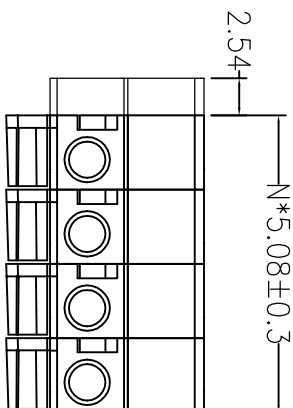
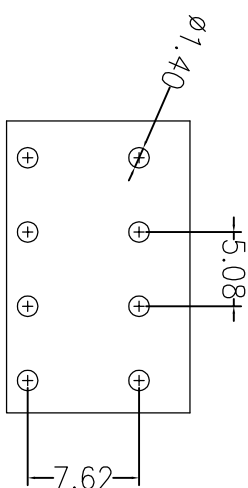


SPECIFICATIONS

Rated(额定参数): 300V,10A
 Dielectric strength(抗电强度): AC2000V/1 Minute
 Insulation Resistance(绝缘电阻):1000MΩ Min
 Contact Resistance(接触电阻):20mΩ Max
 Wire Range(线径):1.6~2.2AWG
 Strip length(剥线长度):10mm
 Temp. range(操作温度):-40°C~+105°C
 MAX Soldering(瞬时温度):+250°C,5s

Housing Material(塑件): PA66 (UL94 V-0)
 Contact(端子): Brass, Tin plating(黄铜镀锡)
 Reed(弹片): Stainless seel (不锈钢)

Recommended P. C. B Layout (Top Side)



Ordering Information

JL 142V - 508 XX G X 1

Pitch 508=5.08PH
 No. of pins 1P-XXP
 Housing Color
 B=Black
 G=Green
 U=Blue
 R=Red
 W=White
 Y=Yellow
 O=Orange
 E=Grey
 Packing
 0=Pe bag
 T=Tube
 A=Troy

A	REV	DATE	MODIFICATION DESCRIPTION	CHANGE	DIM	TOL	APPROVE	OPERATION		DRAW	BEN	17.01.04	SCALE	FIT	PART NO.		A
	A0	2017.01.04	NEW DRAWING		Angle	±3°		CHECK	X:XX	±0.20			UNIT	mm	SHEET	1/1	
B	1	2	3	4	5	6	7	8	9	SHENZHEN JINLING ELECTRONIC CO.,LTD		TITLE:		5.08mm PCB SPRING TERMINAL BOLCKS			

JINLING 深圳市锦凌电子有限公司
 SHENZHEN JINLING ELECTRONIC CO.,LTD
 Tel: 86-755-2997-5806/5802 Fax: 86-755-2997-5992