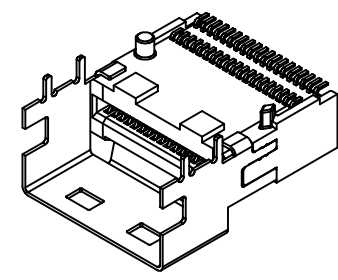
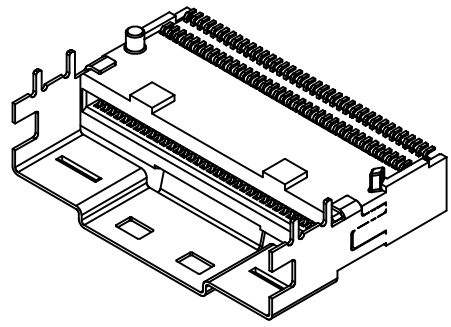


REV.	ECN. No.	APPD.
A	BC-16-0051054	Nick Lin

- NOTES: UNLESS OTHERWISE SPECIFIED
- DIMENSIONS SHALL BE INTERPRETED PER ASME Y14.5-2009.
 - THE SPEC OF THE PRODUCT IS SHOWN ON DRAWING 303-0300-3299
 - THE MATERIALS OF THE PRODUCT IS SHOWN ON DRAWING 303-0500-3299
 - DATE CODE: "****" REFER TO FOXCONN'S DOC. "SQ-3B0-070".
 - THE "LF" LOGO IS LOCATED APPROX. AS SHOWN,
 - HARMFUL MATERIAL CONTROL PLEASE FOLLOW FOXCONN'S DOC. "EPI12".
 - THE CONCENTRATIONS OF Br&Cl CAN SATISFY THE REQUIREMENT OF HALOGEN-FREE IN DOCUMENT "EPI12".
 - PLEASE CONTACT FOXCONN SALES REPRESENTATIVE TO VERIFY PRODUCT DETAILS & AVAILABILITY.
 - PRODUCT NO. MATRIX : LD L * ** * - * 4 * * * - * *



SAS CONNECTOR
 SLIMLINE SAS
 MATING END
 1=PLUG
 2=RECEPTACLE
 NO. OF POS.
 38=38 POS.
 74=74 POS.
 PLATING CODE
 1 = GOLD FLASH
 3 = 30u" GOLD PLATING
 6 = 10u" GOLD PLATING
 7 = 15u" GOLD PLATING
 Y = 5~10u" GOLD PLATING

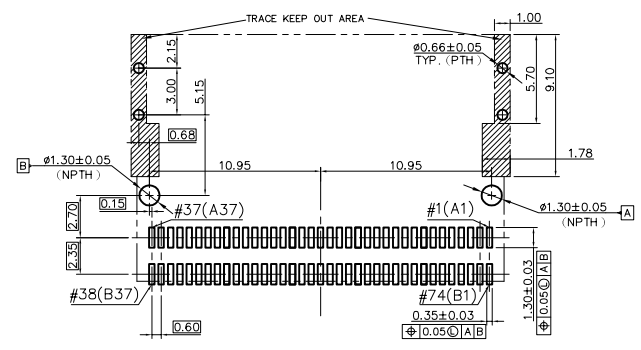
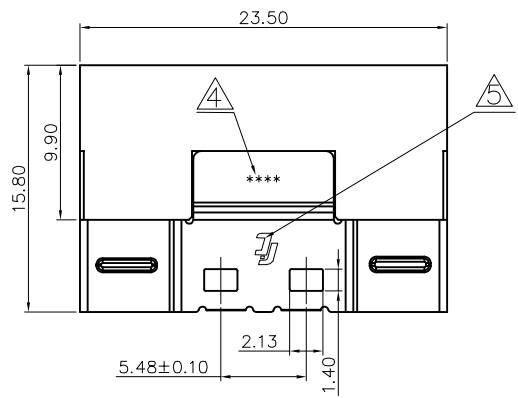
F=LEAD FREE
 H=HALOGEN FREE & LEAD FREE
 PACKAGE CODE: 4= SOFT TRAY
 7= TAPE REEL

Extension Code: 0~9
 0=SHELL SMT TYPE
 2=SHELL LENGTH 2.20mm
 3=SHELL LENGTH 3.00mm
 4=SHELL LENGTH 4.20mm
 5=SHELL LENGTH 1.50mm

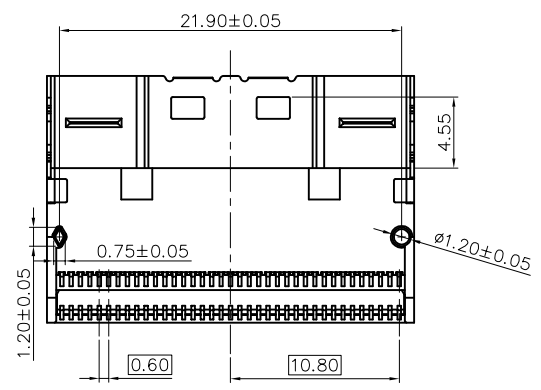
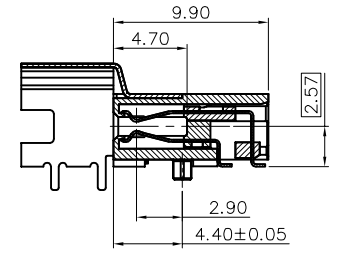
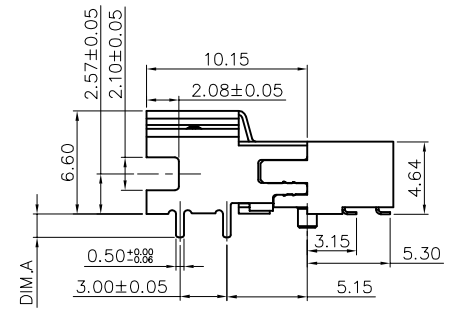
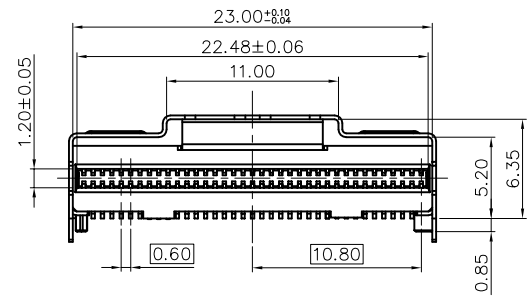
APPLICATIONS: N=INTERNAL; E=EXTERNAL
 TRANSMISSION SPEED
 4=24GB/S; 5=48GB/S
 MOUNTING END TYPE
 0=NONE
 1=SMT R/A
 2=SMT VERTICAL
 3=RETENTION FIT R/A
 4=RETENTION FIT VERTICAL

X.±	X.*± 2°	UNITS mm	NAME(INTENDED USE) Slimline SAS	FOXCONN® FOXCONN INTERCONNECT TECHNOLOGY LIMITED
.X± 0.15	.X*±	MAT'L	PART NO.(INTENDED USE) LDL2*-14E*-*H	
.XX± 0.10	.XX*±	FINISH	APPD: Nick Lin	CLASS: <input type="checkbox"/> CONFIDENTIAL <input type="checkbox"/> SECRET <input checked="" type="checkbox"/> GENERAL
.XXX±	.XXX*±		Q'TY	CHKD: Yusan Hsiao
THESE DRAWINGS AND SPECIFICATIONS ARE THE PROPERTY OF FOXCONN INTERCONNECT TECHNOLOGY LIMITED AND SHALL NOT BE REPRODUCED, COPIED OR USED IN ANY MANNER WITHOUT THE PRIOR WRITTEN CONSENT OF FOXCONN INTERCONNECT TECHNOLOGY LIMITED.			DRAW: Garrick Cheng 12/12'16	DWG NO.: 303-0000-3299

REV.	ECN.	No.	APPD.
------	------	-----	-------



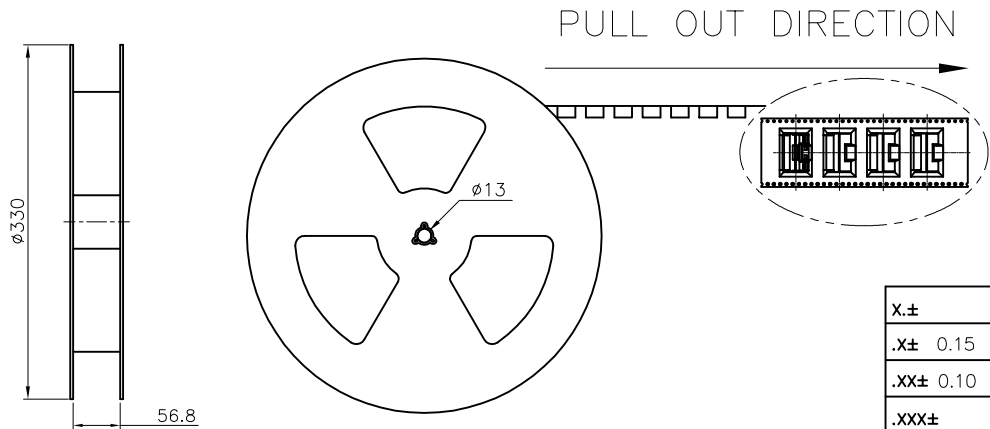
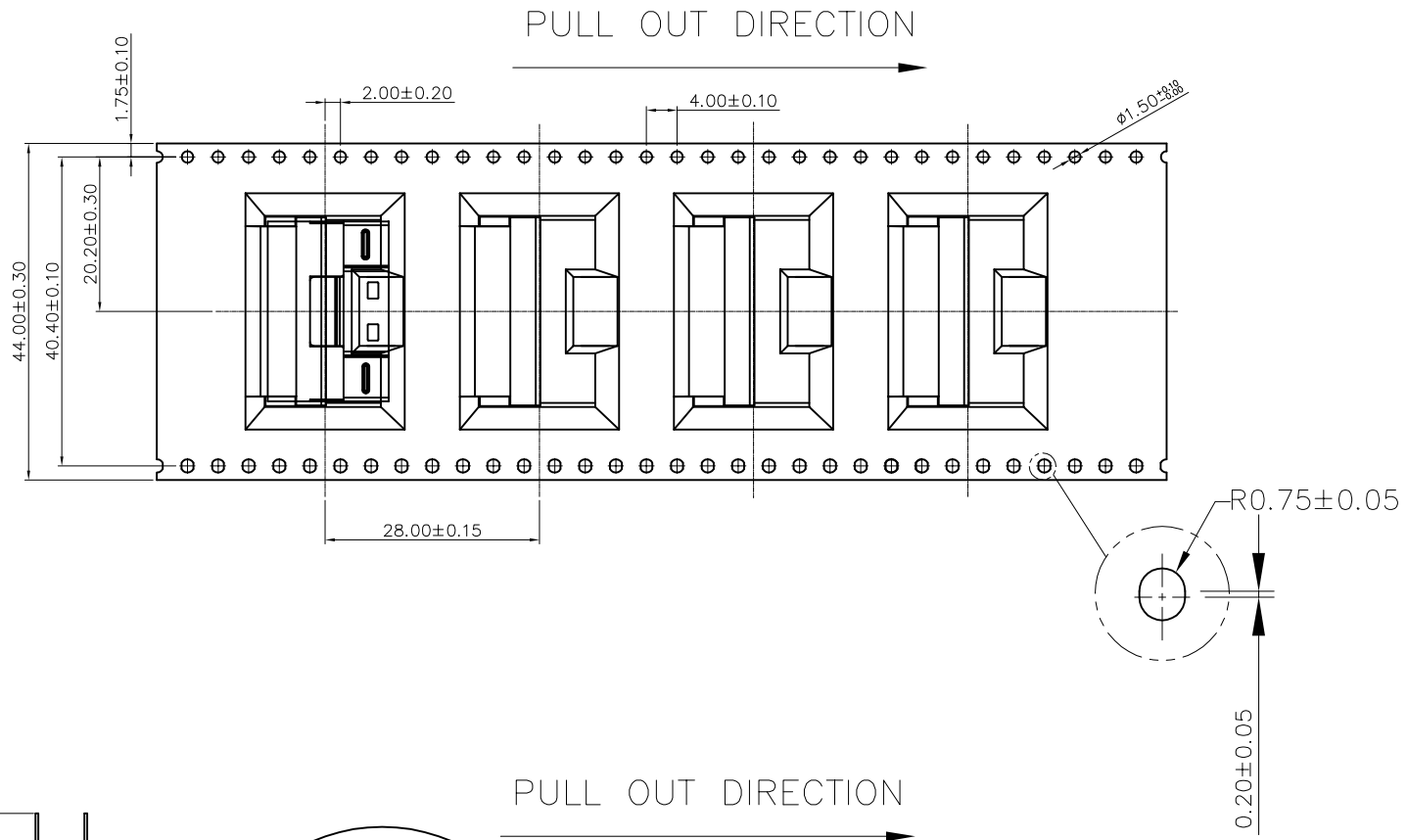
RECOMMEND PCB LAYOUT



LDL274*-14E40-*H	4.20
LDL274*-14E30-*H	3.00
LDL274*-14E20-*H	2.20
LDL274*-14E50-*H	1.50
P/N	DIM.A

X.±	X.*± 2°	UNITS	mm	NAME(INTENDED USE)	FOXCONN FOXCONN INTERCONNECT TECHNOLOGY LIMITED
.X± 0.15	.X*±	MAT'L		Slimline SAS	
.XX± 0.10	.XX*±			PART NO.(INTENDED USE)	CLASS: <input type="checkbox"/> CONFIDENTIAL <input type="checkbox"/> SECRET <input checked="" type="checkbox"/> GENERAL
.XXX±	.XXX*±	FINISH		LDL2*-14E*-*H	TITLE: CUSTOMER DRAWING
THESE DRAWINGS AND SPECIFICATIONS ARE THE PROPERTY OF FOXCONN INTERCONNECT TECHNOLOGY LIMITED AND SHALL NOT BE REPRODUCED, COPIED OR USED IN ANY MANNER WITHOUT THE PRIOR WRITTEN CONSENT OF FOXCONN INTERCONNECT TECHNOLOGY LIMITED.				APPD: Nick Lin	DWG NO.: 303-0000-3299
Q'TY				CHKD: Yusan Hsiao	SCALE SHEET REV. 2:1 2/5 A
				DRAW: Garrick Cheng 12/12'16	

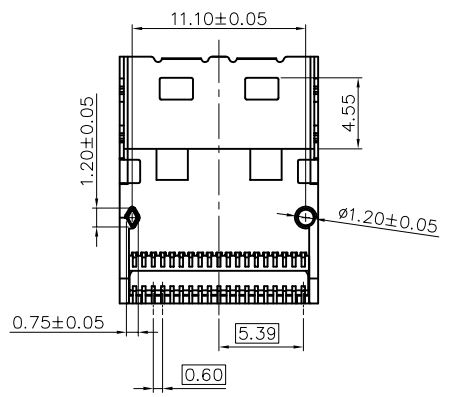
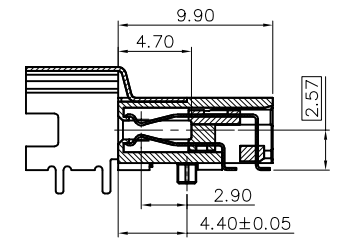
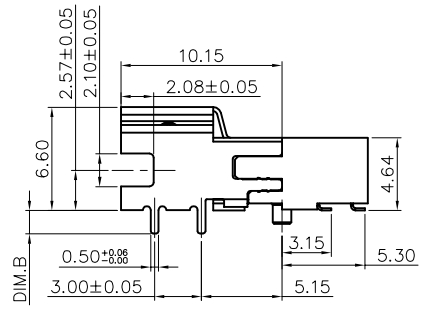
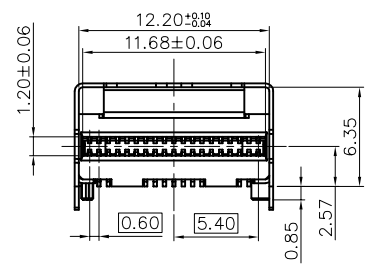
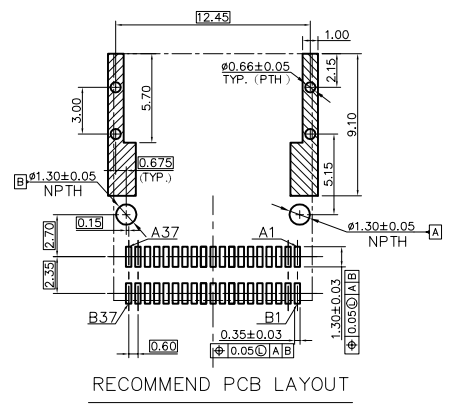
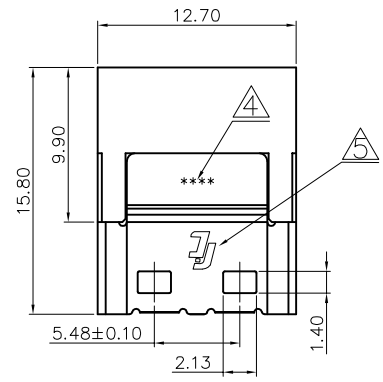
REV.	ECN. No.	APPD.



LDL274*-14E40-*H	200	1000
LDL274*-14E30-*H	200	1000
LDL274*-14E20-*H	200	1000
LDL274*-14E50-*H	200	1000
P/N	PCS/REEL	PCS/BOX

X.±	X.*± 2°	UNITS mm	NAME(INTENDED USE) Slimline SAS	FOXCONN FOXCONN INTERCONNECT TECHNOLOGY LIMITED
.X± 0.15	.X*±	MAT'L	PART NO.(INTENDED USE) LDL2*-14E*-*H	
.XX± 0.10	.XX*±	FINISH	APPD: Nick Lin	CLASS: <input type="checkbox"/> CONFIDENTIAL <input type="checkbox"/> SECRET <input checked="" type="checkbox"/> GENERAL
.XXX±	.XXX*±	Q'TY	CHKD: Yusan Hsiao	TITLE: CUSTOMER DRAWING
THESE DRAWINGS AND SPECIFICATIONS ARE THE PROPERTY OF FOXCONN INTERCONNECT TECHNOLOGY LIMITED AND SHALL NOT BE REPRODUCED, COPIED OR USED IN ANY MANNER WITHOUT THE PRIOR WRITTEN CONSENT OF FOXCONN INTERCONNECT TECHNOLOGY LIMITED.			DRAW: Garrick Cheng 12/12'16	DWG NO.: 303-0000-3299
				SCALE SHEET REV. 2:1 3/5 A

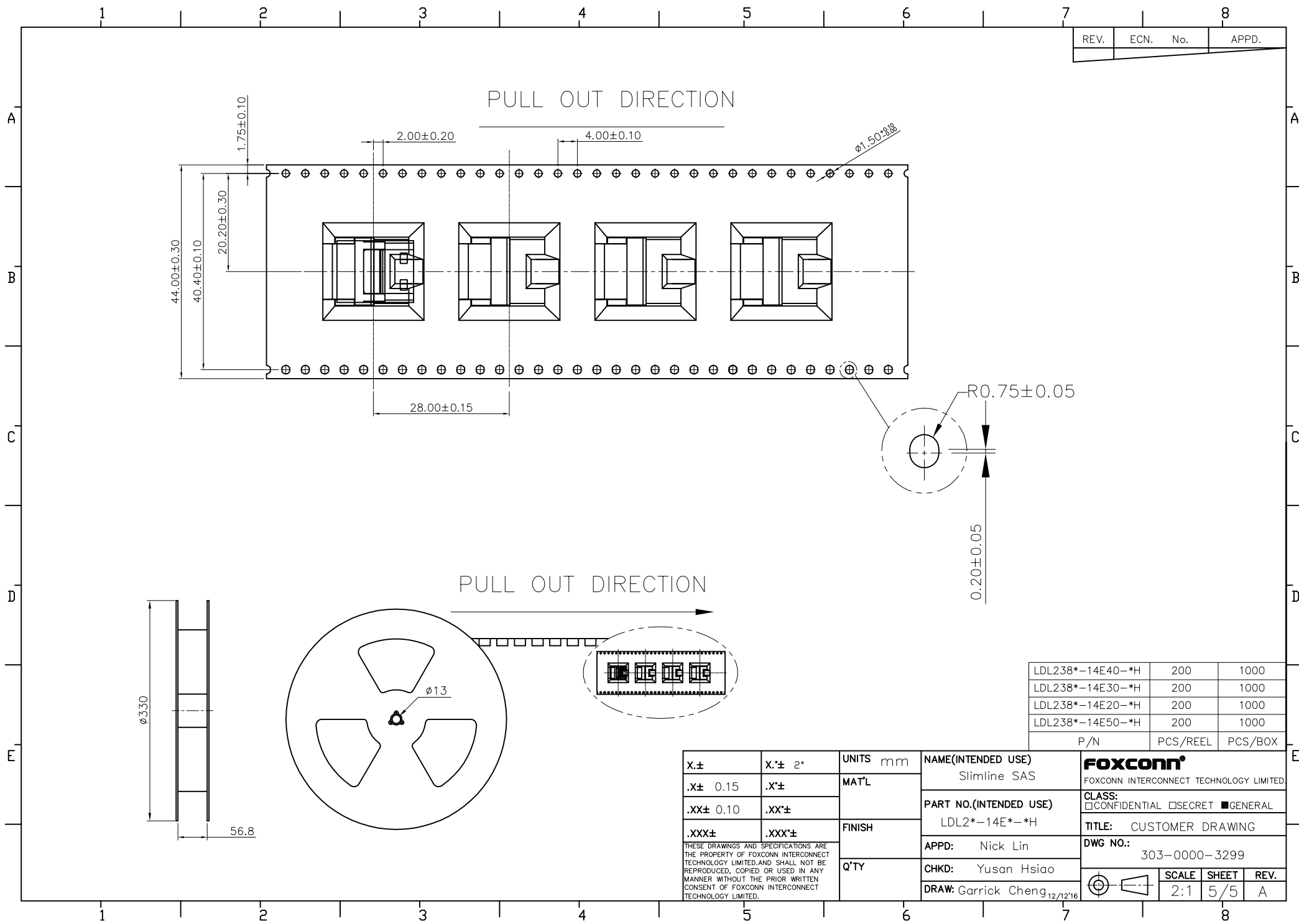
REV.	ECN.	No.	APPD.
------	------	-----	-------



LDL238*-14E40-*H	4.20
LDL238*-14E30-*H	3.00
LDL238*-14E20-*H	2.20
LDL238*-14E50-*H	1.50
P/N	DIM.B

X.±	X.*± 2°	UNITS	mm	NAME(INTENDED USE)	FOXCONN® FOXCONN INTERCONNECT TECHNOLOGY LIMITED						
.X± 0.15	.X*±	MAT'L		Slimline SAS							
.XX± 0.10	.XX*±			PART NO.(INTENDED USE)	CLASS: <input type="checkbox"/> CONFIDENTIAL <input type="checkbox"/> SECRET <input checked="" type="checkbox"/> GENERAL						
.XXX±	.XXX*±	FINISH		LDL2*-14E*-*H	TITLE: CUSTOMER DRAWING						
THESE DRAWINGS AND SPECIFICATIONS ARE THE PROPERTY OF FOXCONN INTERCONNECT TECHNOLOGY LIMITED AND SHALL NOT BE REPRODUCED, COPIED OR USED IN ANY MANNER WITHOUT THE PRIOR WRITTEN CONSENT OF FOXCONN INTERCONNECT TECHNOLOGY LIMITED.				APPD: Nick Lin	DWG NO.:						
Q'TY				CHKD: Yusan Hsiao	303-0000-3299						
				DRAW: Garrick Cheng 12/12'16	<table border="1"> <tr> <td>SCALE</td> <td>SHEET</td> <td>REV.</td> </tr> <tr> <td>2:1</td> <td>4/5</td> <td>A</td> </tr> </table>	SCALE	SHEET	REV.	2:1	4/5	A
SCALE	SHEET	REV.									
2:1	4/5	A									

REV.	ECN. No.	APPD.



LDL238*-14E40-*H	200	1000
LDL238*-14E30-*H	200	1000
LDL238*-14E20-*H	200	1000
LDL238*-14E50-*H	200	1000
P/N	PCS/REEL	PCS/BOX

X.±	X.± 2°	UNITS mm	NAME(INTENDED USE) Slimline SAS	FOXCONN FOXCONN INTERCONNECT TECHNOLOGY LIMITED
.X± 0.15	.X*±	MAT'L	PART NO.(INTENDED USE) LDL2*-14E*-*H	
.XX± 0.10	.XX*±	FINISH	APPD: Nick Lin	CLASS: <input type="checkbox"/> CONFIDENTIAL <input type="checkbox"/> SECRET <input checked="" type="checkbox"/> GENERAL
.XXX±	.XXX*±	Q'TY	CHKD: Yusan Hsiao	TITLE: CUSTOMER DRAWING
THESE DRAWINGS AND SPECIFICATIONS ARE THE PROPERTY OF FOXCONN INTERCONNECT TECHNOLOGY LIMITED AND SHALL NOT BE REPRODUCED, COPIED OR USED IN ANY MANNER WITHOUT THE PRIOR WRITTEN CONSENT OF FOXCONN INTERCONNECT TECHNOLOGY LIMITED.			DRAW: Garrick Cheng 12/12'16	DWG NO.: 303-0000-3299
				SCALE SHEET REV. 2:1 5/5 A