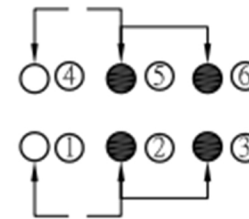
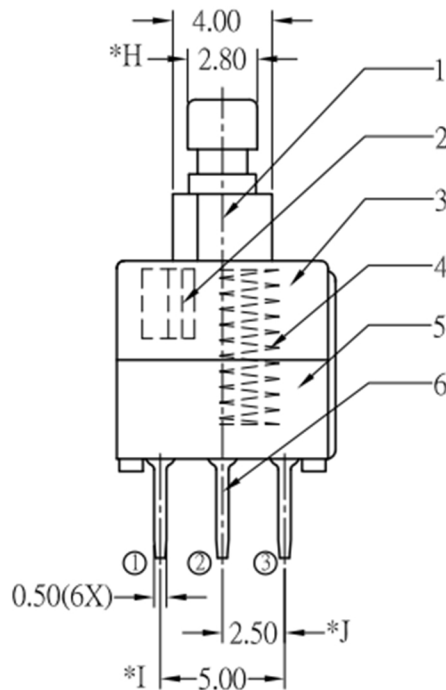
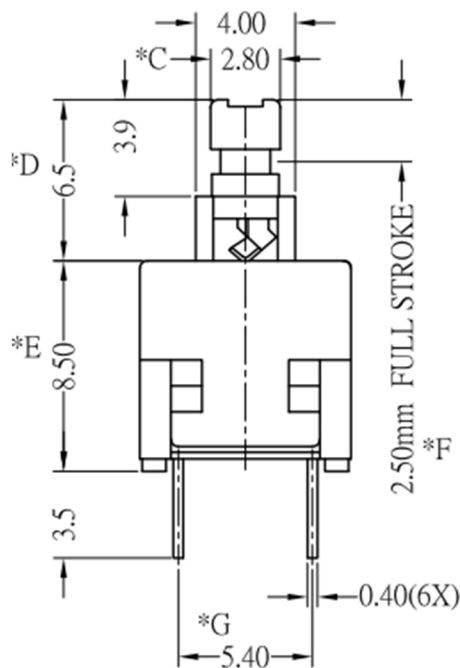
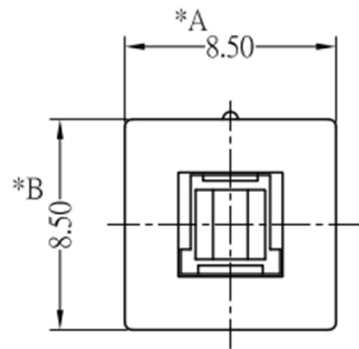


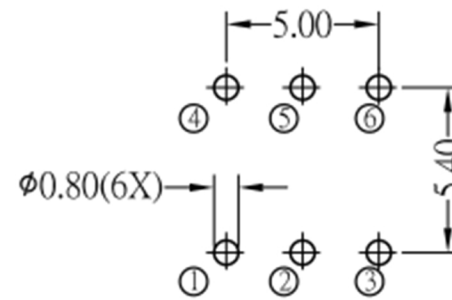
RoHS

CAD GENERATED DRAWING. DON'T CHANGE BY HAND.

REV.	ECN. NO.	APPD.



SCHEMATIC



P.C.B.LAYOUT

* CRITICAL DIMENSION

7				
6	TERMINAL	6	C2680R-EH	Ag COATING
5	CASE	1	PBT	BLACK
4	SPRING	1	SUS	NATURAL
3	COVER	1	POM	BLACK
2	CONTACT	2	C5210R-EH	Ag CLAD
1	KNOB	1	POM	YELLOW/BLUE
NO.	PART NAME	Q' TY	MATERIAL	FINSH/COLOR

X.	±0.50	X.°	± 2°
.X	±0.30	.X°	± 1°
.XX	±0.10	.XX°	± 0.5°
.XXX	± 0.05		
THESE DRAWINGS AND SPECIFICATIONS ARE THE PROPERTY OF YIYUAN TECHNOLOGY CO.,LTD AND SHALL NOT BE REPRODUCED, COPIED OR USED IN ANY MANNER WITHOUT THE PRIOR WRITTEN CONSENT OF YIYUAN TECHNOLOGY CO.,LTD			

UNITS	mm
MAT'L	/
FINISH	/
Q' TY	/

yi YUAN	深圳市怡远科技有限公司 SHENZHEN YIYUAN TECHNOLOGY CO., LTD	
PART NO. YTSPS-22E85NL2	TITLE: TACTILE SWITCH	
APPD: ROGER	DWG NO. : YTSPS-22E85NL2	
CHKD: ROC		
DR: BILLY WANG 2020/08/21		
	SCALE	SHEET
	1/1	1/1
		REV. A1