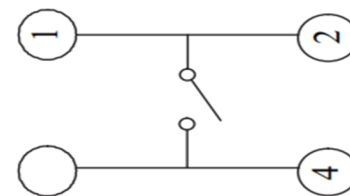
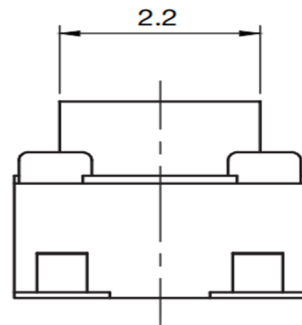
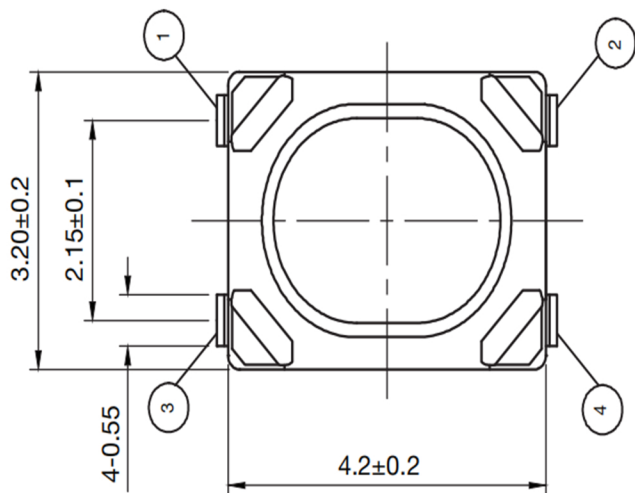


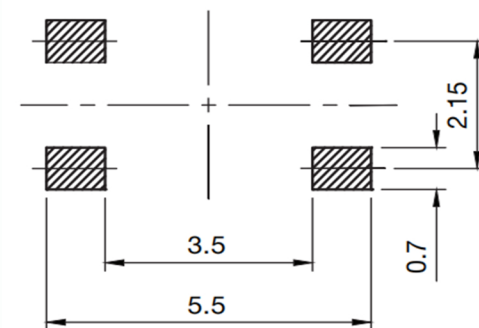
**RoHS**

CAD GENERATED DRAWING. DON' T CHANGE BY HAND.

REV.	ECN. NO.	APPD.



**CIRCUIT DIAGRAM**



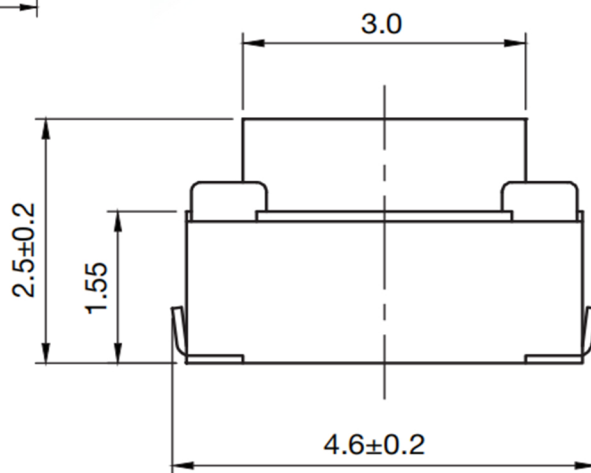
**P.C.B LAND DIMENSION**

Travel:  
0.20mm ± 0.1mm

Packaging:  
Switches in reels of 3,000 pieces.  
Dimensions of reels according to EIA 481B  
External diameter 330mm

**Specification**

Maximum Voltage	12VDC
Maximum Current DC	50mA
Dielectric Strength	250 VA C(1mn)
Contact Resistance	≤100mΩ
Insulation Resistance	≥100MΩ
Operating Temperature	-30°C to 80°C
Storage Temperature	-40° C to 85° C
Bounce Time	≤10 ms



**Mechanical**

	Operating force gf	Operating force Life
YTS815 SJM	180±50	100, 000
YTS815 SJK	250±50	100, 000
YTS815 SJG	400±100	100, 000

X.	±0.50	X.°	± 2°	UNITS	mm
.X	±0.30	.X°	± 1°		
.XX	±0.10	.XX°	± 0.5°	MAT'L	/
.XXX	± 0.05				

THESE DRAWINGS AND SPECIFICATIONS ARE THE PROPERTY OF YIYUAN TECHNOLOGY CO.,LTD AND SHALL NOT BE REPRODUCED, COPIED OR USED IN ANY MANNER WITHOUT THE PRIOR WRITTEN CONSENT OF YIYUAN TECHNOLOGY CO.,LTD

FINISH	/
Q'TY	/



深圳市怡远科技有限公司  
SHENZHEN YIYUAN TECHNOLOGY CO., LTD

PART NO.	YTS 815
APPD:	ROGER
CHKD:	ROC
DR:	BILLY WANG 2020/08/21

TITLE:	TACTILE SWITCH	
DWG NO.:	YTS 815	
SCALE	SHEET	REV.
1/1	1/1	A1