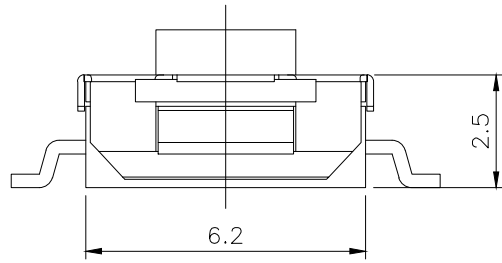
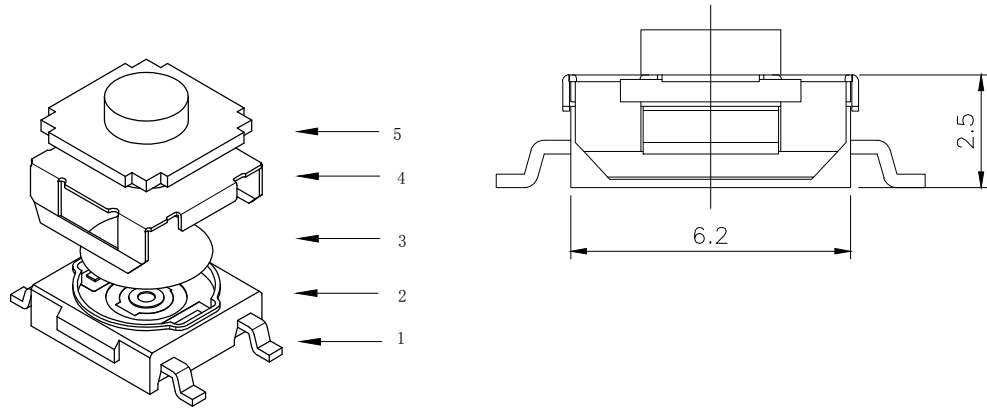


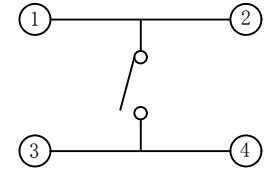
RoHS

CAD GENERATED DRAWING. DON'T CHANGE BY HAND.

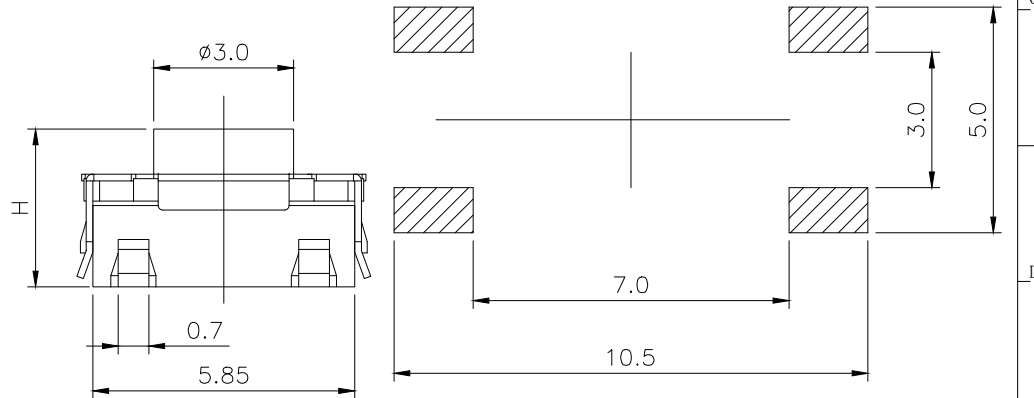
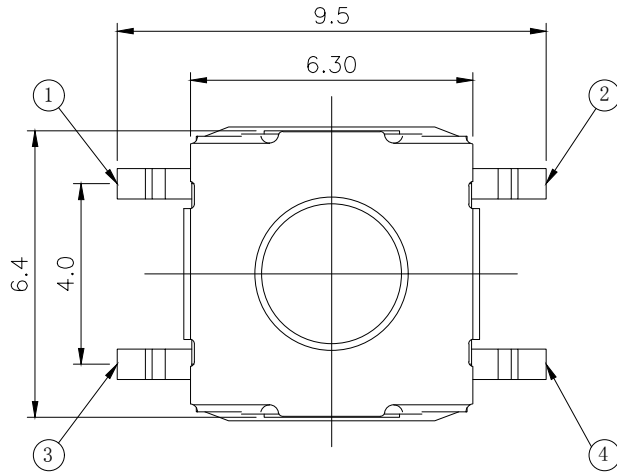
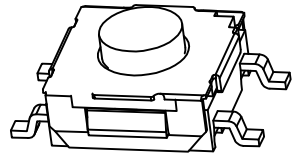
REV.	ECN. NO.	APPD.



H			
A	3.1	B	3.5
C	4.3	D	4.5
E	5.0		



CIRCUIT DIAGRAM



PCB WELDING DRAWING

Specification

Rate voltage,current	50mA DC12V
Contact resistance	≤100mΩ
Operating force	160±50gf
Travel	0.35±0.15mm
Insulated resistance	≥100MΩ
Dielectric strength	≥250VAC/1min
Life cycle	≥100000次

5	Button	1	Silica gel	Blue
4	Cover	1	Stainless steel	Cleaning
3	Shrapnel	1	Stainless steel	Silver
2	Housing	1	PPA	Black
1	Cards	1	Brass	Silver
ITEM	PART NAME	Q' TY	MATERIAL	FINSH/COLOR

X.	±0.50	X.°	±2°
.X	±0.30	.X°	±1°
.XX	±0.10	.XX°	±0.5°
.XXX	±0.05		

THESE DRAWINGS AND SPECIFICATIONS ARE THE PROPERTY OF YIYUAN TECHNOLOGY CO.,LTD AND SHALL NOT BE REPRODUCED, COPIED OR USED IN ANY MANNER WITHOUT THE PRIOR WRITTEN CONSENT OF YIYUAN TECHNOLOGY CO.,LTD

UNITS	mm	深圳市怡远科技有限公司 SHENZHEN YIYUAN TECHNOLOGY CO.,LTD						
MAT'L								
FINISH		PART NO. YTS-E006-1H						
Q' TY		APPD: ROGER CHKD: ROC DR: BILLY WANG 2020/08/21						
		TITLE: TACTILE SWITCH						
		DWG NO. : YTS-E006-1H						
		<table border="1"> <tr> <th>SCALE</th> <th>SHEET</th> <th>REV.</th> </tr> <tr> <td>1/1</td> <td>1/1</td> <td>A1</td> </tr> </table>	SCALE	SHEET	REV.	1/1	1/1	A1
SCALE	SHEET	REV.						
1/1	1/1	A1						