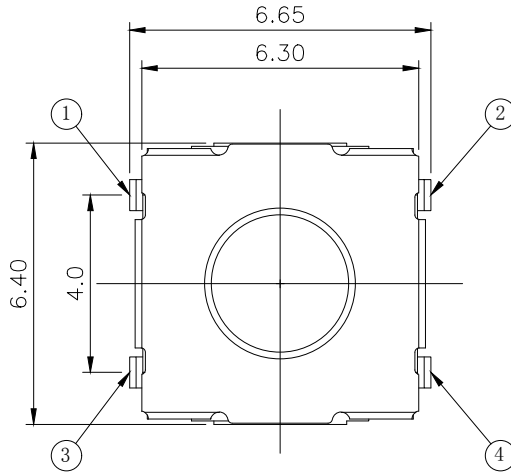
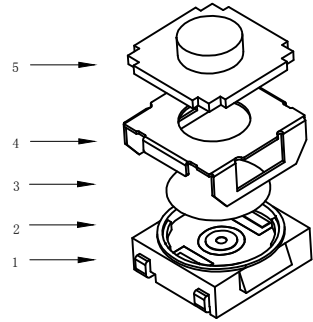


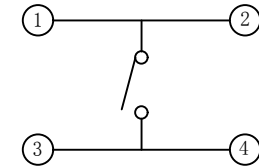
# RoHS

CAD GENERATED DRAWING. DON'T CHANGE BY HAND.

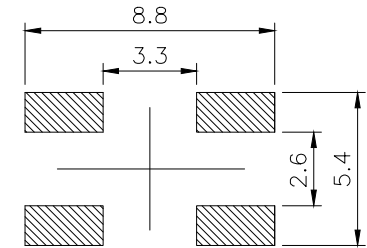
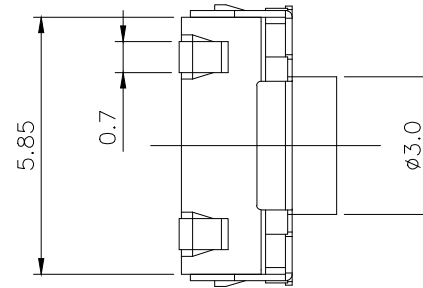
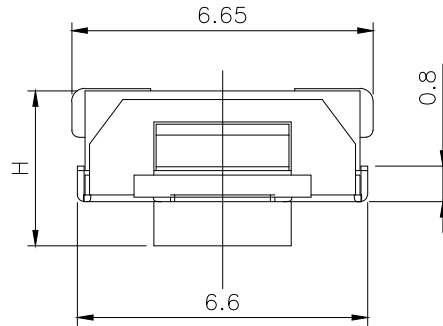
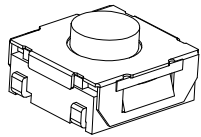
REV.	ECN. NO.	APPD.



H			
A	2.5	B	3.1
C	3.5	D	4.3
E	4.5	F	5.0



CIRCUIT DIAGRAM



PCB WELDING DRAWING

### Specification

Rate voltage,current	50mA DC12V
Contact resistance	$\leq 100m\Omega$
Operating force	$180 \pm 50gf$
Travel	$0.20 \pm 0.10mm$
Insulated resistance	$\geq 100M\Omega$
Dielectric strength	$\geq 250VAC/1min$
Life cycle	$\geq 100000$ 次

ITEM	PART NAME	Q' TY	MATERIAL	FINSH/COLOR
5	Button	1	Silica gel	White
4	Cover	1	Stainless steel	Cleaning
3	Shrapnel	1	Stainless steel	Silver
2	Housing	1	PPA	Black
1	Cards	1	Brass	Silver

X.	$\pm 0.50$	X.°	$\pm 2^\circ$	UNITS mm
.X	$\pm 0.30$	.X°	$\pm 1^\circ$	
.XX	$\pm 0.10$	.XX°	$\pm 0.5^\circ$	MAT'L /
.XXX	$\pm 0.05$			
THESE DRAWINGS AND SPECIFICATIONS ARE THE PROPERTY OF YIYUAN TECHNOLOGY CO.,LTD AND SHALL NOT BE REPRODUCED, COPIED OR USED IN ANY MANNER WITHOUT THE PRIOR WRITTEN CONSENT OF YIYUAN TECHNOLOGY CO.,LTD				FINISH /
				Q' TY /

	<b>深圳市怡远科技有限公司</b> SHENZHEN YIYUAN TECHNOLOGY CO.,LTD							
	PART NO. <b>YTS-E005-2H</b>	TITLE: <b>TACTILE SWITCH</b>						
APPD: ROGER	DWG NO. : <b>YTS-E005-2H</b>							
CHKD: ROC								
DR: BILLY WANG 2020/08/21		<table border="1"> <tr> <th>SCALE</th> <th>SHEET</th> <th>REV.</th> </tr> <tr> <td>1/1</td> <td>1/1</td> <td>A1</td> </tr> </table>	SCALE	SHEET	REV.	1/1	1/1	A1
SCALE	SHEET	REV.						
1/1	1/1	A1						