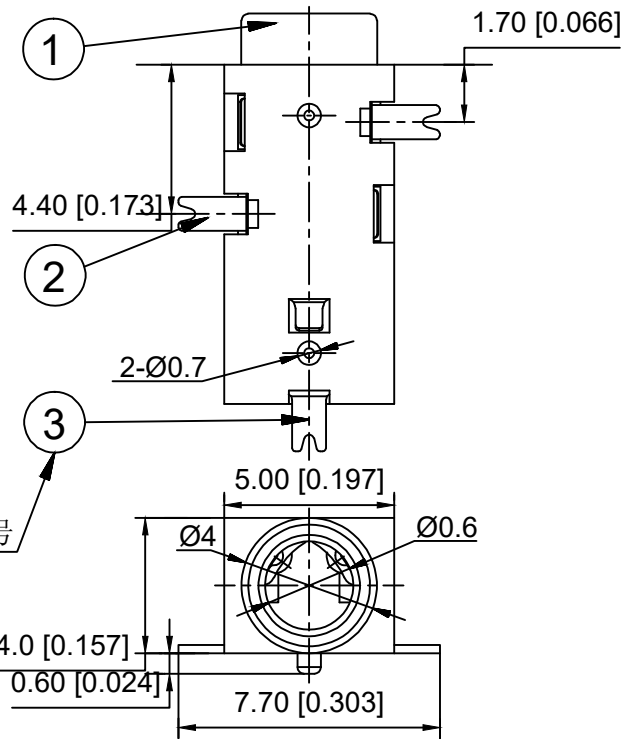
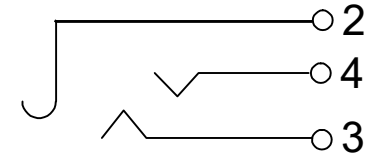
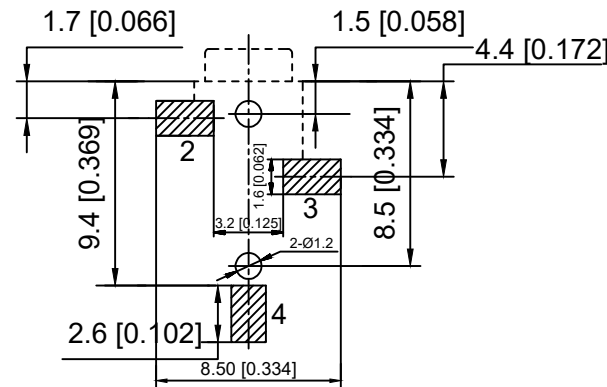


### 电路原理图



零件序号

### PCB板位置尺寸 TOP VIEW



Technical characteristics  
技术特征  
Service condition: -30 ~70°  
使用条件: -30 ~70°  
Rated load: DC30V 0.5A  
额定负载: DC30V 0.5A  
Contact resistance: ≤0.03 Ω  
接触电阻: ≤0.03 Ω  
Insulation resistance: ≥100MΩ DC250V  
绝缘电阻: ≥100MΩ DC250V  
Pressure: AC500V(50HZ)/min  
压力: AC 500v(50HZ)/分钟  
Insertion and pulling force: 3~20N  
插拔力: 3~20N  
Life expectancy: 5000  
预期寿命: 5000

	MATERIAL	PLATING
terminal 1	Phosphor Bronze	tin
terminal 2	Phosphor Bronze	tin
terminal 3	Phosphor Bronze	tin
plastic	PPA	

						ANGLAR	±5°	<b>XKLB</b>	DSND		SCALE: N/A	MODEL TYPE: 3.5 PHONE JACK		
Δx					L ≤ 4	±0.2	DWN			VIEW:		PART NO.: PJ-326		
Δx					4 < L ≤ 16	±0.3	CHKD			UNIT: mm/in		DWG NO.: X-PJ-326		
Δx					16 < L ≤ 63	±0.4	APPD			SIZE: A4				
MARK	DESCRIPTION	DATE	REVISED	APPROVED	L > 63	±0.5	UNSPECIFIED TOLERANCES		XKB INDUSTRIAL PRECISION CO., LIMITED			WEIGHT	SHEET	REVISION
www.helloxkb.com www.helloxkb.cn www.xk-dg.cn												1/1	A0	