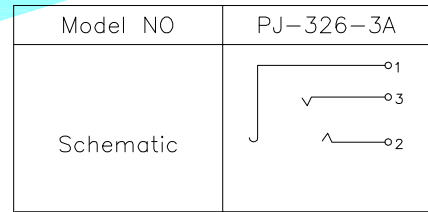
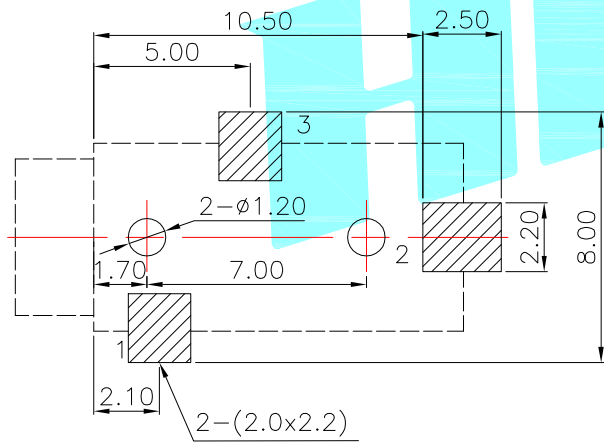


P.C.B Layout (copper-sided view)



Rating:0.5A 30V DC
 Contact Resistance:100 mΩ Max.
 Operating temperature:-20℃~70℃
 Operating force:3-20N
 Operating Life:5,000cycles

②	Terminal	3	Phosphor bronze	Au Plating				
①	Housing	1	Nylon	Black				
ITEM	PART NAME	TER'NO.	QTY.	MATERIAL	FINISHING	REMARK		
APPROVALS		DATE		ELECTRONICS CO.,LTD				
DRAWN	LIUCAN	2021.12.3						
CHECKED							TITLE:	PHONE JACKES
APPROVALS							PART NO.	PJ-326-3A
TOLERANCES ARE		30~以上	±0.30	ANGLE	UNIT: mm	SCALE: 1:1		
		10~30	±0.20					
		5~10	±0.15					
		~ 5	±0.10					
			±2'	DRAWING NO.		SHEET 1 OF 1		

ECN NO.	REV.	DATE.	DESCRIPTION.	CHANGE.	CHECK.	APPRO.
	A		NEW			