

KSC XA Series Soft Sound Tact Switch

Features/Benefits

- New soft sound
- Extended cage
- IP67
- Long life
- J terminations
- Tape & reel

Typical Applications

- Trunk opening system
- Automatic gear shift paddle
- Steering wheel
- Window lifter
- Seat adjustment module



Tactile Switches

Type	Force (N)	Life (cycles)	Travel (mm)
KSCXA 35J LFS	3.5 +/-1	1.000,000	0.7+/-0.2
KSCXA 40J LFS	4.0 +/-1	1.000,000	0.7+/-0.2
KSCXA 55J LFS	5.5 +/-1.6	1,000,000	0.7+/-0.2
KSCXA 68J LFS	6.8 +/- 1.7	500,000	0.7+/-0.2
KSCXA 96J LFS	9.6 +/- 2.4	150,000	0.7+/-0.2

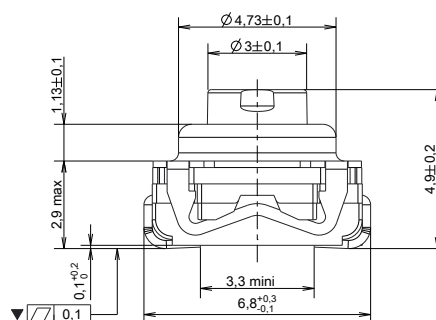
POWER: 0.002 VA min. / 1VA Max.

VOLTAGE: 2V min. / 24V Max.

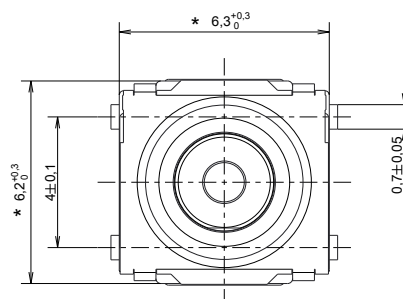
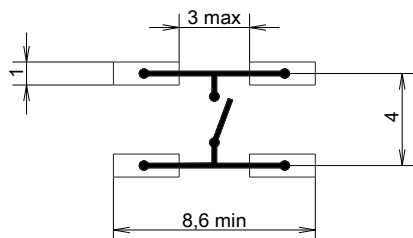
CURRENT: 1mA min. / 42mA Max.

OPERATING TEMPERATURE: -40°C / +95°C

CONTACT RESISTANCE: 0.1 ohm



PCB LAYOUT



Packaging

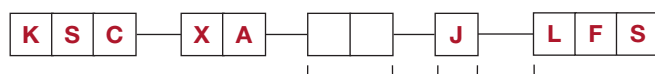
In reels of 1,400 pieces.

Dimensions of reels according to EIA RS481 or IEC 2863. External diameter 380 mm ± 2 mm.

How To Order

Our easy build-a-switch concept allows you to mix and match options to create the switch you need. To order, select desired option from each category and place it in the appropriate box.

For any part number different from those listed above, please consult your local representative.



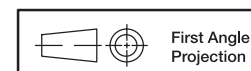
Operating Force

- 35 3.5 N
- 40 4.0 N
- 55 5.5 N
- 68 6.8 N
- 96 9.6 N

Termination

- J J bend

LFS Lead free compatible, silver plated



First Angle
Projection

Dimensions are shown: mm
Specifications and dimensions subject to change

