

CONTINUOUS VOLTAGE SMD CRYSTAL OSCILLATOR

ASDDV

Request Samples



Check Inventory



2.5 x 2.0 x 0.95mm
RoHS/RoHS II Compliant
MSL Level = 1



ESD Sensitive



Features

- Continuous Vdd operation from 1.6 V ~ 3.63 V
- Optimized for low current consumption
- Output Enable/Start & Disable/Stop function
- Output waveform CMOS/HCMOS/LVCMOS compatible
- Hermetically seam-sealed ceramic package

Applications

- Portable & wearable electronics
- Internet of Things (IoT)
- Consumer electronics
- Industrial control & automation
- Mobile communication

Electrical Specifications

Parameters	Min.	Typ.	Max.	Units	Notes
Frequency Range	1		160	MHz	
Operating Temperature Range	-40		+85	°C	See options
Storage Temperature Range	-55		+125	°C	
Overall Frequency Stability [Note 1]	-25		+25	ppm	See options
Supply Voltage (Vdd)	1.6		3.63	V	
Tri-state function	"1" (VIH≥0.7*Vdd) or Open: Oscillation; "0" (VIL<0.3*Vdd): No Oscillation/Hi Z			V	
Output Load			15	pF	CMOS
Output Voltage	VOH	0.9*Vdd		V	
	VOL		0.1*Vdd		
Aging 1 year @25°C± 3°C	-3.0		+3.0	ppm	
Aging 5 years @25°C± 3°C	-5.0		+5.0	ppm	
Symmetry @ ½ Vdd	45	50	55	%	
Start-up Time			5.0	ms	
Rise and Fall Time (Tr/Tf) @10%Vdd-90%Vdd, 15pF load	Vdd = 1.8V to 3.63V		8.0	ns	1MHz ≤ F ≤ 19.999MHz
			6.0		20MHz ≤ F ≤ 39.999MHz
			5.0		40MHz ≤ F ≤ 69.999MHz
			5.0		70MHz ≤ F ≤ 99.999MHz
			4.0		100MHz ≤ F ≤ 129.999MHz
			3.0		130MHz ≤ F ≤ 160MHz
	Vdd = 1.6V		10.0		1MHz ≤ F ≤ 19.999MHz
			8.0		20MHz ≤ F ≤ 39.999MHz
			6.0		40MHz ≤ F ≤ 69.999MHz
			6.0		70MHz ≤ F ≤ 99.999MHz
			5.0		100MHz ≤ F ≤ 129.999MHz
			5.0		130MHz ≤ F ≤ 160MHz
RMS Period Jitter @25°C± 3°C	Vdd = 3.0V to 3.63V		5.0	ps	
	Vdd = 1.6V to 2.5V		7.0		
RMS Phase Jitter @25°C± 3°C (10 - 39MHz: 12kHz to 5MHz) (>39MHz: 12kHz to 20MHz)			1.0	ps	
Disable Current			10.0	µA	

*Note 1: Overall frequency stability includes initial frequency tolerance @25°C± 3°C and stability over the operating temperature range.



5101 Hidden Creek Ln Spicewood TX 78669
Phone: 512-371-6159 | Fax: 512-351-8858
For terms and conditions of sales, please visit:
www.abracon.com

REVISED: 10-04-21

ABRACON IS
ISO9001-2015
CERTIFIED

CONTINUOUS VOLTAGE SMD CRYSTAL OSCILLATOR

ASDDV

Request Samples



Check Inventory



ESD Sensitive



2.5 x 2.0 x 0.95mm
RoHS/RoHS II Compliant
MSL Level = 1

Electrical Specifications *continued*

Parameters	Min.	Typ.	Max.	Units	Notes
Supply Current (I _{dd}) into 15pF Load @25°C± 3°C @ V _{dd} =3.3V			2.0	mA	1MHz ≤ F < 5.999MHz
			2.0		6MHz ≤ F < 9.999MHz
			3.0		10MHz ≤ F < 19.999MHz
			4.0		20MHz ≤ F < 29.999MHz
			5.0		30MHz ≤ F < 39.999MHz
			5.0		40MHz ≤ F < 45.999MHz
			5.0		46MHz ≤ F < 48.999MHz
			6.0		49MHz ≤ F < 50.999MHz
			8.0		51MHz ≤ F < 54.999MHz
			8.0		55MHz ≤ F < 60.999MHz
			12.5		61MHz ≤ F < 75.999MHz
			14.5		76MHz ≤ F < 80.999MHz
			14.5		81MHz ≤ F < 105.999MHz
			15.5		106MHz ≤ F < 119.999MHz
			15.5		120MHz ≤ F < 130.999MHz
		18.0	131MHz ≤ F < 139.999MHz		
		18.0	140MHz ≤ F < 149.999MHz		
		18.0	150MHz ≤ F < 156.999MHz		
		19.0	157MHz ≤ F < 160MHz		
Supply Current (I _{dd}) into 15pF Load @25°C± 3°C @ V _{dd} =2.5V			1.3	mA	1MHz ≤ F < 5.999MHz
			1.3		6MHz ≤ F < 9.999MHz
			2.0		10MHz ≤ F < 19.999MHz
			3.0		20MHz ≤ F < 29.999MHz
			3.5		30MHz ≤ F < 39.999MHz
			4.5		40MHz ≤ F < 45.999MHz
			4.5		46MHz ≤ F < 48.999MHz
			5.0		49MHz ≤ F < 50.999MHz
			6.5		51MHz ≤ F < 54.999MHz
			7.0		55MHz ≤ F < 60.999MHz
			10.0		61MHz ≤ F < 75.999MHz
			11.5		76MHz ≤ F < 80.999MHz
			11.5		81MHz ≤ F < 105.999MHz
			12.5		106MHz ≤ F < 119.999MHz
			12.5		120MHz ≤ F < 130.999MHz
		14.0	131MHz ≤ F < 139.999MHz		
		14.0	140MHz ≤ F < 149.999MHz		
		14.0	150MHz ≤ F < 156.999MHz		
		15.0	157MHz ≤ F < 160MHz		
Supply Current (I _{dd}) into 15pF Load @25°C± 3°C @ V _{dd} =1.8V			1.0	mA	1MHz ≤ F < 5.999MHz
			1.0		6MHz ≤ F < 9.999MHz
			1.6		10MHz ≤ F < 19.999MHz
			2.2		20MHz ≤ F < 29.999MHz
			2.5		30MHz ≤ F < 39.999MHz
			3.0		40MHz ≤ F < 45.999MHz
			3.5		46MHz ≤ F < 48.999MHz
			3.5		49MHz ≤ F < 50.999MHz
			3.5		51MHz ≤ F < 54.999MHz
			4.0		55MHz ≤ F < 60.999MHz
			9.0		61MHz ≤ F < 75.999MHz
			9.0		76MHz ≤ F < 80.999MHz
			10.0		81MHz ≤ F < 105.999MHz
			10.0		106MHz ≤ F < 119.999MHz
			10.5		120MHz ≤ F < 130.999MHz
		10.5	131MHz ≤ F < 139.999MHz		
		11.5	140MHz ≤ F < 149.999MHz		
		11.5	150MHz ≤ F < 156.999MHz		
		11.5	157MHz ≤ F < 160MHz		



5101 Hidden Creek Ln Spicewood TX 78669
Phone: 512-371-6159 | Fax: 512-351-8858
For terms and conditions of sales, please visit:
www.abracon.com

REVISED: 10-04-21

ABRACON IS
ISO9001-2015
CERTIFIED

CONTINUOUS VOLTAGE SMD CRYSTAL OSCILLATOR

ASDDV

Request Samples



Check Inventory

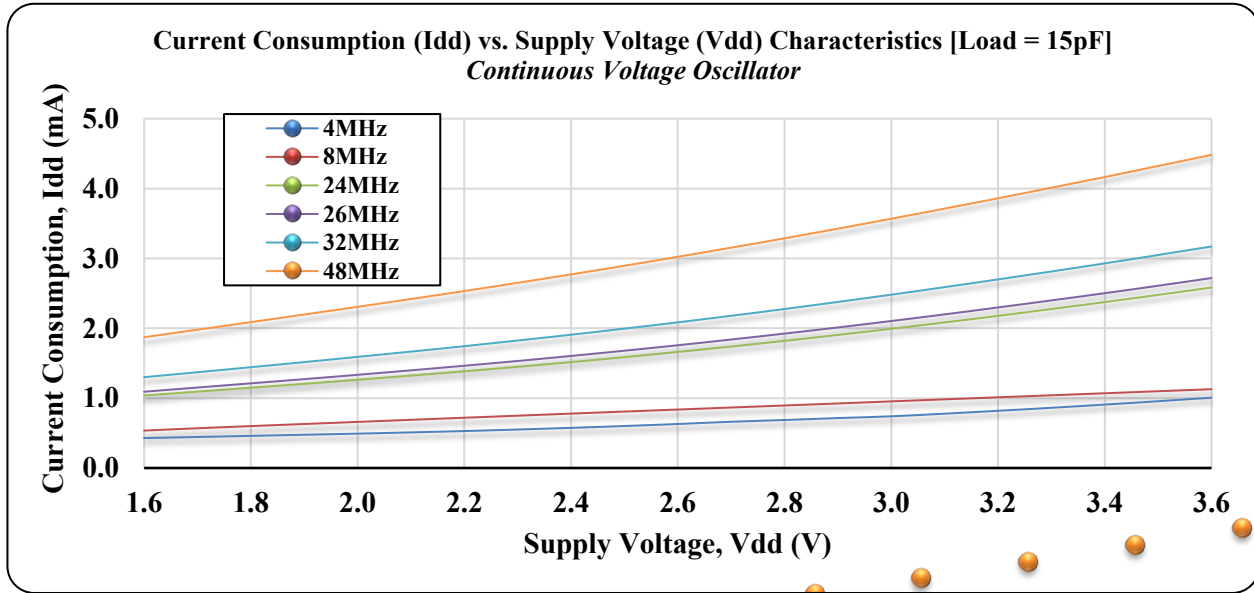


ESD Sensitive

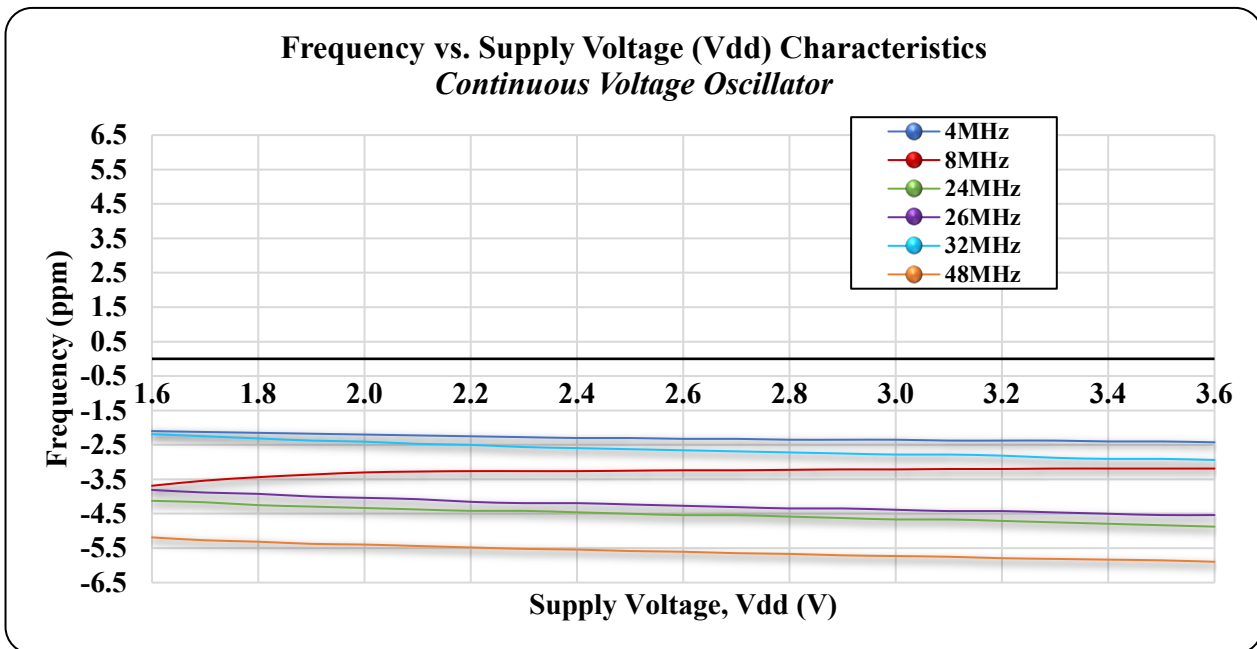


2.5 x 2.0 x 0.95mm
RoHS/RoHS II Compliant
MSL Level = 1

Typical Current Consumption (I_{dd}) vs. Supply Voltage (V_{dd}) Characteristics @25°C±3°C [Load = 15pF]



Typical Frequency vs. Supply Voltage (V_{dd}) Characteristics @ 25°C±3°C



CONTINUOUS VOLTAGE SMD CRYSTAL OSCILLATOR

ASDDV

Request Samples



Check Inventory



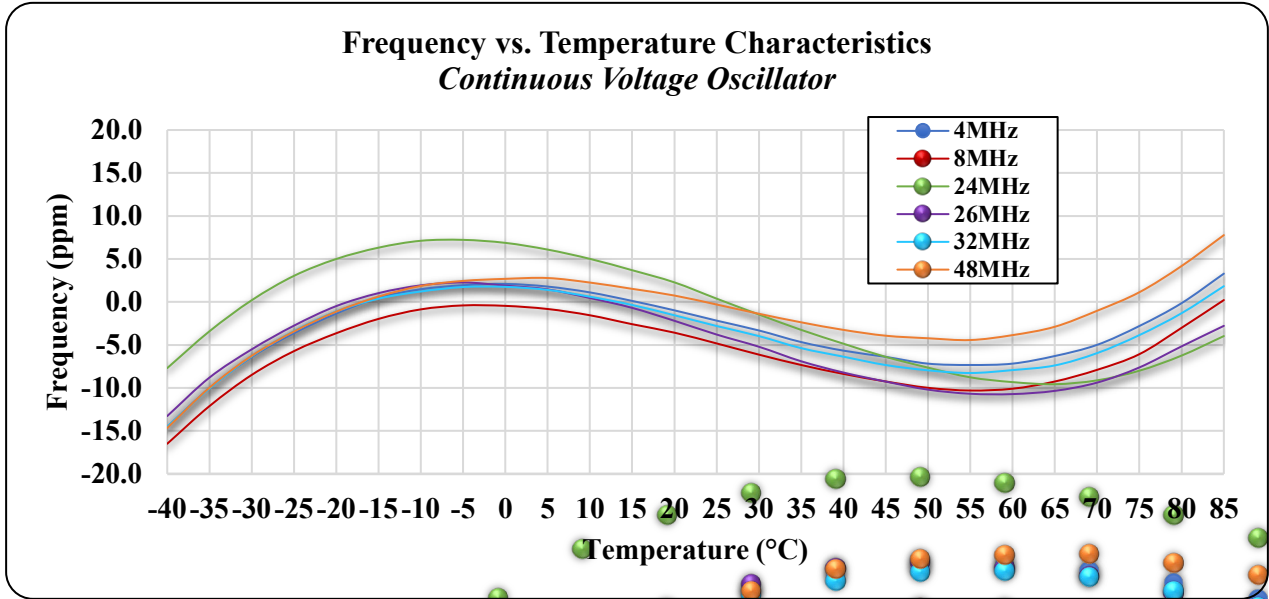
2.5 x 2.0 x 0.95mm
RoHS/RoHS II Compliant
MSL Level = 1



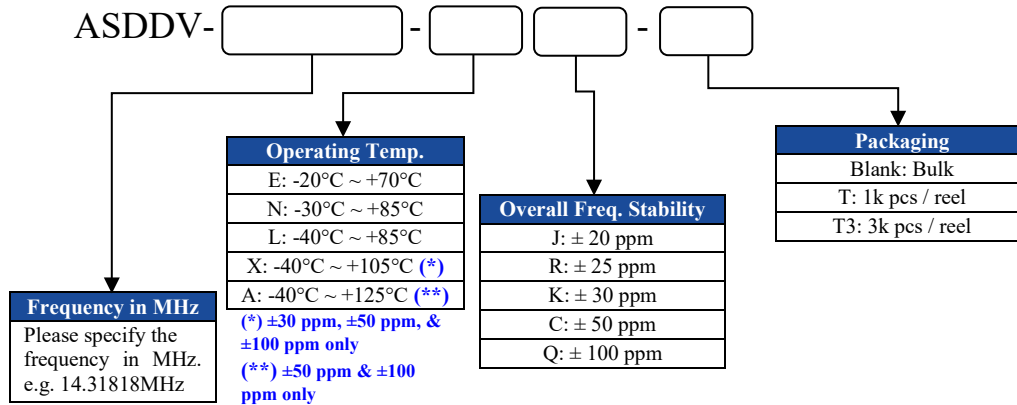
ESD Sensitive



Typical Frequency vs. Temperature Characteristics



Part Identification



CONTINUOUS VOLTAGE SMD CRYSTAL OSCILLATOR

ASDDV

Request Samples



Check Inventory

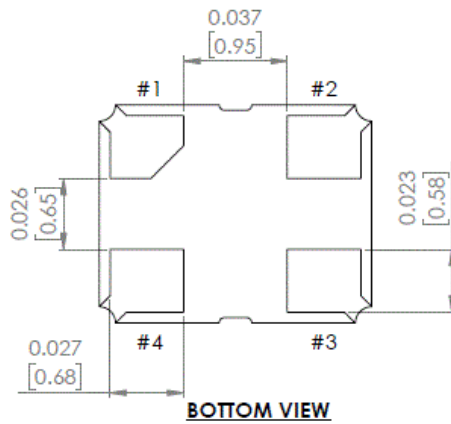
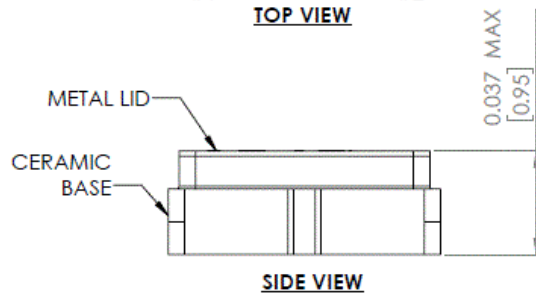
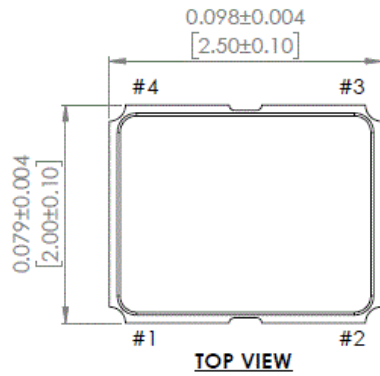


ESD Sensitive

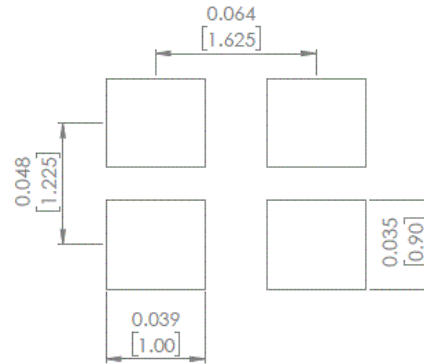


2.5 x 2.0 x 0.95mm
RoHS/RoHS II Compliant
MSL Level = 1

Mechanical Dimensions



Recommended Land Pattern



Pin #	Function
1	Tri-State
2	GND
3	Output
4	Vdd

Note: Recommended to use approximately 0.01µF bypass capacitor between PIN 2 and PIN 4

Dimensions: inches (mm)



5101 Hidden Creek Ln Spicewood TX 78669
Phone: 512-371-6159 | Fax: 512-351-8858
For terms and conditions of sales, please visit:
www.abracon.com

REVISED: 10-04-21

ABRACON IS
ISO9001-2015
CERTIFIED

CONTINUOUS VOLTAGE SMD CRYSTAL OSCILLATOR

ASDDV

Request Samples



Check Inventory



2.5 x 2.0 x 0.95mm
RoHS/RoHS II Compliant
MSL Level = 1



ESD Sensitive



Reflow Profile [JEDEC J-STD-020]

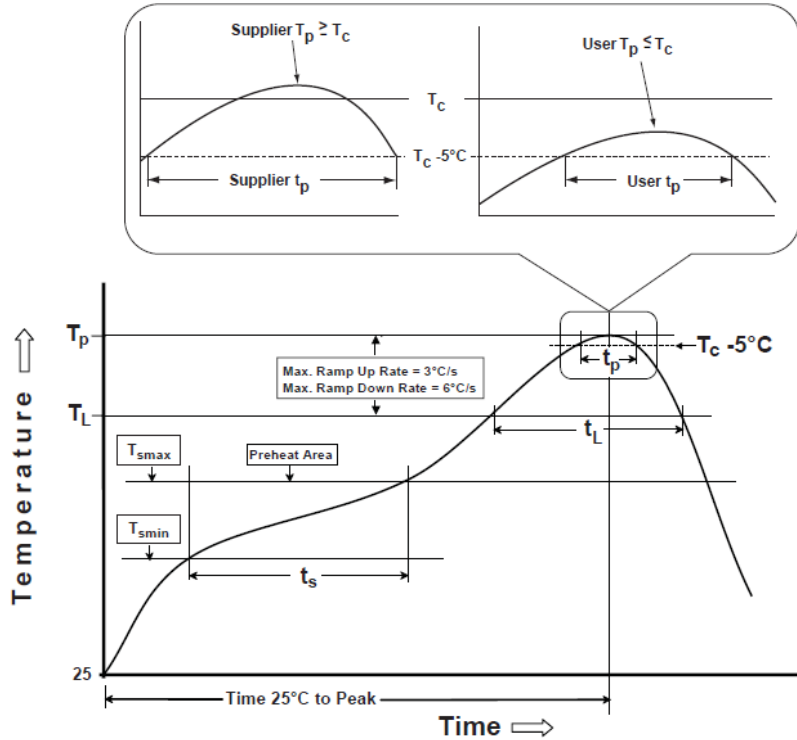


Table 1

SnPb Eutectic Process
Classification Temperatures (T_c)

Package Thickness	Volume mm ³ <350	Volume mm ³ ≥350
<2.5 mm	235 °C	220 °C
≥2.5 mm	220 °C	220 °C

Table 2

Pb-Free Process
Classification Temperatures (T_c)

Package Thickness	Volume mm ³ <350	Volume mm ³ 350-2000	Volume mm ³ >2000
<1.6 mm	260 °C	260 °C	260 °C
1.6 mm - 2.5 mm	260 °C	250 °C	245 °C
>2.5 mm	250 °C	245 °C	245 °C

Profile Feature	Sn-Pb Eutectic Assembly	Pb-Free Assembly
Preheat / soak		
Temperature minimum (T_{smin})	100°C	150°C
Temperature maximum (T_{smax})	150°C	200°C
Time (T_{smin} to T_{smax}) (t_s)	60 - 120 sec.	60 - 120 sec.
Average ramp-up rate (T_{smax} to T_p)	3°C/sec. max	3°C/sec. max
Liquidous temperature (T_L)	183°C	217°C
Time at liquidous (t_L)	60 - 150 sec.	60 - 150 sec.
Peak package body temperature (T_p)*	see Table 1	see Table 2
Time (t_p)** within 5°C of the specified classification temperature (T_c)	20 sec.	30 sec.
Ramp-down rate (T_p to T_{smax})	6°C/sec. max	6°C/sec. max
Time 25°C to peak temperature	6 min. max	8 min. max
Reflow cycles	2 max	2 max

*Tolerance for peak profile temperature (T_p) is defined as a supplier minimum and a user maximum.

**Tolerance for time at peak profile temperature (t_p) is defined as supplier minimum and a user maximum.



5101 Hidden Creek Ln Spicewood TX 78669
Phone: 512-371-6159 | Fax: 512-351-8858
For terms and conditions of sales, please visit:
www.abracon.com

REVISED: 10-04-21

ABRACON IS
ISO9001-2015
CERTIFIED

CONTINUOUS VOLTAGE SMD CRYSTAL OSCILLATOR

ASDDV

Request Samples



Check Inventory



ESD Sensitive

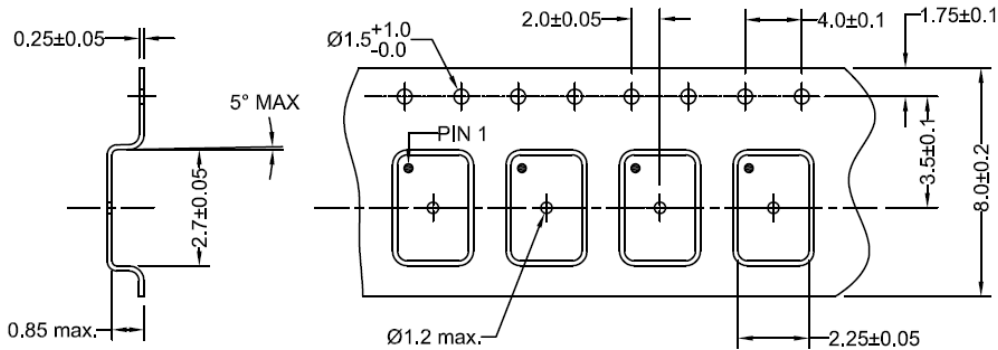


2.5 x 2.0 x 0.95mm
RoHS/RoHS II Compliant
MSL Level = 1

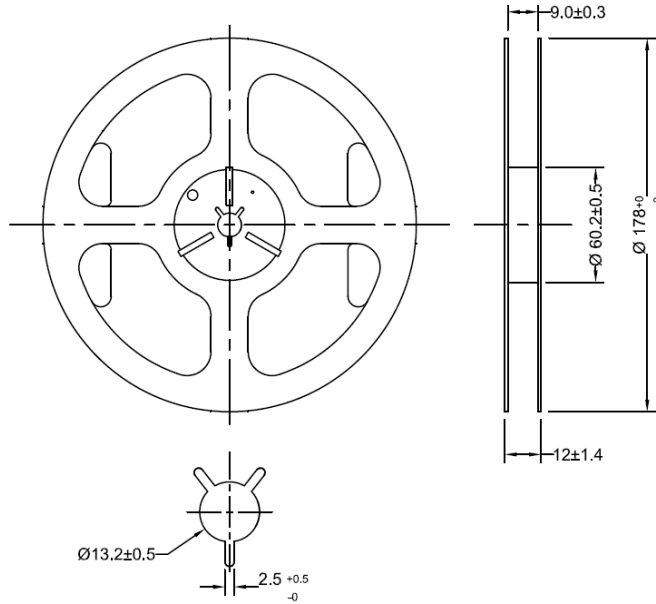
Packaging

T: 1,000pcs/reel

T3: 3,000pcs/reel



FEEDING (PULL) DIRECTION



Dimensions: inches (mm)

ATTENTION: Abracon LLC's products are COTS – Commercial-Off-The-Shelf products; suitable for Commercial, Industrial and, where designated, Automotive Applications. Abracon's products are not specifically designed for Military, Aviation, Aerospace, Life-dependent Medical applications or any application requiring high reliability where component failure could result in loss of life and/or property. For applications requiring high reliability and/or presenting an extreme operating environment, written consent and authorization from Abracon LLC is required. Please contact Abracon LLC for more information.



5101 Hidden Creek Ln Spicewood TX 78669
Phone: 512-371-6159 | Fax: 512-351-8858
For terms and conditions of sales, please visit:
www.abracon.com

REVISED: 10-04-21

ABRACON IS
ISO9001-2015
CERTIFIED