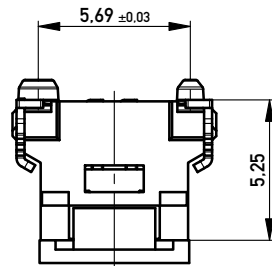
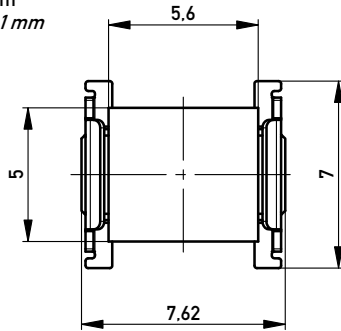


Anforderungsstufe 1
Performance Level 1

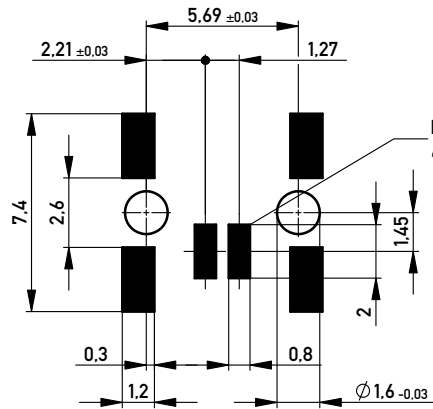
Kontaktbereich vergoldet
Mating Area gold plating

Anschlussbereich verzinkt 4-6 µm
Terminal Area 4-6 µm tin plating

Koplanarität der Anschlüsse ≤ 0,1 mm
Coplanarity Area of Termination ≤ 0,1 mm

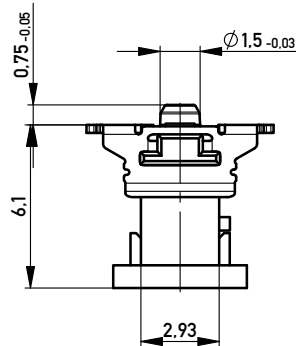
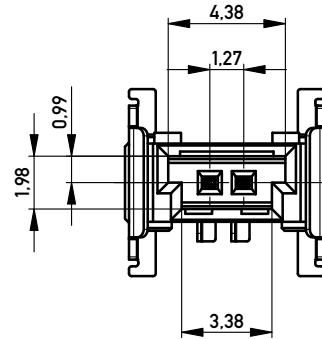
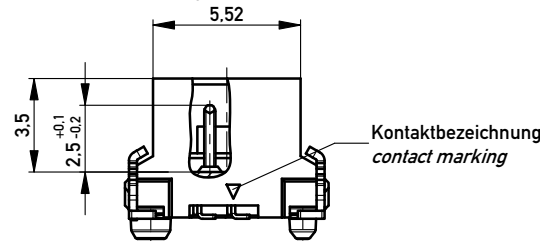


Leiterplatten-LAYOUT für SMT
PCB-LAYOUT for SMT

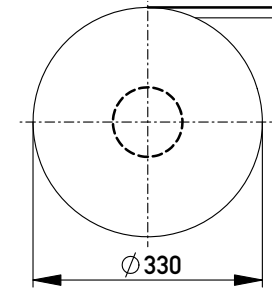


Kontaktbezeichnung bei Pin 1
contact marking at pin 1

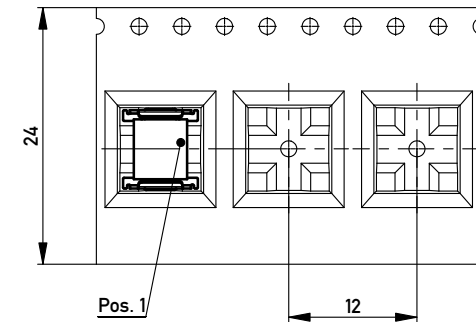
ohne Ansaughaube - without hood



Verpackt in Gurtverpackung
Tape on Reel Packaging
Verpackungseinheit: 650 Stück
Packaging unit: 650 pcs



Abspulrichtung - Reel off Direction



Information: vergrößerte Löt pads - enlarged solder pads All rights reserved. Only for Information. To ensure that this is the latest version of this drawing, please contact one of the ERNI companies before using.	Tolerances All Dimensions in mm	Scale 5:1	
		Designation M 1.27 SRC P, 2-polig BA1	
Subject to modification without prior notice. Drawing will not be updated.		284695	
www.ERNI.com		I A3	
d	03.04.2013	Class SRCP	
Index	Date		

Copyright by ERNI GmbH
Proprietary notice pursuant to ISO 9006 to be observed.