

HSF

NOTES:
 Current Rating: 0.5AMP
 Contact Resistance: 30mΩ max
 Withstand Voltage: 500V AC/DC
 Insulation Resistance: 100MΩ min
 Operation Temperature: -20℃ to +105℃

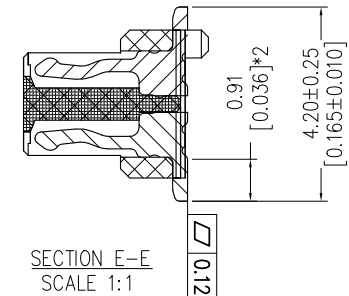
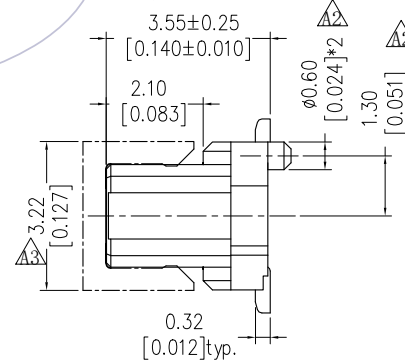
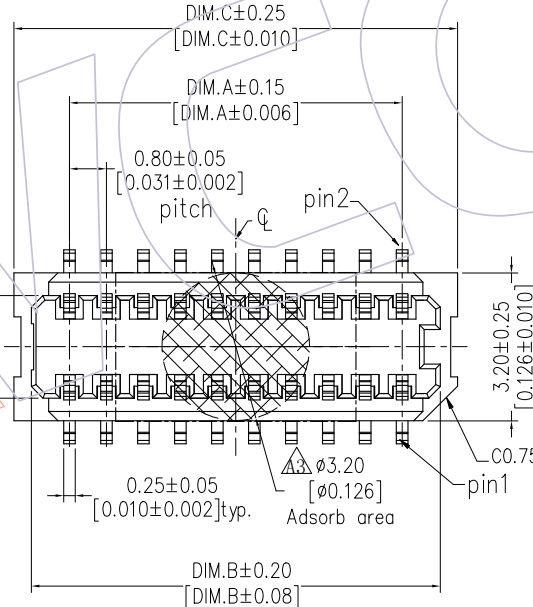
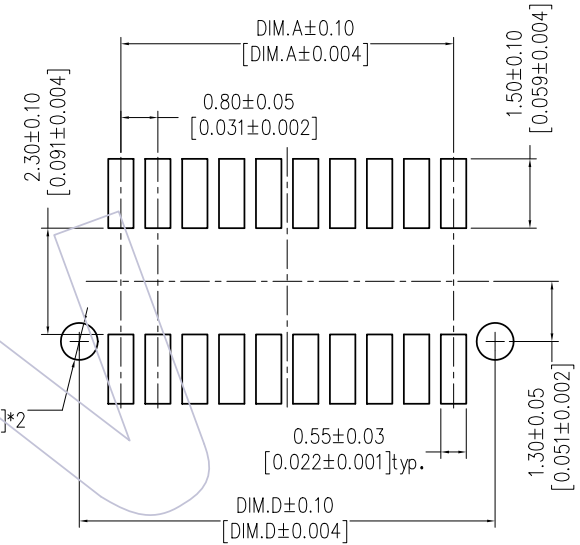
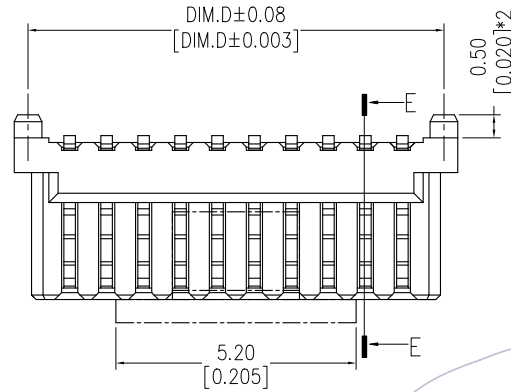
Contact Material: Phosphor Bronze
 Housing Material: PA9T Natural(UL94V-0)
 CAP Material: LCP Natural(UL94V-0)
 Contact plating: Au or Sn over Ni

Ordering Information

3612-P XXX - 035 XX R 01

No. of Pins	Housing High Male=H1	Contact Plating G1=3u"Gold G2=5u"Gold S1=3u"Gold/Tin S2=5u"Gold/Tin	T=Tube P=Tube+CAP R=Tape&Reel+CAP
-------------	-------------------------	---	---

Recommended P.C.B Layout (Top Side) (PCB BOARD TOLERANCE ±0.05)



A3	2020/08/06	CHANGE THE CAP		OPERATION	DRAW	DATE	SCALE	FIT	PART NO.
A2	2015/12/29	内柱位置: 1.20 → 1.30 大小: □0.75 → □0.60		x.xx ±0.40	HuiPan	2020/08/06	UNIT	mm	3612-PXXX-035XXR01
A1	2013/05/02	Modify The PART NO. 3612-PXXX-008XXR01 To 3612-PXXX-035XXR01		x.xx ±0.25	CHECK	DATE	SIZE	inch	TITLE:
A0	2013/03/22	NEW		x.xxx ±0.15	APPROVE	DATE	SHEET	1/2	0.80mm B TO B
REV	DATE	MODIFICATION DESCRIPTION	CHANGE	Angle ± 3'			PROJ.		"M" MALE 180° SMT TYPE
				DIM TOL					Customer NO.

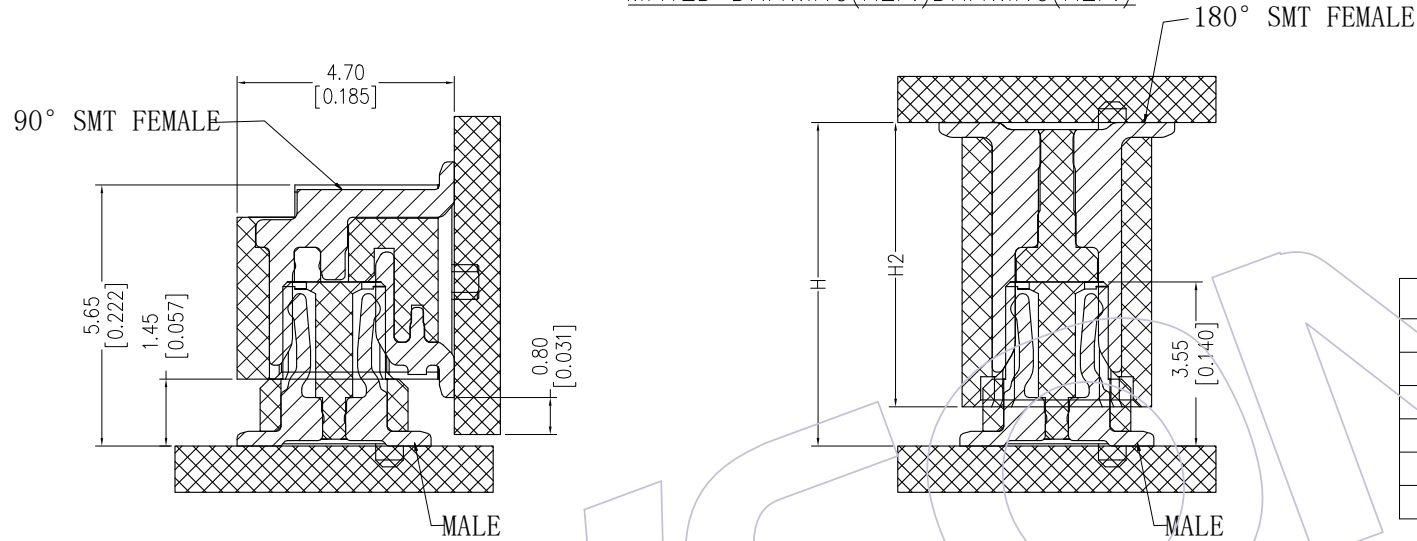
WCON

Http: www.wcon.com

WCON-Dongguan Tel: +86 769 85358920
 WCON-Kunshan Tel: +86 512 57468408
 Fax: +86 769 85358915
 Fax: +86 512 57468468
 E-mail: sales@wcon.com
 E-mail: salesks@wcon.com

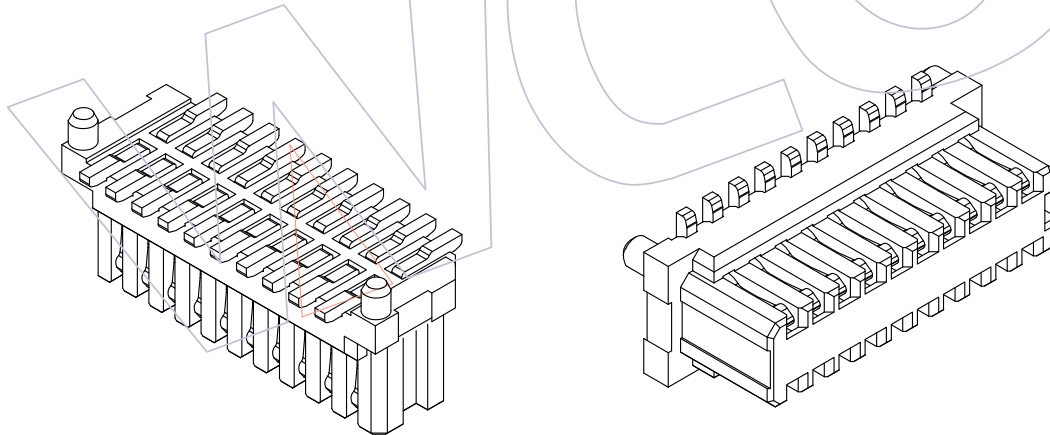
HSF

MATED DRAWING(REF.)DRAWING(REF.)



ASS'Y HEIGHT(H)	FEMALE(H2)	MALE(H1)
4.50	3.65	3.55
5.00	4.15	
5.65	4.70	
6.00	5.15	
6.50	5.65	
7.00	6.15	

17.00	17.60	16.85	15.20	40
16.20	16.80	16.05	14.40	38
15.40	16.00	15.25	13.60	36
14.60	15.20	14.45	12.80	34
13.80	14.40	13.65	12.00	32
13.00	13.60	12.85	11.20	30
12.20	12.80	12.05	10.40	28
11.40	12.00	11.25	9.60	26
10.60	11.20	10.45	8.80	24
9.80	10.40	9.65	8.00	22
9.00	9.60	8.85	7.20	20
8.20	8.80	8.05	6.40	18
7.40	8.00	7.25	5.60	16
6.60	7.20	6.45	4.80	14
5.80	6.40	5.65	4.00	12
5.00	5.60	4.85	3.20	10
DIM.D	DIM.C	DIM.B	DIM.A	PIN NO.



REV	DATE	MODIFICATION DESCRIPTION	CHANGE	OPERATION	DRAW	DATE	SCALE	FIT	PART NO.
A3	2020/08/06	CHANGE THE CAP	△	OPERATION	HuiPan	2020/08/06	UNIT	mm	3612-PXXX-035XXR01
A2	2015/12/29	内柱位置: 1.20 1.30 大小: □0.75 □0.60	△	x.x ±0.40	CHECK	DATE	inch		
A1	2013/05/02	Modify The PART NO. 3612-PXXX-008XXR01 To 3612-PXXX-035XXR01	△	x.xx ±0.25	APPROVE	DATE	A4		
AO	2013/03/22	NEW	—	x.xxx ±0.15			SHEET	2/2	
				Angle ± 3'			PROJ.	2/2	
				DIM TOL					

WCON

Http: www.wcon.com

WCON-Dongguan Tel: +86 769 85358920 Fax: +86 769 85358915 E-mail: sales@wcon.com	WCON-Kunshan Tel: +86 512 57468408 Fax: +86 512 57468468 E-mail: sales@wcon.com
---	--

TITLE: 0.80mm B TO B
"M" MALE 180° SMT TYPE

Customer NO.