

HSF

TECHNICAL SPECS:

Current Rating: 3.0AMP
 Contact Resistance: 10mΩ Max
 Dielectric Strength: Min 1000VRMS
 Mechanical Life: Min 500 cycles
 Mating Pin: $\phi 0.7$ to $\phi 0.9$ mm or 0.635SQ
 Forces: (polished steel gauge $\phi 0.76$ mm)
 Insertion: 150g Max/Pin, Withdrawal: 30g Min/Pin
 Operation Temperature: -40°C to $+105^{\circ}\text{C}$

Sleeve: Brass CuZn36Pb3(C36000)
 Contact Clip(6 finger): BeCu(C17200)
 Insulator Material: PPS+30%G.F(UL94V-0)

Ordering Information

3521-702 XX R XX 124 X 1

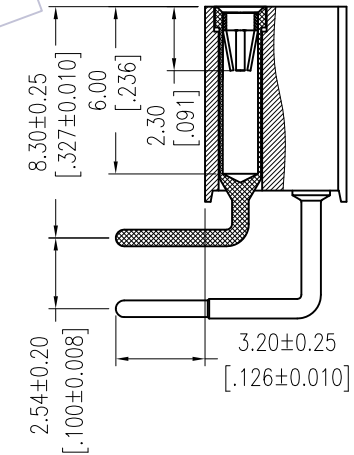
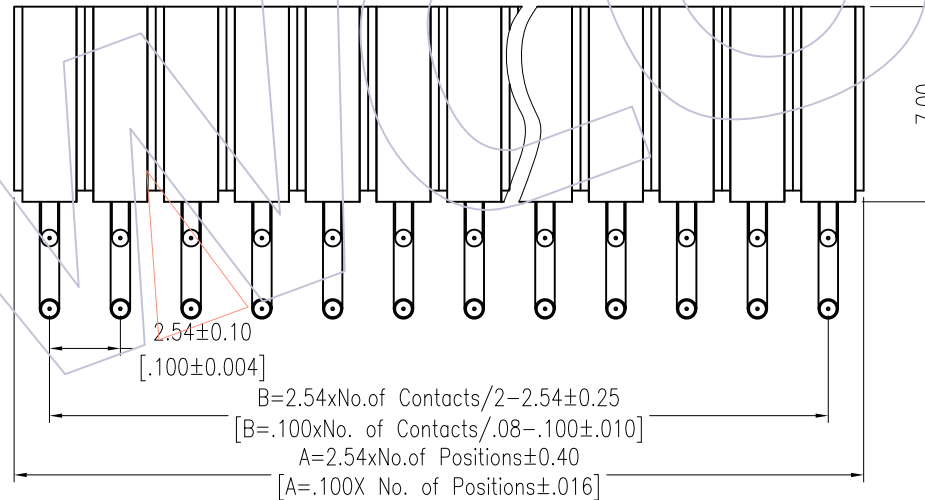
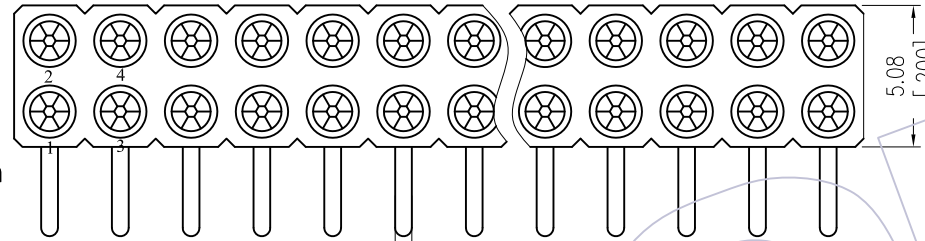
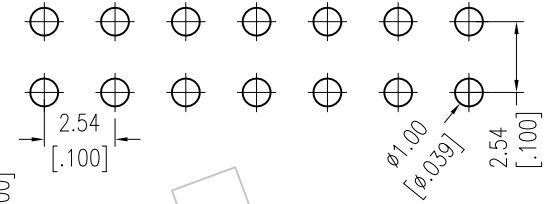
No. of Pin
2-40PIN

Contact Plating
S0=Gold Flash/Tin
S3=10u"Gold/Tin
S4=15u"Gold/Tin
S5=30u"Gold/Tin
SN=Tin

Packing
A=Tray
T=Tube

Item	Pitch	Mating
Standard	2.54	3511
Alternate		

Recommended P.C.B Layout(Top Side)
 (PCB BOARD TOLERANCE ± 0.05)



REV	DATE	MODIFICATION DESCRIPTION	CHANGE	OPERATION	DRAW	DATE	SCALE	FIT	PART NO.
A1	2018/03/07	Modify	-----	x.x ±0.40	Ding	2018/03/07	UNIT	mm	3521-702XXRXX124X1
AO	2012/10/18	NEW	-----	x.xx ±0.25	CHECK	DATE	SIZE	A4	TITLE: 2.54mm MACHINED FEMALE HEADER DUAL ROW 90° H=7.00 L=12.43
				x.xxx ±0.15	APPROVE	DATE	SHEET	1/1	Customer NO.
				Angle ± 3'			PROJ.		
				DIM TOL					

WCON

Http: www.wcon.com

WCON-Dongguan
 Tel: +86 769 85358920
 Fax: +86 769 85358915
 E-mail: sales@wcon.com

WCON-Kunshan
 Tel: +86 512 57468408
 Fax: +86 512 57468468
 E-mail: salesks@wcon.com