

HSF

NOTES:

- Current Rating: 3.0AMP
- Contact Resistance: 20mΩ Max
- Withstand Voltage: 1000V AC/DC
- Insulation Resistance: 1000MΩ Min
- Operation Temperature: -40°C to +105°C
- Contact Material: Phosphor Bronze
- Contact plating: Au Or Sn over Ni
- Insulator Material: LCP+30%G.F UL94V-0

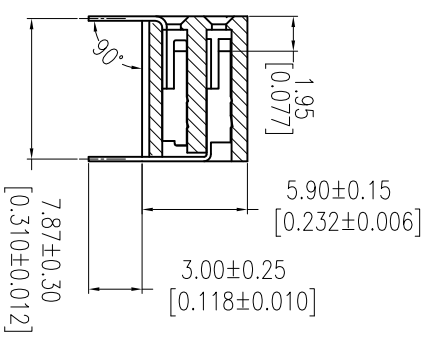
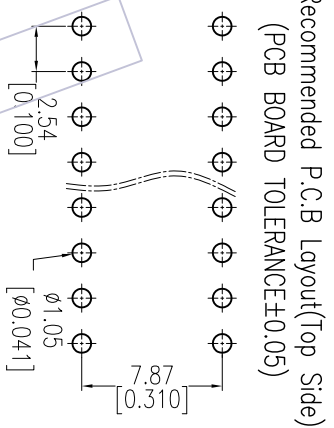
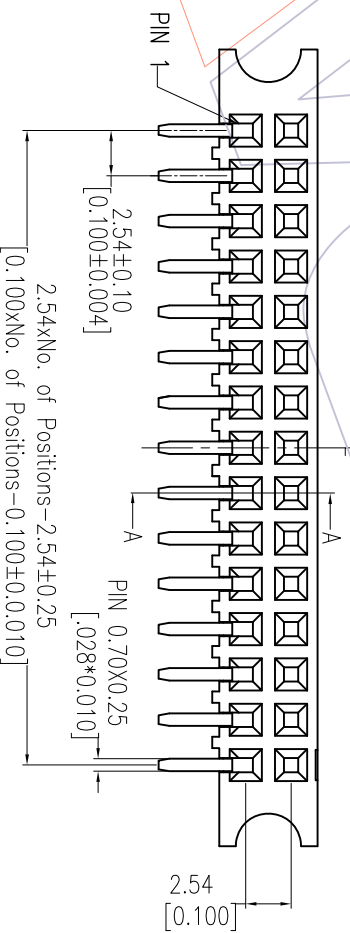
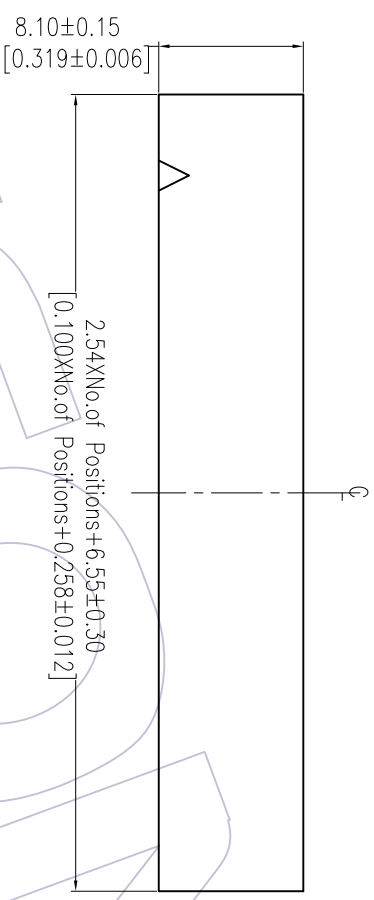
Ordering Information

2159A - 2 XX R XX DUN X 1

- No. of Pins per ROW: 02-40PIN
- Contact Plating: G=Gold Flash
- G3=10μ"Gold
- G4=15μ"Gold
- G5=30μ"Gold
- S0=Gold Flash/Tin
- S3=10μ"Gold/Tin
- S4=15μ"Gold/Tin
- S5=30μ"Gold/Tin
- SN=Tin
- SM=Mate Tin

Packing:
A=Tray
T=Tube

Item	Pitch	Mating
Standard	2.54	1125B
Alternate		



REV	DATE	MODIFICATION DESCRIPTION
A0	2013/01/14	NEW

OPERATION	DRAW	DATE
X.X	Wang	2013/01/14
X.XXX	CHECK	DATE
X.XXX	APPROVE	DATE
Angle	± °	
DIM	TOL	

PART NO.	2159A-2XXRXXDUNX1
TITLE:	PH2.54mm DUAL ROW 90° DIP H=5.9
CUSTOMER NO.	

WCON

Http: www.wcon.com

WCON-Dongguan
Tel: +86 769 85358920
Fax: +86 769 85358915
E-mail: sales@wcon.com

WCON-Kunshan
Tel: +86 512 57468408
Fax: +86 512 57468468
E-mail: sales@wcon.com