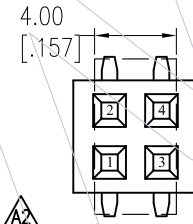
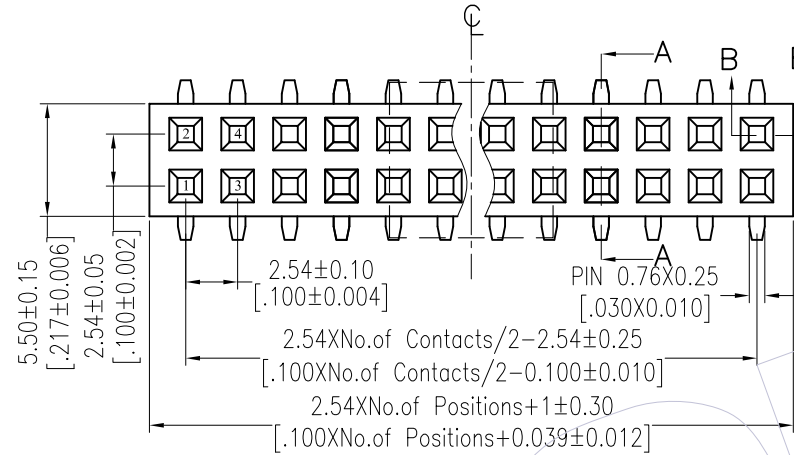
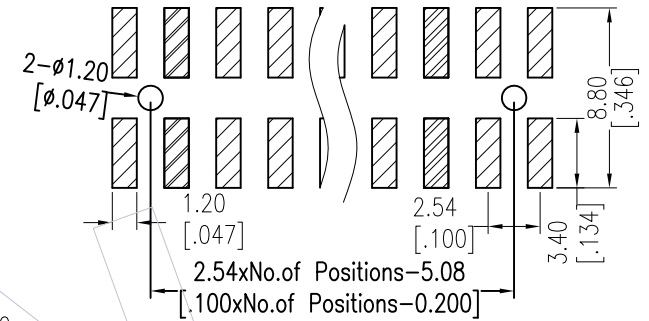


# HSF

NOTES:  
 Current Rating: 3.0AMP  
 Contact Resistance: 20mΩ Max  
 Withstand Voltage: 1000V AC/DC  
 Insulation Resistance: 1000MΩ Min  
 Operation Temperature: -40°C to +105°C

Contact Material: Phosphor Bronze Or Brass  
 Contact plating: Au Or Sn over Ni  
 Insulator Material: PA9T+33%G.F UL94V-0

Recommended P.C.B Layout (Top Side)  
 (PCB BOARD TOLERANCE ±0.05)



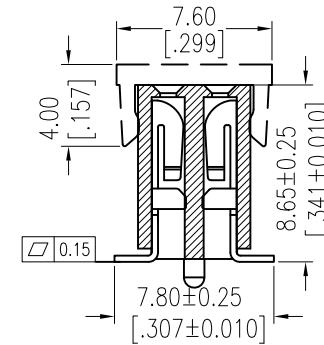
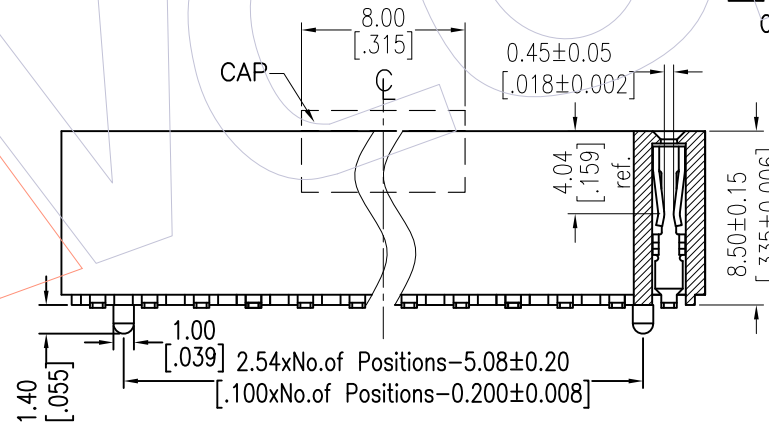
CAP for 2\*2P-2\*3P

TITLE	PART NO.
TYPE 1	2185-2XXMXXCUNX1
TYPE 2	2185-2XXMXXCUNX2

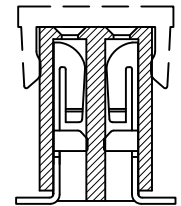
## Ordering Information

2185 - 2 XX M XX CUN X X

No. of Pins per ROW: 02-40PIN  
 Contact Plating: G0=Gold Flash, G3=10μ"Gold, G4=15μ"Gold, G5=30μ"Gold, S0=Gold Flash/Tin, S3=10μ"Gold/Tin, S4=15μ"Gold/Tin, S5=30μ"Gold/Tin, SN=Tin, SM=Matte Tin  
 Packing: T=Tube, P=Tube+CAP, R=Tape&Reel+CAP  
 Series No. 1=TYPE 1, 2=TYPE 2



TYPE2 WITH POST



TYPE1 W/O POST

Item	Pitch	Mating
Standard	2.54	1115/1120/1125
Alternate		

REV	DATE	MODIFICATION DESCRIPTION	CHANGE	OPERATION	DRAW	DATE	SCALE	FIT	PART NO.
A2	2018/04/28	Add CAP for 2*2P-2*3P	-----	x.X ±0.40	Surong Xu	2018/04/28	UNIT mm		SEE TABLE
A1	2014/11/27	Modify drawing	-----	x.XX ±0.25	CHECK	DATE	SIZE A4		TITLE: FH2.54mm DUAL ROW 180°SMT H=8.50
A0	2012/08/15	NEW	-----	x.XXX ±0.15	APPROVE	DATE	SHEET 1/1		Customer NO.
				Angle ± 3'			PROJ.		

**WCON**  
 Http: www.wcon.com

WCON-Dongguan Tel: +86 769 85358920 Fax: +86 769 85358915 E-mail: sales@wcon.com

WCON-Kunshan Tel: +86 512 57468408 Fax: +86 512 57468468 E-mail: salesks@wcon.com