

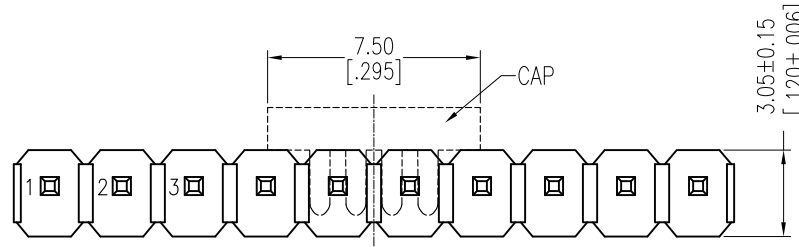
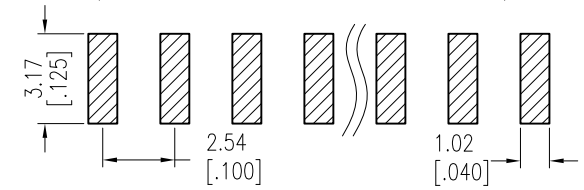
# HSF

**NOTES:**

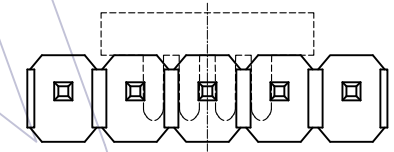
Rated Current:3.0AMP.  
 Contact Resistance:20mΩ Max.  
 Withstand Voltage:1000V AC/DC  
 Insulation Resistance:1000MΩ Min.  
 Operation Temperature:-40°C to +105°C

Contact Material:Brass  
 Contact Plating:Au or Sn Over Ni  
 Insulator Material:PA9T+33%G.F UL94V-0 BK

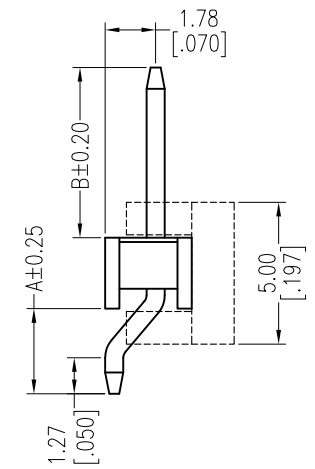
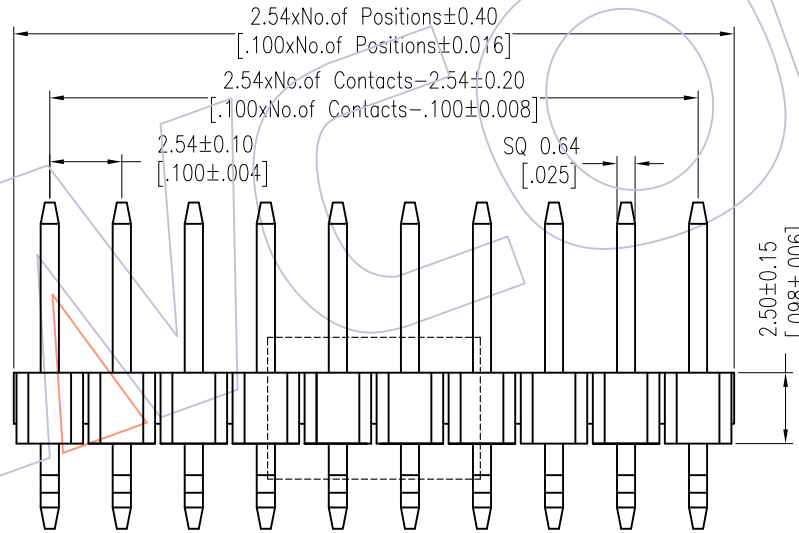
Recommended P.C.B Layout (Top Side)  
 (PCB BOARD TOLERANCE±0.05)



Dual Numbers



Odd Number



## Ordering Information

1125B-11 XX XX Z XXX C R XX  $\Delta$

- No.of Pins: 02~40
- Contact Plating: G0=Gold Flash, G3=10u"Gold, G4=15u"Gold, G5=30u"Gold, S0=Gold Flash/Tin, S3=10u"Gold/Tin, S4=15u"Gold/Tin, S5=30u"Gold/Tin, SN=Tin, SM=Matte Tin
- Pin Length: L=A+B+3.0, Standard:120=12.0
- Insulator Material: C=PA9T
- Packing: A=Tray, T=Tube, P=Tube+CAP, R=Tape&Reel+CAP
- Series No.: 01~99

Item	Pin Length	A	B	Mating
Standard	12.00	3.00	6.00	2134
Alternate				

REV	DATE	MODIFICATION DESCRIPTION	CHANGE	OPERATION	DRAW	DATE	SCALE	Fit	PART NO.
				x.x ±0.40	Ruipeng	2018/01/22	UNIT	mm	1125B-11XXXXZXXRCRXX
A1	2018/01/22	Modify P/N	$\Delta$	x.xx ±0.25	CHECK	DATE	SIZE	A4	TITLE: PH2.54 SINGLE ROW 90°SMT H=2.5 W=3.05
A0	2012/05/15	NEW	-----	x.xxx ±0.15	APPROVE	DATE	SHEET	1/1	Customer NO.
				Angle ± 3'			PROJ.		
				DIM TOL					

# WCON

Http: www.wcon.com

WCON-Dongguan Tel: +86 769 85358920 Fax: +86 769 85358915 E-mail: sales@wcon.com  
 WCON-Kunshan Tel: +86 512 57468408 Fax: +86 512 57468468 E-mail: salesks@wcon.com