

SOT-23 Plastic-Encapsulate Transistors

FMMT* 18 TRANSISTOR (BDB)

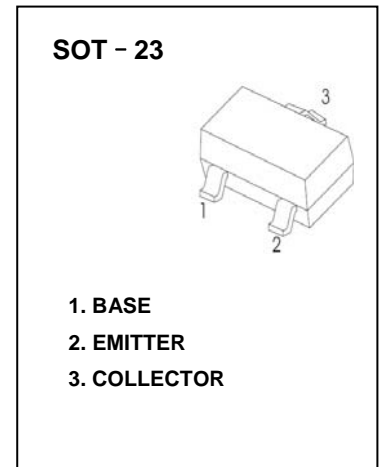
FEATURE

- Extremely low saturation voltage
- Complementary PNÚ type: FMMTĪ 18

APPLICATION

- Gate Driving MOSFETs and IGBTs
- DC-DC converters
- Charging circuit
- Power switches

MARKING: * 18



MAXIMUM RATINGS ($T_a=25^\circ\text{C}$ unless otherwise noted)

Symbol	Parameter	Value	Unit
V_{CBO}	Collector-Base Voltage	20	V
V_{CEO}	Collector-Emitter Voltage	20	V
V_{EBO}	Emitter-Base Voltage	5	V
I_B	Base Current	0.5	A
I_C	Collector Current -Continuous	2.5	A
P_C	Total Collector Dissipation	350	mW
$R_{\theta JA}$	Thermal Resistance from Junction to Ambient	357	$^\circ\text{C/W}$
T_J, T_{stg}	Operation Junction and Storage Temperature Range	-55~+150	$^\circ\text{C}$

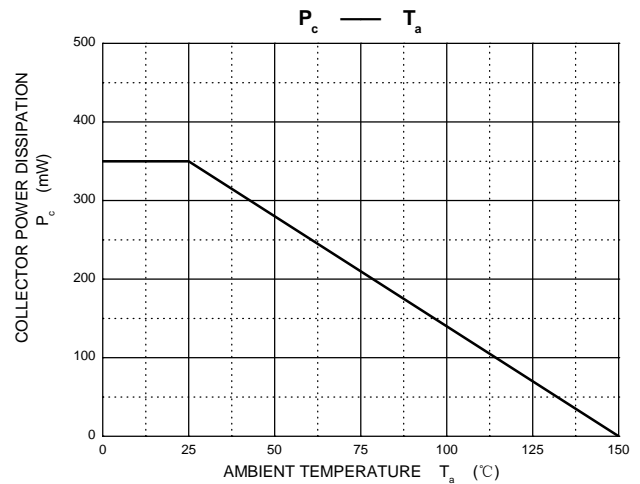
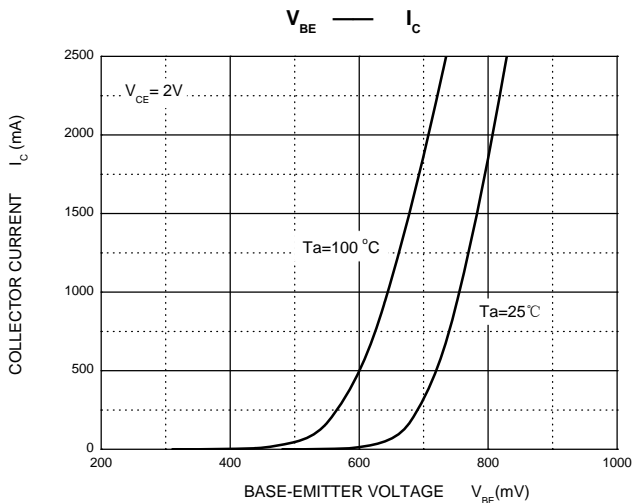
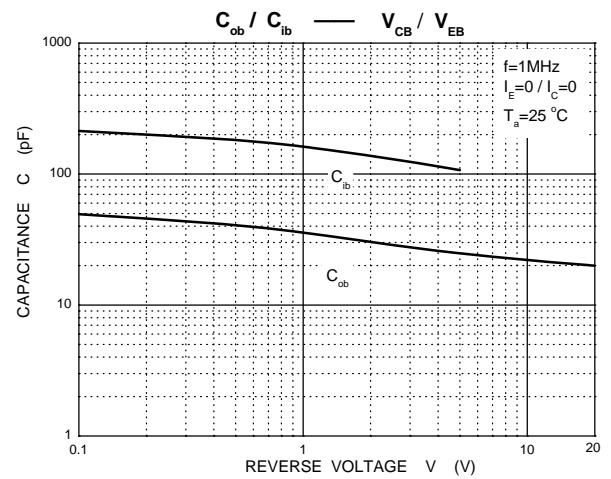
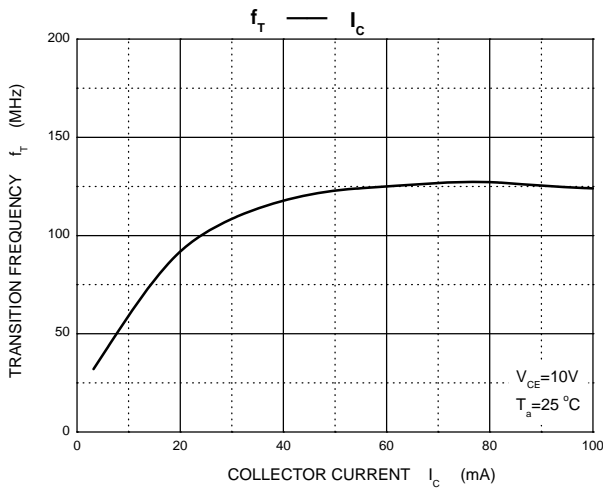
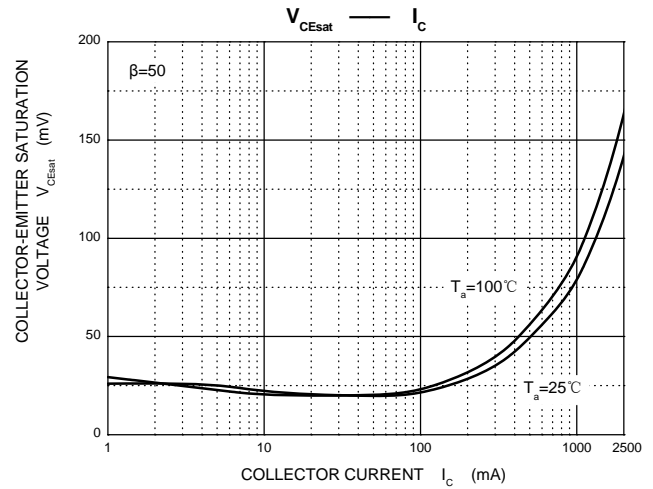
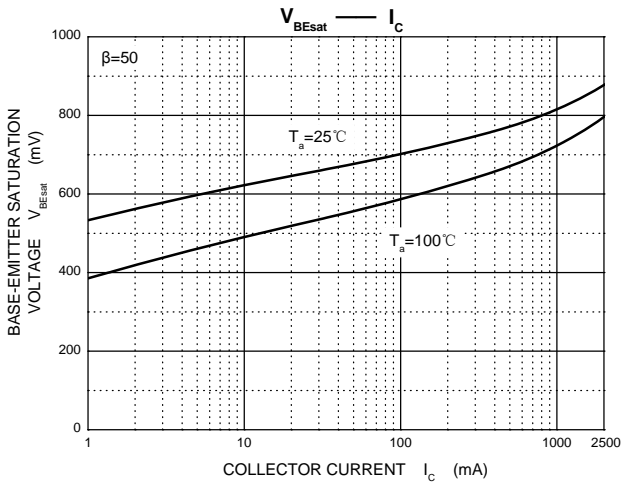
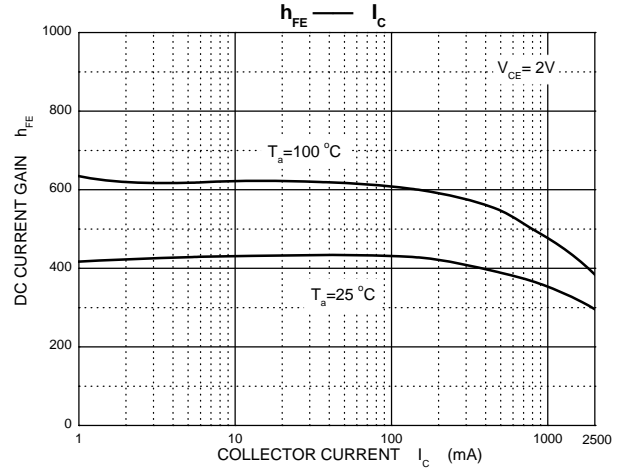
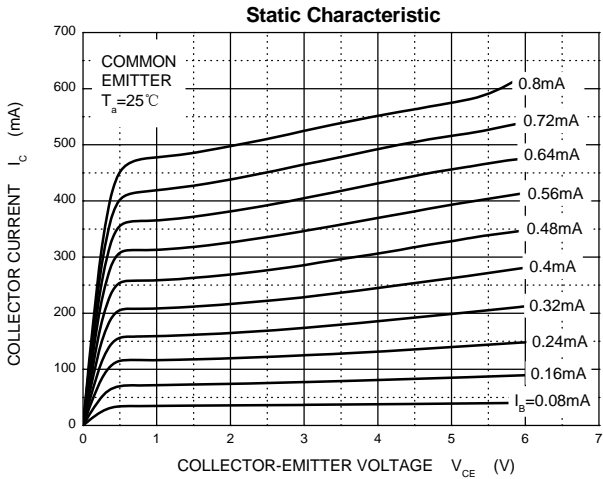
ELECTRICAL CHARACTERISTICS (T_a=25°C unless otherwise specified)

Parameter	Symbol	Test conditions	Min	Typ	Max	Unit
Collector-base breakdown voltage	V _{(BR)CBO}	I _C =100μA, I _E =0	20			V
Collector-emitter breakdown voltage (note 1)	V _{(BR)CEO}	I _C =10mA, I _B =0	20			V
Emitter-base breakdown voltage	V _{(BR)EBO}	I _E =100μA, I _C =0	5			V
Collector cut-off current	I _{CBO}	V _{CB} =16V, I _E =0			100	nA
Emitter cut-off current	I _{EBO}	V _{EB} =4V, I _C =0			100	nA
DC current gain (note 1)	h _{FE(1)}	V _{CE} =2V, I _C =10mA	200			
	h _{FE(2)}	V _{CE} =2V, I _C =0.2A	300			
	h _{FE(3)}	V _{CE} =2V, I _C =2A	200			
	h _{FE(4)}	V _{CE} =2V, I _C =4A	100			
Collector-emitter saturation voltage (note 1)	V _{CE(sat)1}	I _C =0.1A, I _B =10mA			15	mV
	V _{CE(sat)2}	I _C =1A, I _B =10mA			150	mV
	V _{CE(sat)3}	I _C =2A, I _B =10mA			200	mV
Base-emitter saturation voltage (note 1)	V _{BE(sat)}	I _C =2A, I _B =50mA			1	V
Base-emitter on voltage (note 1)	V _{BE(on)}	I _C =2A, V _{CE} =2V			1	V
Output capacitance	C _{ob}	V _{CB} =10V, f=1MHz			30	pF
Turn-on time	t _(on)	V _{CC} =10V, I _C =1A, I _{B1} =-I _{B2} =10mA		170		ns
Turn-off time	t _(off)			400		ns
Transition frequency	f _T	V _{CE} =10V, I _C =50mA, f=100MHz	100			MHz

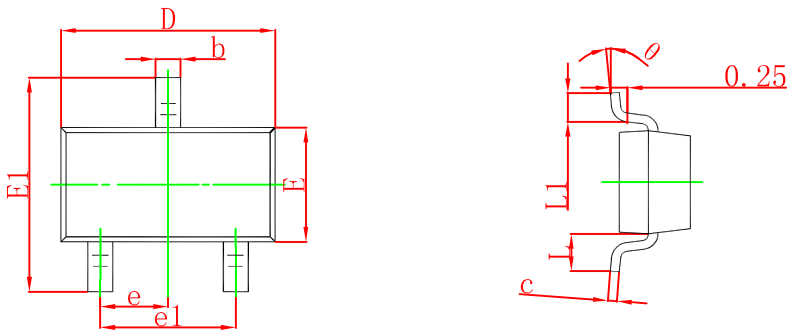
Notes :

1. Pulse test: Pulse width≤300μs, duty cycle≤2.0%.

Typical Characteristics



SOT-23 Package Outline Dimensions



Symbol	Dimensions In Millimeters		Dimensions In Inches	
	Min	Max	Min	Max
A	0.900	1.150	0.035	0.045
A1	0.000	0.100	0.000	0.004
A2	0.900	1.050	0.035	0.041
b	0.300	0.500	0.012	0.020
c	0.080	0.150	0.003	0.006
D	2.800	3.000	0.110	0.118
E	1.200	1.400	0.047	0.055
E1	2.250	2.550	0.089	0.100
e	0.950 TYP		0.037 TYP	
e1	1.800	2.000	0.071	0.079
L	0.550 REF		0.022 REF	
L1	0.300	0.500	0.012	0.020
θ	0°	8°	0°	8°

SOT-23 Suggested Pad Layout



Note:

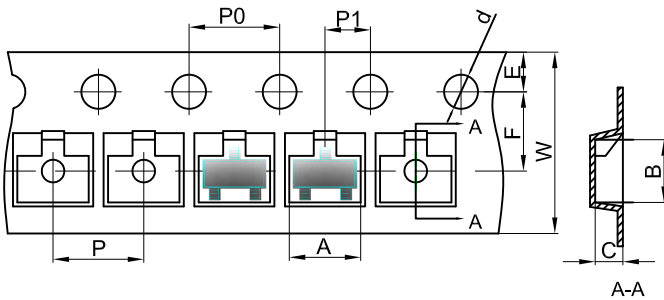
1. Controlling dimension: in millimeters.
2. General tolerance: ± 0.05 mm.
3. The pad layout is for reference purposes only.

NOTICE

JSCJ reserves the right to make modifications, enhancements, improvements, corrections or other changes without further notice to any product herein. JSCJ does not assume any liability arising out of the application or use of any product described herein.

SOT-23 Tape and Reel

SOT-23 Embossed Carrier Tape



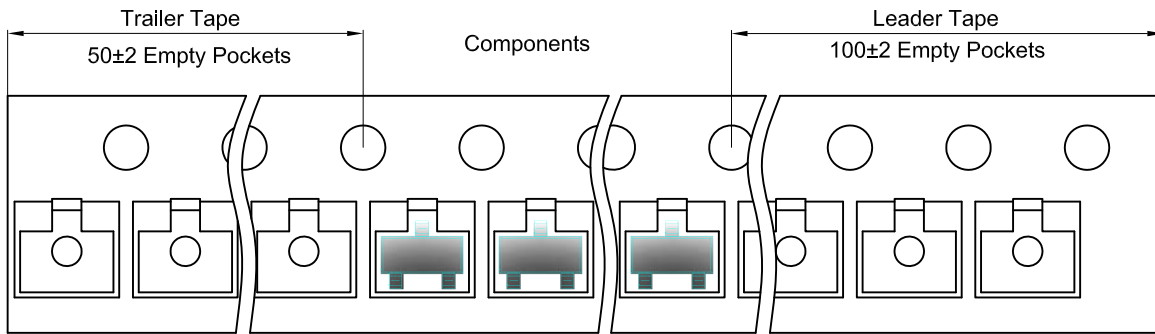
Packaging Description:

SOT-23 parts are shipped in tape. The carrier tape is made from a dissipative (carbon filled) polycarbonate resin. The cover tape is a multilayer film (Heat Activated Adhesive in nature) primarily composed of polyester film, adhesive layer, sealant, and anti-static sprayed agent. These reeled parts in standard option are shipped with 3,000 units per 7" or 17.8cm diameter reel. The reels are clear in color and is made of polystyrene plastic (anti-static coated).

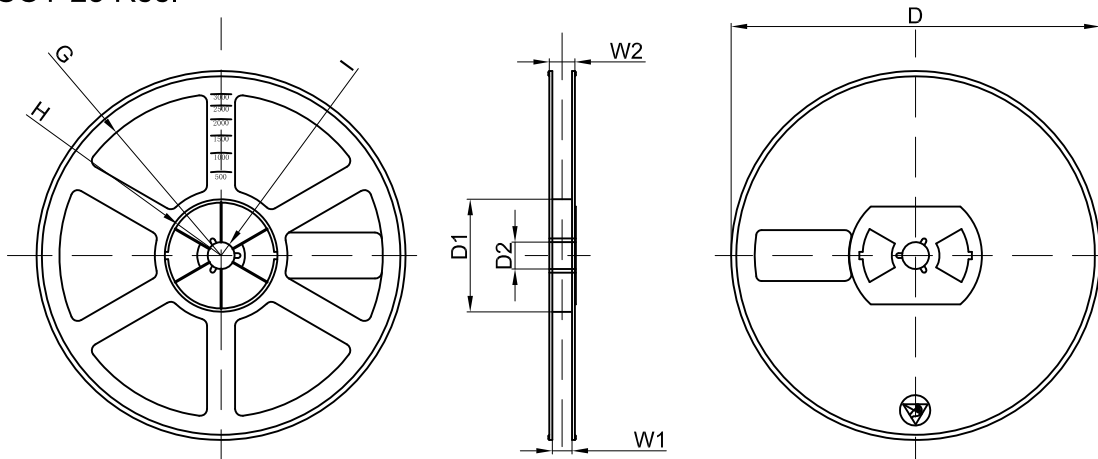
Dimensions are in millimeter

Pkg type	A	B	C	d	E	F	P0	P	P1	W
SOT-23	3.15	2.77	1.22	Ø1.50	1.75	3.50	4.00	4.00	2.00	8.00

SOT-23 Tape Leader and Trailer



SOT-23 Reel



Dimensions are in millimeter

Reel Option	D	D1	D2	G	H	I	W1	W2
7"Dia	Ø178.00	54.40	13.00	R78.00	R25.60	R6.50	9.50	12.30

REEL	Reel Size	Box	Box Size(mm)	Carton	Carton Size(mm)	G.W.(kg)
3000 pcs	7 inch	45,000 pcs	203×203×195	180,000 pcs	438×438×220	